

NOTES: UNLESS OTHERWISE SPECIFIED

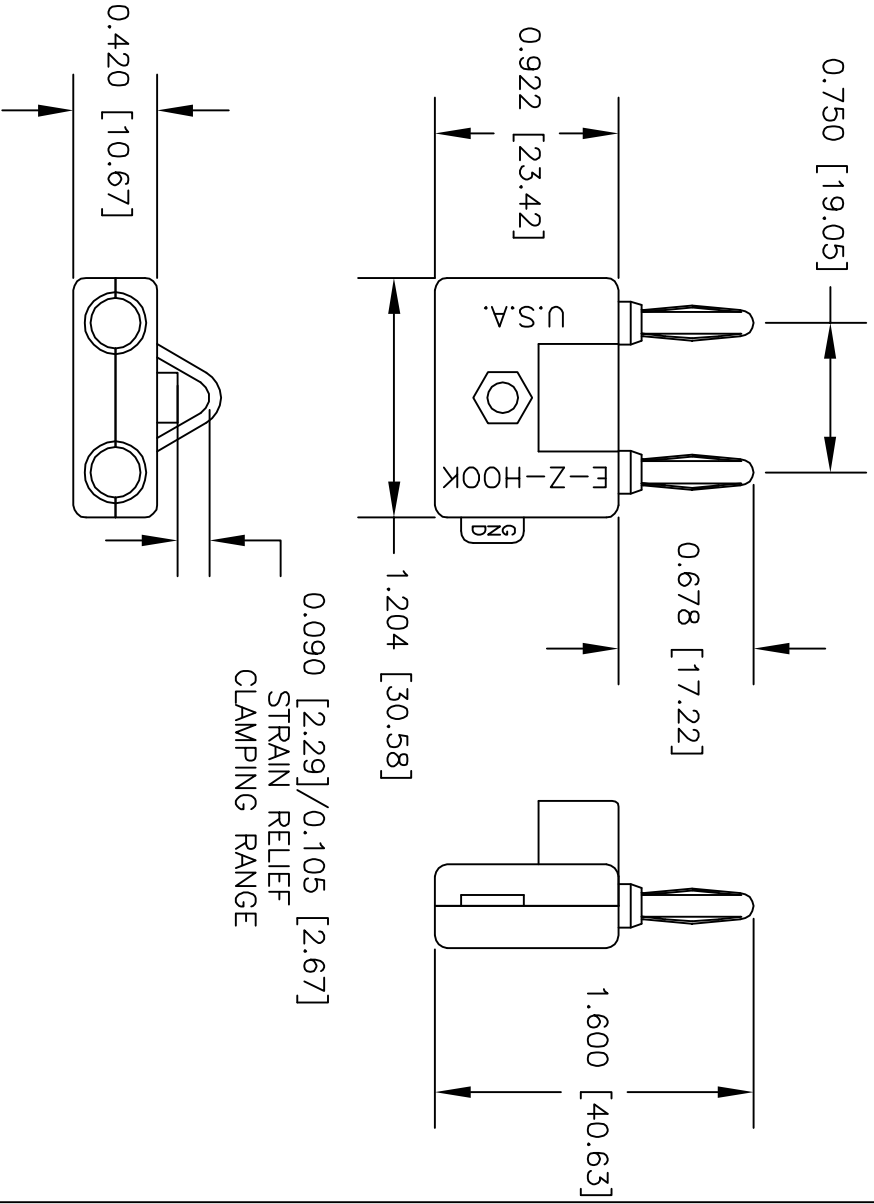
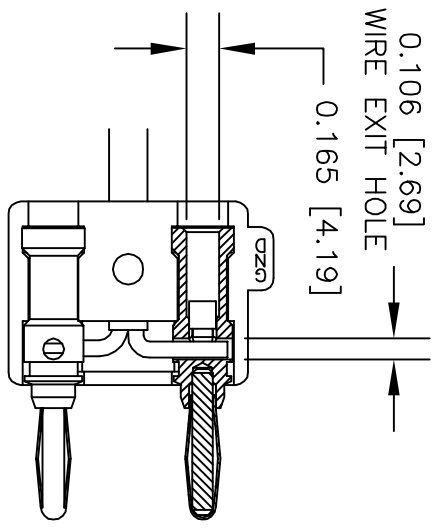
1. CONSTRUCTION:
HOUSING: NYLON 6,6 33% GLASS FILLED.
AVAILABLE IN BLK OR RED.

FRAME: BRASS, NICKEL PLATED.
CONTACT: BeCu OR PHOSPHOR BRONZE. NICKEL PLATED.

HARDWARE: BLACK OXIDE STEEL WIRE CLAMPING SET SCREW, STAINLESS STEEL HOUSING CLAMPING NUT & SCREW.

2. PERFORMANCE:
MAXIMUM CURRENT: 3.0 AMPS
MAXIMUM VOLTS: 1400 VRMS
MAXIMUM TEMPERATURE: 167°F (75°C)

3. FEATURES:
AVAILABLE WITH RESISTOR.



		UNLESS OTHERWISE SPECIFIED DIMENSIONS ARE IN INCHES TOLERANCES ARE: FRACTIONS DECIMALS ANGLES ± .XX ± .XXX ±		CONTRACT NO.		APPROVALS		DATE		DESCRIPTION	
		MATERIAL SEE NOTE.				DRAWN R.L.		9/10		EZ-HOOK DIVISION OF TEKTEST INC. ARCADIA, CA 91006 U.S.A.	
		FINISH SEE NOTE.				APPROVED BY				STK DOUBLE BANANA PLUG	
APPLICATION USED ON				DO NOT SCALE DRAWING						SIZE CODE IDENT NO. DRAWING NO. A 08505 DB750	
										SCALE 1:1	
										SHEET 1 OF 1	
										REV.	

LTR	REVISIONS	DESCRIPTION	DATE	APPROVED

THE INFORMATION CONTAINED IN THIS DOCUMENT IS PROPRIETARY TO E-Z-HOOK. THE INFORMATION IS NOT TO BE REPRODUCED WITHOUT PRIOR WRITTEN PERMISSION OF E-Z-HOOK, DIV. OF TEKTEST INC. MAXIMUM TESTED RATINGS IN A HANDS-FREE CONTROLLED ENVIRONMENT. MAXIMUM RATINGS ARE NOT TO BE USED CONCURRENTLY.