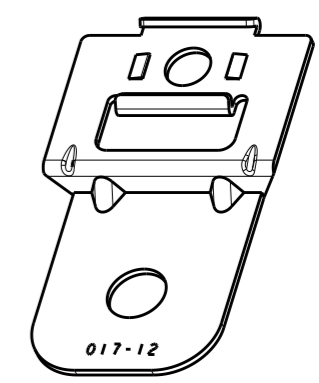
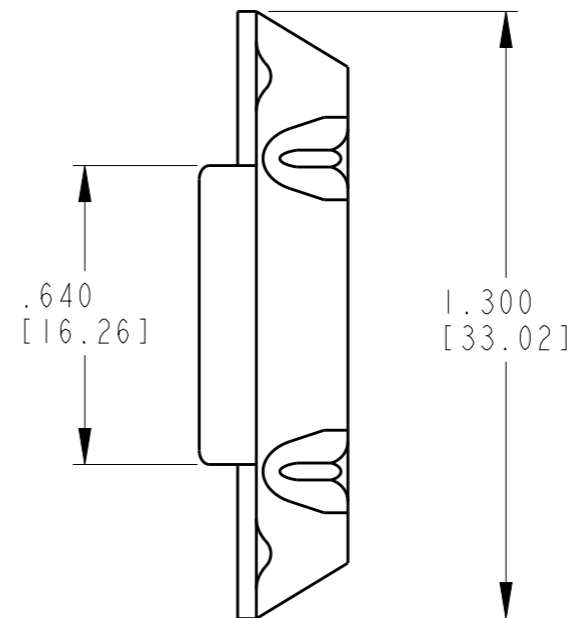
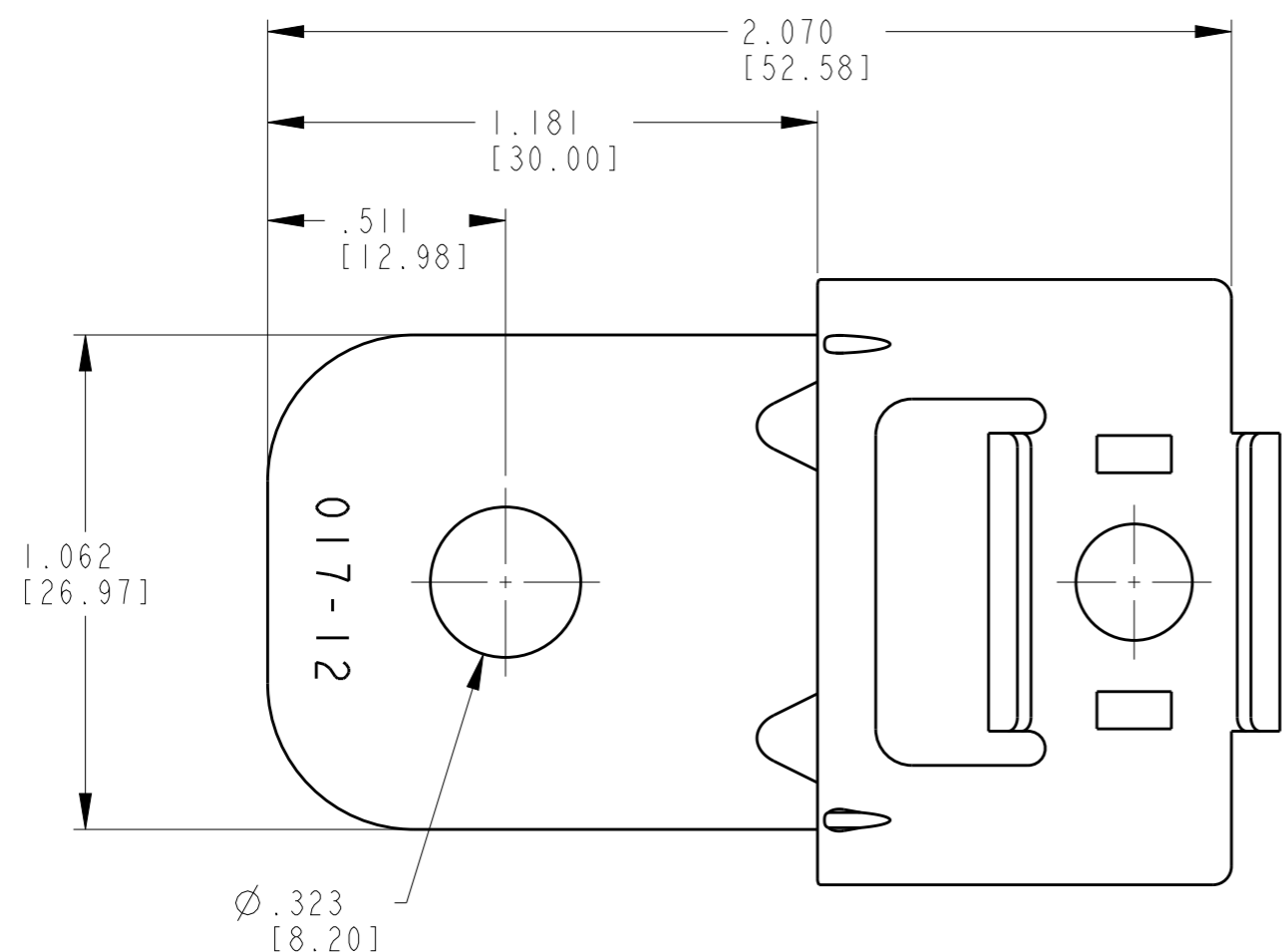
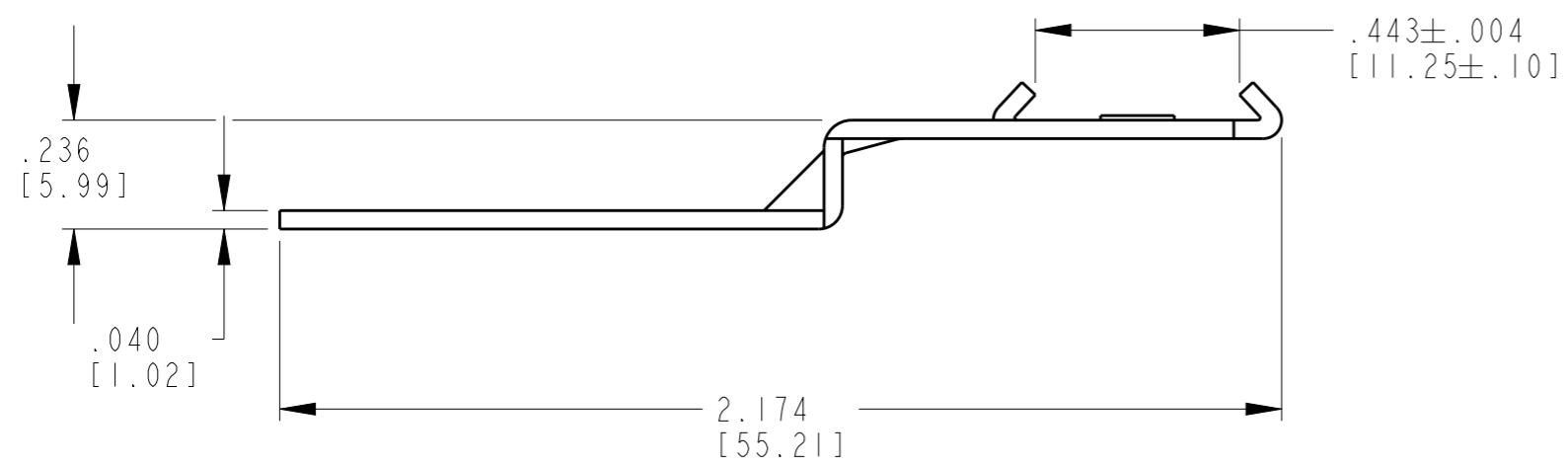


THIS DRAWING IS UNPUBLISHED
 RELEASED FOR PUBLICATION 2015
 © COPYRIGHT 2013 BY TE CONNECTIVITY ALL RIGHTS RESERVED.

LOC		DIST		REVISIONS			
P	LTR	DESCRIPTION	DATE	DWN	APVD		
	A	NEW RELEASE PER ECO-13-009012	26APR2013	JA	RM		
	A1	REVISED PER ECO-15-006257	23APR2015	JA	DM		
	A2	REVISED PER ECO-16-001711	23DEC2015	DH	DM		



3D VIEW



- 2. CLIP RETENTION FORCE SHALL BE 20 LBF [89] MINIMUM.
- 1. THIS PART MATES WITH DT, DTM, DTP, DTHD, DTCE RECEPTACLES OR OTHER PARTS WITH THE CLIP RETENTION FEATURE.

NOTES: UNLESS OTHERWISE SPECIFIED

THIS DRAWING IS A CONTROLLED DOCUMENT.		DWN	26APR2013	TE Connectivity	
		CHK	26APR2013		
		APVD	26APR2013		
		NAME	ROBERT MILLIGAN		
DIMENSIONS: INCHES [mm]		TOLERANCES UNLESS OTHERWISE SPECIFIED: 0 PLC ± 1 PLC ± 2 PLC ± 3 PLC ±.025 [0.64] 4 PLC ± ANGLES ±0°30'0"		PRODUCT SPEC -	
		MATERIAL STEEL FINISH ZINC		APPLICATION SPEC -	
		WEIGHT 12.6g		SIZE A3	CAGE CODE 4AFU8
		Customer Drawing		DRAWING NO. 1027-017-1200	RESTRICTED TO -
		SCALE NONE		SHEET 1 OF 1	REV A2