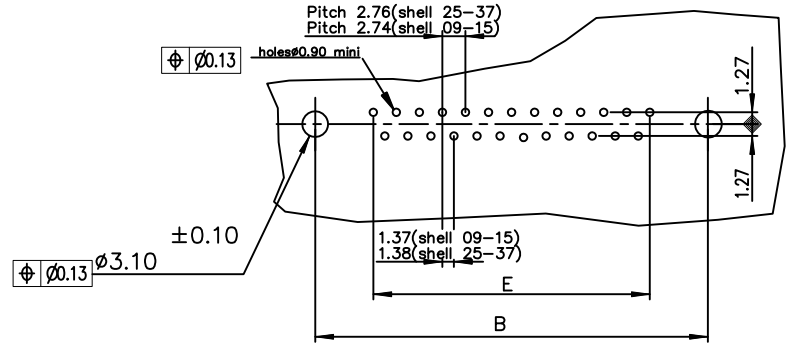


PC card drilling dimensions(after plating)
(thickness 1.60±0.20mm)



LEAD FREE PART NUMBER

SHELL	A±0.38	B±0.12	C±0.10	D±0.25	G±0.25	E±0.07	PART NUMBER
09	30.81	24.99	16.96	16.79	5.90	10.96	D09P13A*PV00LF
15	39.14	33.32	25.18	25.12	5.90	19.18	D15P13A*PV00LF
25	53.03	47.04	39.12	38.84	5.70	33.12	D25P13A*PV00LF
37	69.32	63.50	55.68	55.30	5.70	49.68	D37P13A*PV00LF

Plating: 4 --> Flash Au
Plating: 6 --> 0.76µ Au

REQUIREMENTS

Technical characteristics:
Shell: steel tin/Zinc Cr3 plated
Insulators: self-extinguishing thermoplastic, ULclass94V0
Contacts size 20: brass, gold on mating end, bright tin on termination end over nickel on entire contact
Cycles : 500 for plating 6
Cycles : 200 for plating 4
Screwlock: brass, tin plated

Electrical characteristics:
max. current rating: 5A
Test voltage: 1000V
Rated voltage: 300V
Contact resistance: ≤15mΩ
Shell resistance: ≤5mΩ
Insulation resistance: ≥5000MΩ

Climatic characteristics:
Operating temperature range: -55°C +125°C

Dimensions:
in accordance with MIL-C-24308

For RoHS Details, Refer Drawing Number C01-8646-0000

mat'l. code	-	surface	ISO 1302	tolerance	ISO 406	ISO 1101	projection	product family	D-SUB
ltr	ecn no	dr	date	angles	linear	linear	MM	title	DELTA-D MALE RIGHT ANGLE WITH FEMALE SCREW
D	ELX-I-21807	AB	2015-08-31	0°±2'	linear	linear	scale 2:1	dwg no	sheet 1 of 1
								size	A3
								type	Product Customer Drawing
sheet index	revision	D	sheet	1					