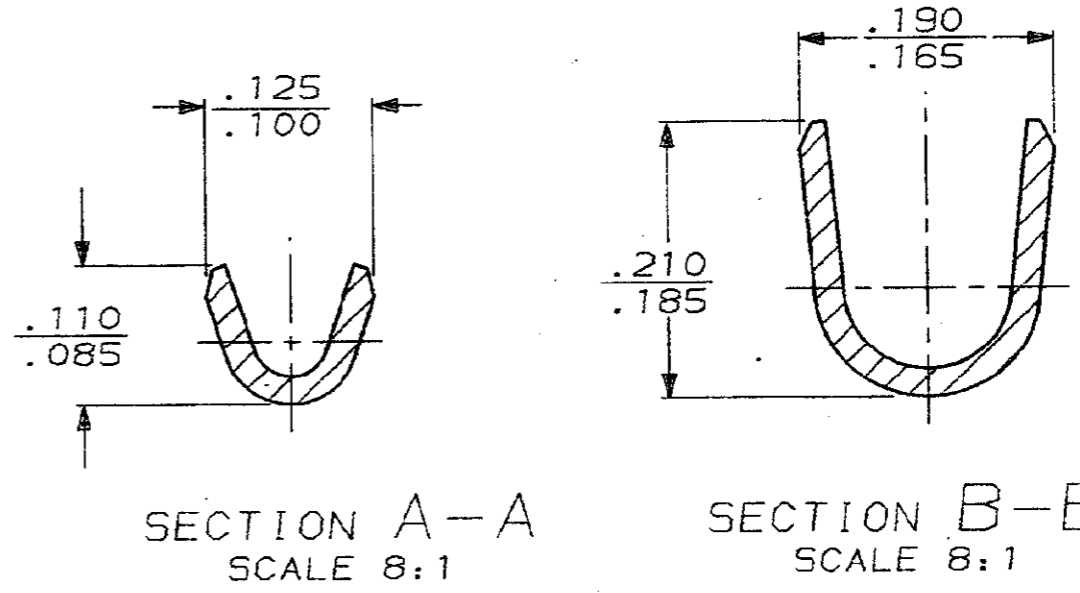
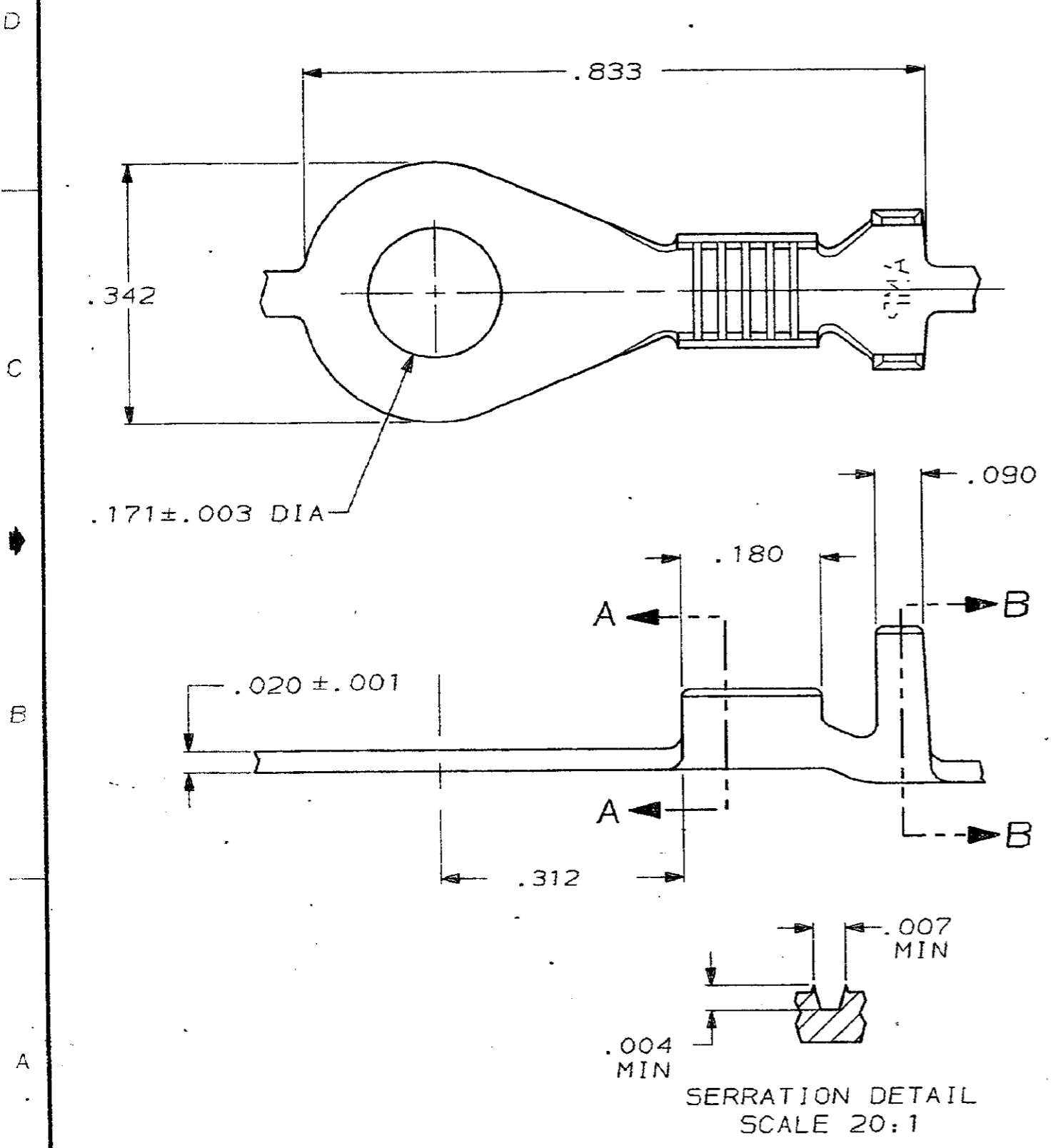


DRAWING MADE IN THIRD ANGLE PROJECTION

THIS DRAWING IS UNPUBLISHED. RELEASED FOR PUBLICATION, 19  
 © COPYRIGHT 19 BY AMP INCORPORATED, HARRISBURG, PA. ALL INTERNATIONAL RIGHTS RESERVED. AMP PRODUCTS MAY BE COVERED BY U.S. AND FOREIGN PATENTS AND/OR PATENTS PENDING.

LOC	DIST	REVISIONS				
AF	50	ZONE	LTR	DESCRIPTION	DATE	APPROVED
		✓	G	REDWN PER AF-4244	6/4/87	PF/64



UNLESS OTHERWISE SPECIFIED DIMENSIONS ARE IN INCHES TOLERANCES ON:	DR P Foretney 6/4/87	AMP INCORPORATED Harrisburg, Pa. 17105	
2 PL DEC ± -	CHK G Yetter 4/6/88	NAME RING, AMPLIVAR	
3 PL DEC ± .015	APPR R.P. Foretney 1-7-88	SIZE B	FSCM NO 00779
ANGLES ± -	APPR T.L. Foretney 4/2/88	SCALE 6:1	DRAWING NO 60321
MATERIAL T1 BRASS	PRODUCT SPEC -	SHEET 1 OF 1	
FINISH SEE TABLE	APPLICATION SPEC -	PART NO 60321-2	
	WEIGHT -	FINISH TIN PL	INSULATION RANGE .100-.140
		MAGNET WIRE SIZE 23-19	