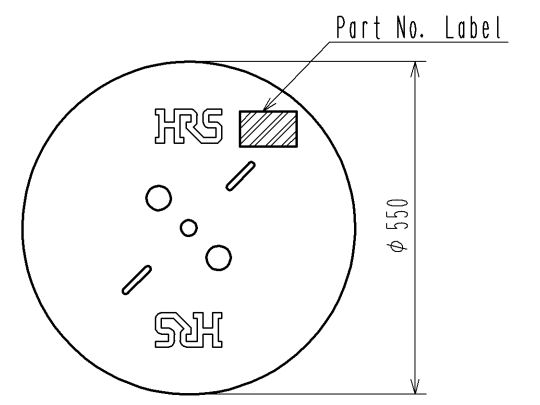


2 STYLE AND DIMENSION OF REEL



Detail of part No. Label

HRS		検査
品名コード	CL544-0501-1	
品名	DF62-EP2428PCFA	
数量	15000	
LOT NO.		
継ぎ目		
Section		Inspection
Lot No.		
Specification		
Quantity		
Part No.		
Code No.		

- NOTE 1. 1RL:15000 CONTACTS.  
 2. STYLE OF REEL AND BOX ARE SHOWN IN FIGURE.  
 3. A MAXIMUM OF 5 REELS ARE PACKED UP IN ONE BOX.  
 4. PLEASE BE SURE TO CHECK THE FORM OF CRIMPING USING A CABLE. WHEN YOU ADJUST APPLICATOR.  
 5. TIN PLATING AREA.  
 6. GOLD PLATING AREA.  
 7. THE DIMENSIONS IN PARENTHESIS ARE FOR REFERENCE.

NO. 1		MATERIAL PHOSPHOR BRONZE		FINISH . REMARKS CONTACT AREA : GOLD PLATING 0.2 μm MIN CARRIER/BARREL AREA : TIN PLATING 1μm MIN OTHERS : NICKEL PLATING 0.5 μm MIN			
UNITS mm		SCALE 10 : 1	COUNT 	DESCRIPTION OF REVISIONS	DESIGNED	CHECKED	DATE
HIROSE ELECTRIC CO., LTD.		APPROVED : KI. AKIYAMA		12.01.20	DRAWING NO. EDC3-339722-00		
		CHECKED : MN. KENJO		12.01.20	PART NO. DF62-EP2428PCFA		
		DESIGNED : TO. HORII		12.01.20	CODE NO. CL544-0501-1-00		
		DRAWN : TO. HORII		12.01.20	1/1		