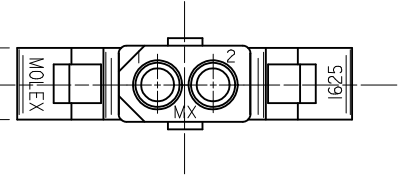
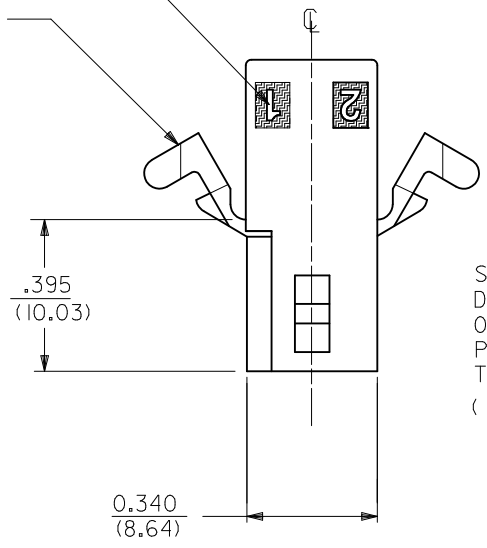


.187  
(4.75)

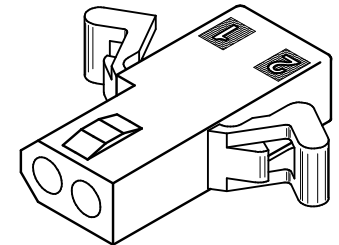
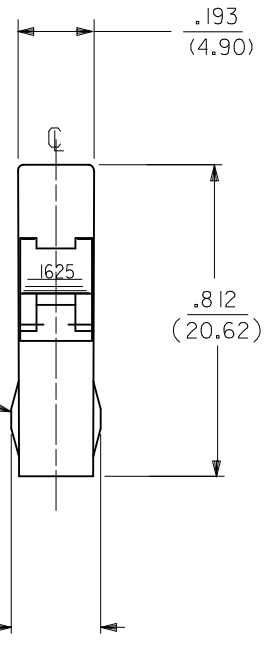


7 CIRCUIT I.D.

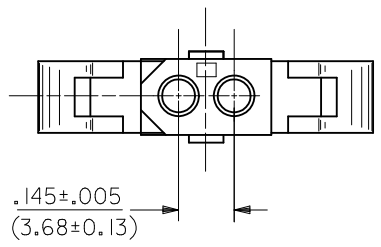
MOUNTING EAR (2 PL)  
(WHEN SPECIFIED)  
SEE DETAIL 3 OR 4



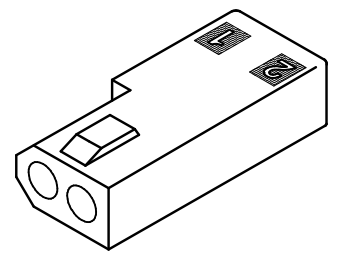
STANDARD  
DETENT SHOWN.  
OPTIONAL  
POSITIVE LOCK  
THIS SIDE ONLY  
(SEE NOTE 5)



RECEPTACLE HOUSING  
(1625-2R2 SHOWN)



OPTIONAL POSITIVE LOCK  
ONE SIDE ONLY  
SCALE 4:1



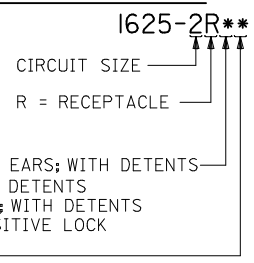
RECEPTACLE HOUSING  
(1625-2R3 SHOWN)

|  |  |                    |                               |  |                       |                          |                                    |  |  |                        |  |
|--|--|--------------------|-------------------------------|--|-----------------------|--------------------------|------------------------------------|--|--|------------------------|--|
| UPDATE REV. LEVEL<br>EC NO: UCP2012-2714<br>DRW: AELHAG<br>CHKD: JBELL<br>APPR: FSMITH | 2012/04/10<br>2012/04/10<br>2012/04/25 | DESCRIPTION<br>REV | QUALITY SYMBOLS<br>▽=0<br>▽=0 | GENERAL TOLERANCES (UNLESS SPECIFIED)                      |                       | DIMENSION STYLE<br>IN/MM |                                    | SCALE<br>4:1   | DESIGN UNITS<br>INCH   | THIRD ANGLE PROJECTION |  |
|  |  |                    |                               |  | mm                    | INCH                     | DRAWN BY DATE<br>JJS 1988/04/14    |  | TITLE<br>PLUG & RECEPTACLE<br>2 CIRCUIT HOUSINGS<br>.062/(1.57) DIA.<br>Molex MOLEX INCORPORATED<br>MATERIAL NO. SEE CHART DOCUMENT NO. SD-1625-2* |                        |  |
|  |  |                    |                               | 4 PLACES ± --- ± ---                                       | 3 PLACES ± --- ± .007 | 2 PLACES ± 0.18 ± .010   | CHECKED BY DATE<br>RW 1988/04/14   |  |  |                        |  |
|  |  |                    |                               | 1 PLACE ± 0.25 ± ---                                       | ANGULAR ± 1°          |                          | APPROVED BY DATE<br>RAS 1988/04/14 |  | SHEET NO.<br>2 OF 3  |                        |  |
| AF   |  |                    |                               | DRAFT WHERE APPLICABLE<br>MUST REMAIN<br>WITHIN DIMENSIONS |                       | SIZE<br>C                |                                    | THIS DRAWING CONTAINS INFORMATION THAT IS PROPRIETARY TO MOLEX<br>INCORPORATED AND SHOULD NOT BE USED WITHOUT WRITTEN PERMISSION |  |                        |  |

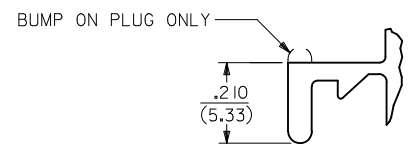
| PLUG       |            |
|------------|------------|
| PART NO.   | ENG. NO.   |
| 03-06-7023 | I625-2P1BK |
| 03-06-2023 | I625-2P1   |
| 03-06-7027 | I625-2P2BK |
| 03-06-2024 | I625-2P2   |
|            |            |
|            |            |
|            |            |
|            |            |
|            |            |
|            |            |

| RECEPTACLE |            |          |
|------------|------------|----------|
| PART NO.   | ENG. NO.   |          |
| 03-06-6023 | I625-2R1BK |          |
| 03-06-1020 | I625-2R3   | OBSOLETE |
| 03-06-1023 | I625-2R1   |          |
| 03-06-1022 | I625-2R2   |          |
| 03-06-6025 | I625-2R2RD | OBSOLETE |
| 03-06-6026 | I625-2R2GN | OBSOLETE |
| 03-06-6027 | I625-2R2BU | OBSOLETE |
| 03-06-6022 | I625-2R2BK | OBSOLETE |
| 03-06-6028 | I625-2R1BU | OBSOLETE |

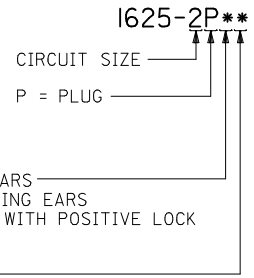
**RECEPTACLE LEGEND:**



BLANK = WITH STANDARD MOUNTING EARS; WITH DETENTS  
 1 = WITHOUT MOUNTING EARS; WITH DETENTS  
 2 = WITH PREBENT MOUNTING EARS; WITH DETENTS  
 3 = W/O MOUNTING EARS, WITH POSITIVE LOCK

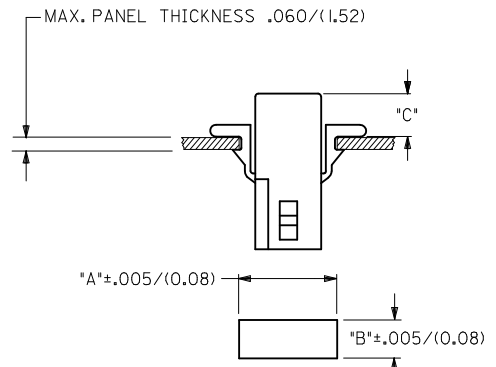


**PLUG LEGEND:**



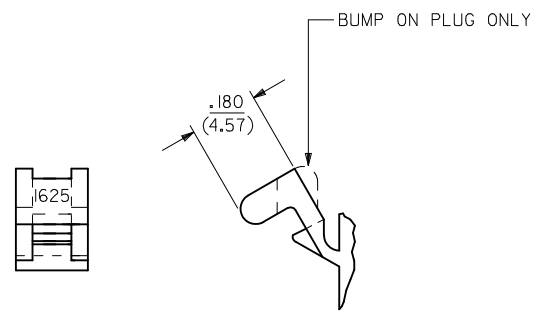
1 = WITHOUT MOUNTING EARS  
 2 = WITH PREBENT MOUNTING EARS  
 3 = W/O MOUNTING EARS, WITH POSITIVE LOCK

BLANK = NATURAL  
 AM=AMBER BK=BLACK BU=BLUE  
 BN=BROWN GY=GRAY GN=GREEN  
 OR=ORANGE RD=RED YW=YELLOW



**RECOMMENDED HOLE PATTERN**

| HOUSING    | DIM. "A"        | DIM. "B"       | PREBENT EAR DIM. "C" | STD. EAR DIM. "C" |
|------------|-----------------|----------------|----------------------|-------------------|
| PLUG       | .609<br>(15.47) | .318<br>(8.08) | .24<br>(6.0)         | .24<br>(6.1)      |
| RECEPTACLE | .505<br>(12.83) | .265<br>(6.73) | .25<br>(6.4)         | .25<br>(6.4)      |



**DETAIL 4**

PREBENT MOUNTING EARS  
 (SCALE 4:1)

- NOTES:
- MATERIAL - NYLON TYPE 6/6, 94V-2
  - FINISH: NONE
  - PRODUCT SPECIFICATION: PS-02-06
  - PACKAGING SPECIFICATION: PK-1625-003.
  - POSITIVE LOCK VERSION REQUIRES USE OF A SCREWDRIVER OR SIMILAR TOOL TO LIFT SHROUD ON PLUG HOUSING IN ORDER TO UNMATE RECEPTACLE HOUSINGS
  - HOUSINGS FOR USE WITH MOLEX .062/(1.57) DIA. SERIES TERMINALS.
  - CIRCUIT I.D. NUMBERS ON SIDE OF HOUSING APPEAR ON PARTS FROM TOOLS BUILT AFTER 07/01/1991.
  - THIS PART CONFORMS TO CLASS B REQUIREMENTS OF COSMETIC SPECIFICATION PS-45499-002.

| REVISE PKG (NOTE 4)<br>EC NO: UCP2012-2714<br>DRWNAELHAG 2012/04/10<br>CHKD:JBELL 2012/04/10<br>APPR:FSMITH 2012/04/25<br>AF | QUALITY SYMBOLS<br>▽=0<br>▽=0 | GENERAL TOLERANCES (UNLESS SPECIFIED)<br><table border="1"> <tr> <th></th> <th>mm</th> <th>INCH</th> </tr> <tr> <td>4 PLACES</td> <td>± .005</td> <td>± .0005</td> </tr> <tr> <td>3 PLACES</td> <td>± .007</td> <td>± .0007</td> </tr> <tr> <td>2 PLACES</td> <td>± 0.18</td> <td>± .010</td> </tr> <tr> <td>1 PLACE</td> <td>± 0.25</td> <td>± .010</td> </tr> </table> |   | mm | INCH                       | 4 PLACES | ± .005 | ± .0005 | 3 PLACES | ± .007 | ± .0007 | 2 PLACES | ± 0.18 | ± .010 | 1 PLACE | ± 0.25 | ± .010 | DIMENSION STYLE<br><b>IN/MM</b><br>DRAWN BY DATE<br>JJS 1988/04/14<br>CHECKED BY DATE<br>RW 1988/04/14<br>APPROVED BY DATE<br>RAS 1988/04/14 | SCALE<br><b>2:1</b><br>DESIGN UNITS<br><b>INCH</b> | THIRD ANGLE PROJECTION |
|--|-------------------------------|--|---|----|----------------------------|----------|--------|---------|----------|--------|---------|----------|--------|--------|---------|--------|--------|--|--|------------------------|
|  |                               | mm   | INCH  |    |                            |          |        |         |          |        |         |          |        |        |         |        |        |  |  |                        |
|  | 4 PLACES                      | ± .005   | ± .0005   |    |                            |          |        |         |          |        |         |          |        |        |         |        |        |  |  |                        |
|  | 3 PLACES                      | ± .007   | ± .0007   |    |                            |          |        |         |          |        |         |          |        |        |         |        |        |  |  |                        |
| 2 PLACES   | ± 0.18                        | ± .010   |   |    |                            |          |        |         |          |        |         |          |        |        |         |        |        |  |  |                        |
| 1 PLACE  | ± 0.25                        | ± .010   |   |    |                            |          |        |         |          |        |         |          |        |        |         |        |        |  |  |                        |
| DRAFT WHERE APPLICABLE MUST REMAIN WITHIN DIMENSIONS   |                               | MATERIAL NO.<br><b>SEE CHART</b>   | TITLE<br><b>PLUG &amp; RECEPTACLE<br/>         2 CIRCUIT HOUSINGS<br/>         .062(1.57)DIA.</b> |    |                            |          |        |         |          |        |         |          |        |        |         |        |        |  |  |                        |
|  |                               | SIZE<br><b>C</b>   | MOLEX INCORPORATED<br>DOCUMENT NO. <b>SD-1625-2*</b>  |    |                            |          |        |         |          |        |         |          |        |        |         |        |        |  |  |                        |
|  |                               | THIS DRAWING CONTAINS INFORMATION THAT IS PROPRIETARY TO MOLEX INCORPORATED AND SHOULD NOT BE USED WITHOUT WRITTEN PERMISSION  |   |    | SHEET NO.<br><b>3 OF 3</b> |          |        |         |          |        |         |          |        |        |         |        |        |  |  |                        |