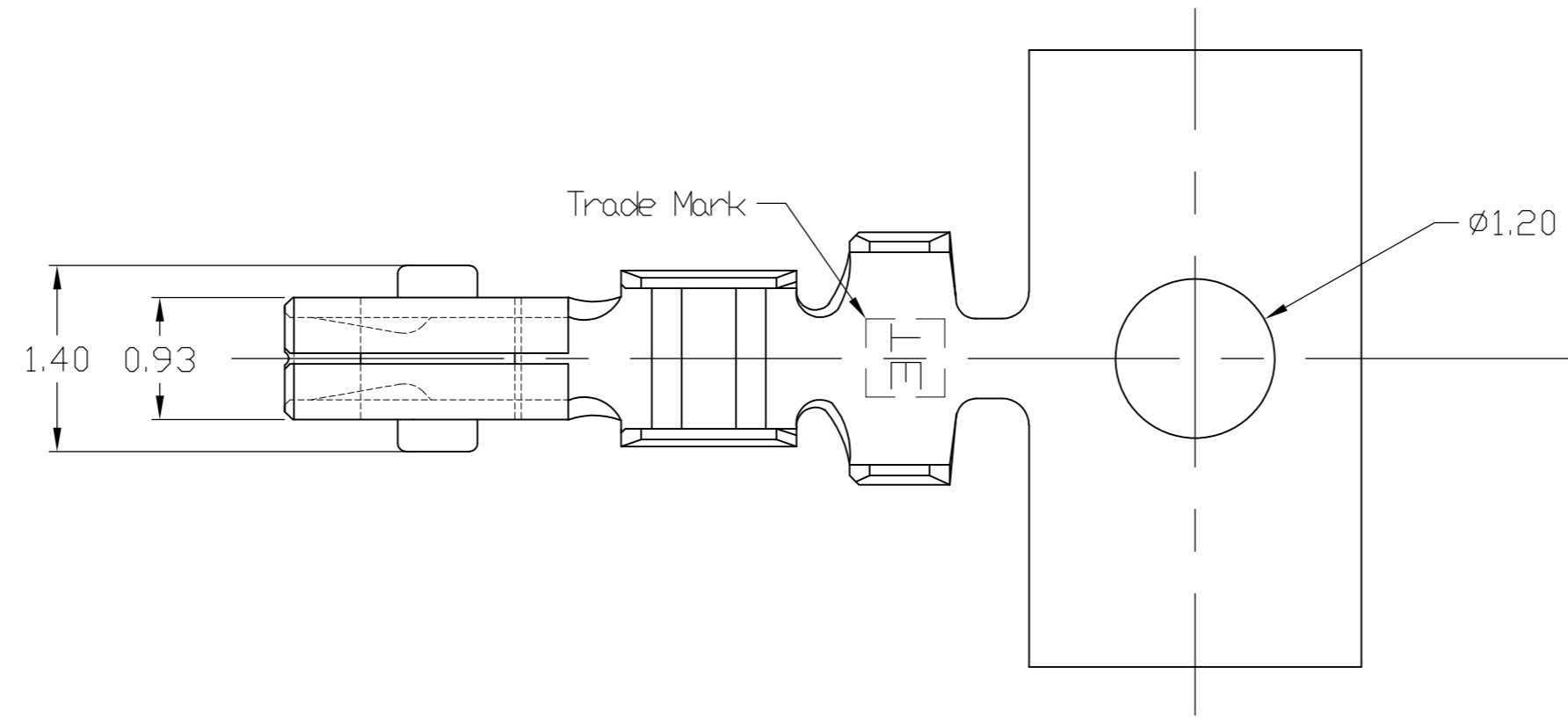


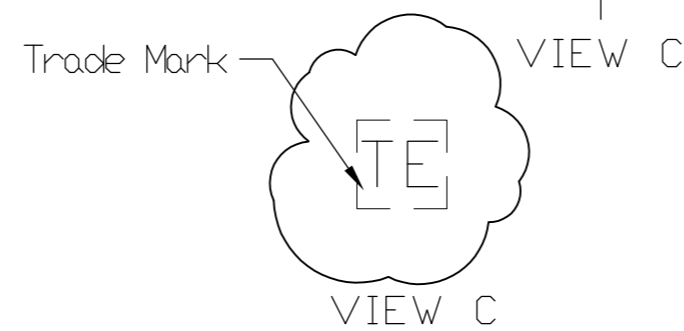
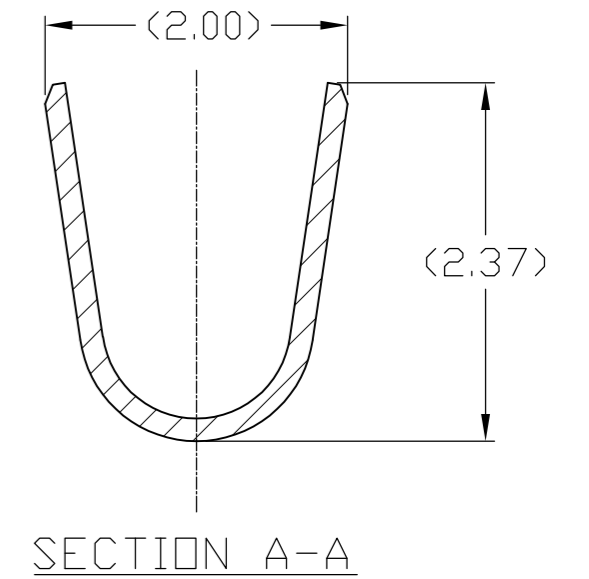
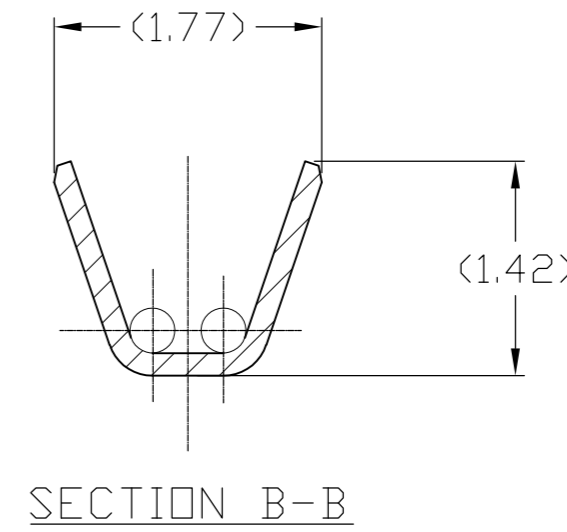
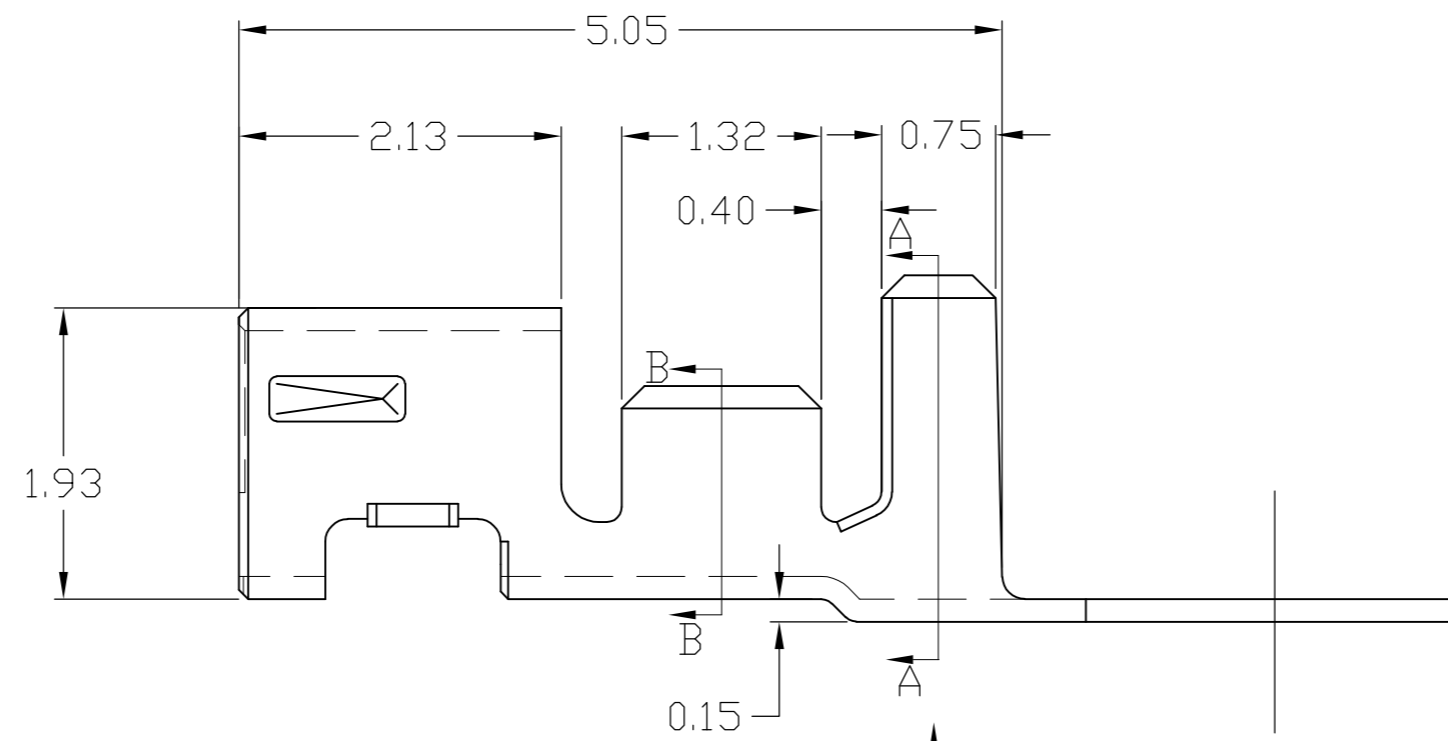
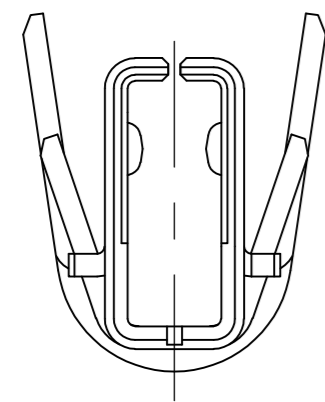
THIS DRAWING IS UNPUBLISHED. RELEASED FOR PUBLICATION
 © COPYRIGHT BY TYCO ELECTRONICS CORPORATION. ALL RIGHTS RESERVED.

LOC		DIST		REVISIONS			
P	LTR	DESCRIPTION	DATE	DWN	APVD		
	E	Revised	23MAR2009	L.J	Z.J		



NOTE

1. GENERAL TOLERANCE : ±0.2mm,±2°;
2. APPLICABLE PLUG HOUSING P/N:
X-1971030-2~10
3. CRIMPER APPLICATIO P/N: 1999135-2.
HAND TOOL P/N: 1999798-1.



AWG#28~#24 0.079~0.24	Ø0.98~Ø1.58	BRASS H06 Pre-Tin (C2600)	1971031-2
AWG#28~#24 0.079~0.24	Ø0.98~Ø1.58	PBR H04 Pre-Tin (C5110)	1971031-1
WIRE RANGE	INSULATION DIA	Material	Part Number

THIS DRAWING IS A CONTROLLED DOCUMENT.		DWN	23MAR2009	Tyco Electronics Corporation Shanghai, China	
DIMENSIONS: mm		CHK	23MAR2009	NAME	
TOLERANCES UNLESS OTHERWISE SPECIFIED		Liu Jimmy		Tyco Electronics	
0 PLC ±		Wu Hapye		Grace Inertia Connector 2.0 EV Series Receptacle Contact	
1 PLC ± -		Zhou Julian		SIZE	
2 PLC ± -		PRODUCT SPEC		CAGE CODE	
3 PLC ± -		108-106001		DRAWING NO	
4 PLC ± -		APPLICATION SPEC		RESTRICTED TO	
ANGLES ± -		114-5425		-	
FINISH		WEIGHT		SCALE	
-		-		20:1	
		CUSTOMER DRAWING		SHEET	
				1 of 1	
				REV	
				E	