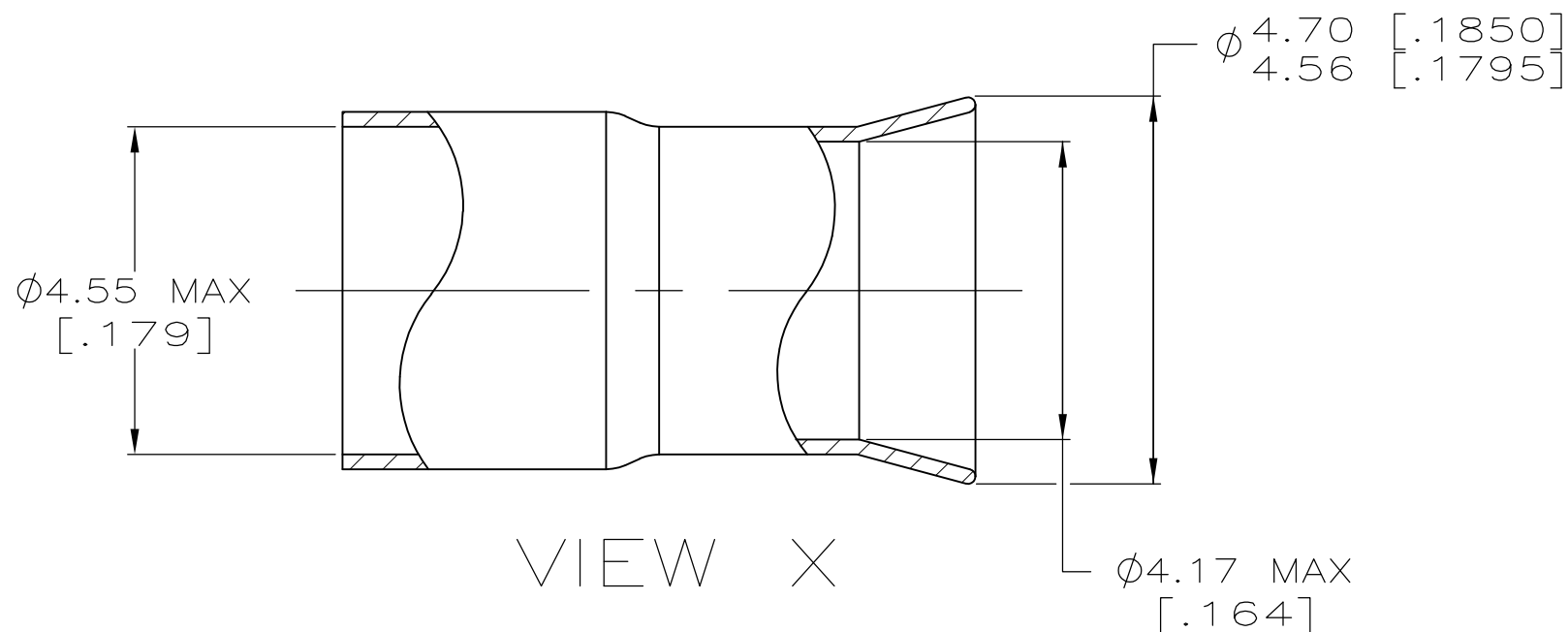


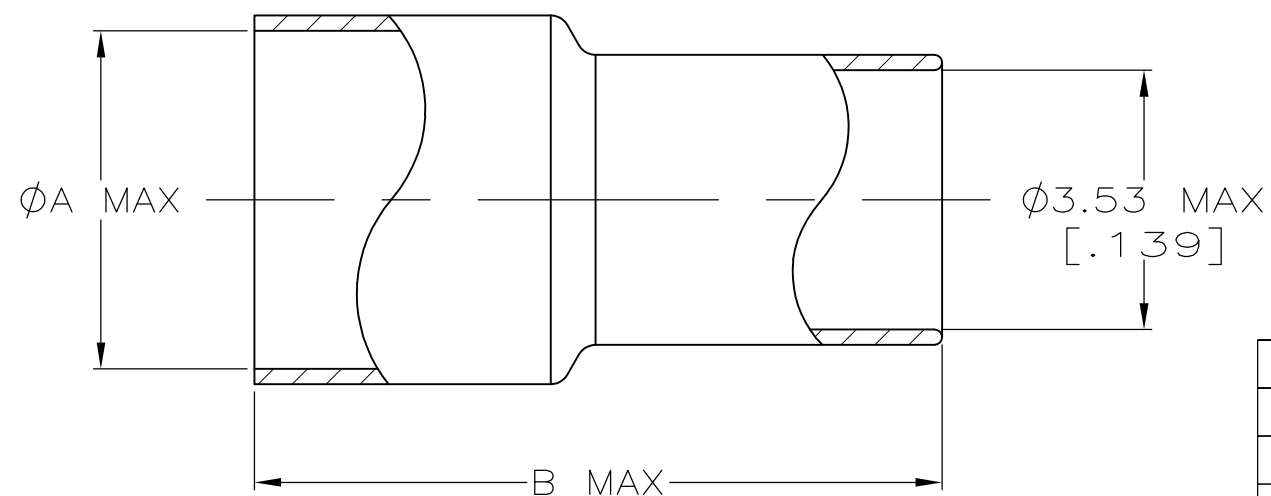
THIS DRAWING IS UNPUBLISHED. RELEASED FOR PUBLICATION

© COPYRIGHT BY TYCO ELECTRONICS CORPORATION. ALL RIGHTS RESERVED.

LOC	DIST	REVISIONS					
AJ	16	P	LTR	DESCRIPTION	DATE	DWN	APVD
			AL	REVISED PER ECO-10-008433	28MAY10	HMR	KW



VIEW X



VIEW Y

- 1. COPPER ALLOY
- 2. GOLD PLATE PER MIL-G-45204
1.27µm [0.000050] MIN THICKNESS
- 3. SILVER PLATE PER QQ-S-365,
5.08µm [0.000200] MIN THICKNESS
- 4. TIN-LEAD PLATE PER ASTM-B-545,
2.54µm [0.000100] MIN THICKNESS,
WITH SUPPLEMENTAL ANTI FRETTING LUBRICANT.
- 5. TIN PLATE PER ASTM-B-545 WITH SUPPLEMENTAL ANTI-FRETTING LUBRICANT.

5	9.22 [0.363]	4.55 [0.176]	Y	9-329049-1
5	11.18 [0.440]	4.75 [0.187]	Y	9-329049-0
2	8.76 [0.345]	4.55 [0.176]	X	3-329049-0
4	11.18 [0.440]	4.75 [0.187]	Y	2-329049-9
4	9.22 [0.363]	4.55 [0.176]	Y	2-329049-4
OBSOLETE 4	8.76 [0.345]	4.55 [0.176]	X	2-329049-3
3	9.22 [0.363]	4.55 [0.176]	Y	2-329049-1
3	8.76 [0.345]	4.55 [0.176]	X	329049
FINISH	B	A	VIEW	PART NUMBER

THIS DRAWING IS A CONTROLLED DOCUMENT.		DWN MICHAEL E. COWHER 16NOV95	Tyco Electronics Corporation Harrisburg, Pa 17105-3608	
DIMENSIONS: mm [INCHES]		CHK FRANK MORANA 16NOV95	NAME FERRULE, STEP DOWN	
TOLERANCES UNLESS OTHERWISE SPECIFIED: 0 PLC ± - 1 PLC ± - 2 PLC ± - 3 PLC ± - 4 PLC ± - ANGLES ± -		APVD FRANK MORANA 16NOV95	PRODUCT SPEC -	
MATERIAL SEE NOTES		FINISH SEE NOTES	APPLICATION SPEC -	RESTRICTED TO -
		WEIGHT -	SIZE A3	CAGE CODE 00779
		DRAWING NO G-329049		SCALE 10:1
		CUSTOMER DRAWING		SHEET 1 OF 1
				REV AL