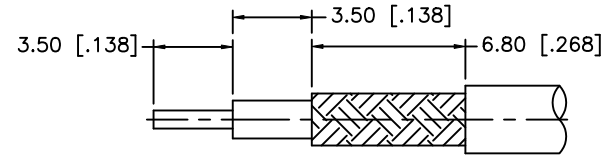
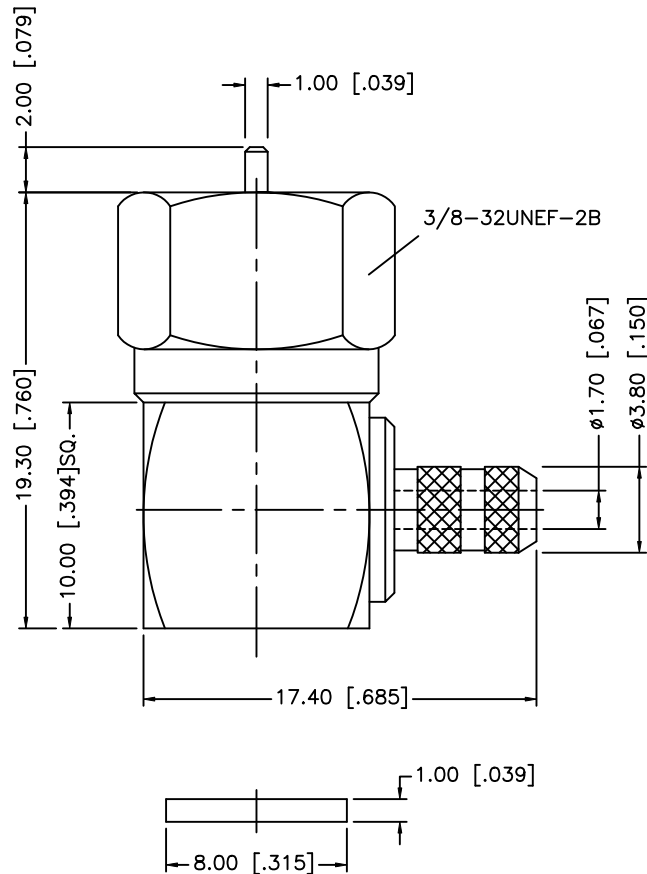
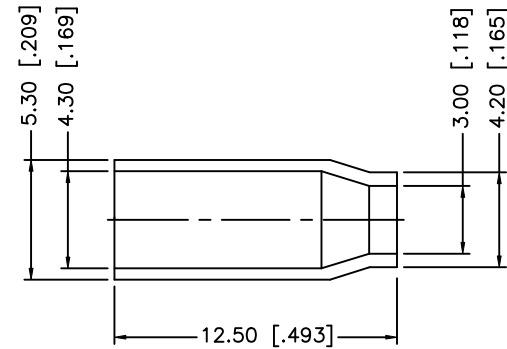


REV.	DATE	ECR NO.	DESCRIPTION
NC	07/10/08	-	INITIAL RELEASE
A	09/30/08	-	REVISE CENTER CONTACT PIN TO 1.0mm DIAMETER



RECOMMENDED  
CABLE STRIPPING DIM'S



NOTES:

1. CRIMPED FERRULE HEX CRIMP .178" [4.52]

DESCRIPTION	MATERIAL	FINISH	QTY	DO NOT SCALE DRAWING	APPROVALS	DATE	PART DESCRIPTION					
8							<h1 style="text-align: center; color: blue;">Amphenol Connex</h1> <p style="text-align: center;">F R/A CRIMP PLUG (FOR RG-179/U, 187A/U - .040" CONTACT)</p>					
7						PART NO. 222179-10						
6	FERRULE	COPPER	NICKEL	1	DRAWN	GRS				DWG. NO. 222179-10.DWG		
5	COVER	BRASS	NICKEL	1	CHECKED					REV. A		
4	CONTACT PIN	BRASS	GOLD	1	ISSUED					SIZE A		
3	INSULATOR	PTFE	NATURAL	1	SHEET	1 OF 1	SCALE NA					
2	BODY	BRASS	NICKEL	1	CAD FILE							
1	HOUSING	BRASS	NICKEL	1	C:/222/222179-10.DWG							

UNLESS OTHERWISE SPECIFIED DIMENSIONS ARE IN MILLIMETERS. DIMENSIONS IN [ ] ARE IN INCHES AND FOR CUSTOMER REFERENCE ONLY.

UNLESS OTHERWISE SPECIFIED TOLERANCES FOR MILLIMETERS ARE:  
0.5 - 8mm ± 0.20mm  
8 - 30mm ± 0.40mm  
30 - 120mm ± 0.50mm

UNLESS OTHERWISE SPECIFIED TOLERANCES FOR INCHES ARE:  
.020 - .315 = ± 0.007"  
.315 - 1.180 = ± 0.015"  
1.180 - 4.724 = ± 0.020"