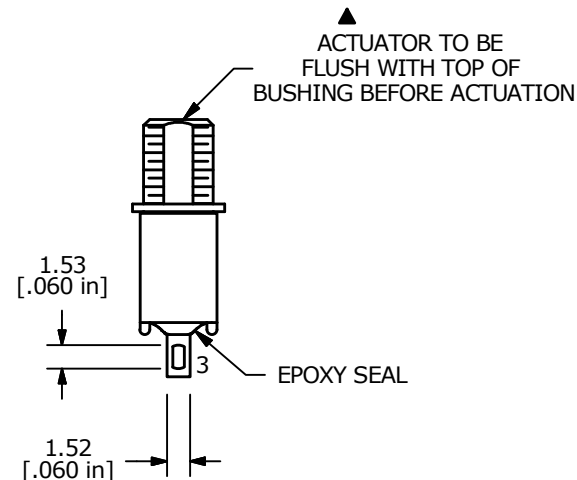
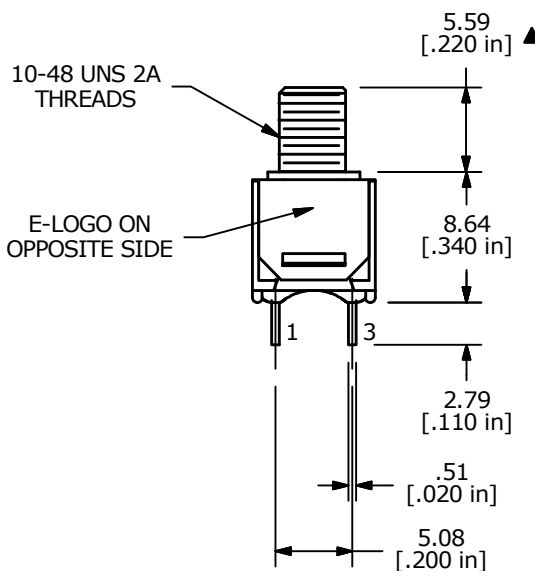
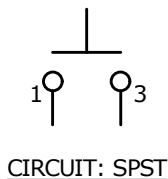


| SWITCH FUNCTION | |
|-----------------|--------|
| POS. 1 | POS. 2 |
| | |
| OFF | (ON) |
| OPEN | 1-3 |

(ON)=MOMENTARY



NOTE:

1. ALL DIMENSIONS IN MM [INCH]
2. GENERAL TOLERANCE: X.X=±0.4
X.XX=±0.25
3. TERMINAL NUMBERS FOR REF ONLY
- ▲ 4. CONTACT MATERIAL: SILVER
- ▲ 5. RATING: 1A @ 250 VAC
3A @ 120 VAC OR 28 VDC
6. MECHANICAL LIFE: 50,000 MAKE-AND-BREAK CYCLES
7. CONTACT RESISTANCE: 20 mΩ MAX. INITIAL @ 2-4VDC
100mA FOR BOTH GOLD AND SILVER CONTACTS
8. INSULATION RESISTANCE: 1,000 MEGA-OHM MIN.
9. DIELECTRIC STRENGTH: 1,000 V RMS @SEA LEVEL.
10. OPERATING TEMP.: -30°C to 85°C
10. HARDWARE TO BE SHIPPED BULK
T200001 - HEXNUT - QTY 2
T200000 - LOCKWASHER - QTY 1
T200002 - LOCKRING - QTY 1
11. ▲ DENOTES CRITICAL PARAMETER.
12. 2002/95/EC (ROHS) COMPLIANT

| | | | | |
|-----|--------|----------------------------------|----------|-----|
| D | 21901 | PANEL MNT. DIM. TO 4.55 x Ø 4.95 | 7/14/15 | MW |
| C | 20026 | CORRECT PANEL MOUNT DETAIL | 06/23/11 | BMA |
| B | 19997 | UPDATE DRAWING | 06/14/11 | BMA |
| A | 19809 | NEW PART RELEASE | 4/1/11 | BGL |
| REV | PCR NO | DESCRIPTION | DATE | BY |

THE INFORMATION CONTAINED IN THIS DOCUMENT IS PROPRIETARY TO E-SWITCH AND IS NOT TO BE COPIED OR TRANSFERRED



TITLE 800SP9B5M1QEH (FLUSH ACTUATOR)

| | | | | |
|-------|----------|-----|----------|-----|
| SCALE | DATE | DR | DWG | REV |
| 2:1 | 4/1/2011 | BGL | ST811073 | D |