

Customer Information Sheet

DRAWING No.: M20-876XXXX

SHEET 2 OF 2

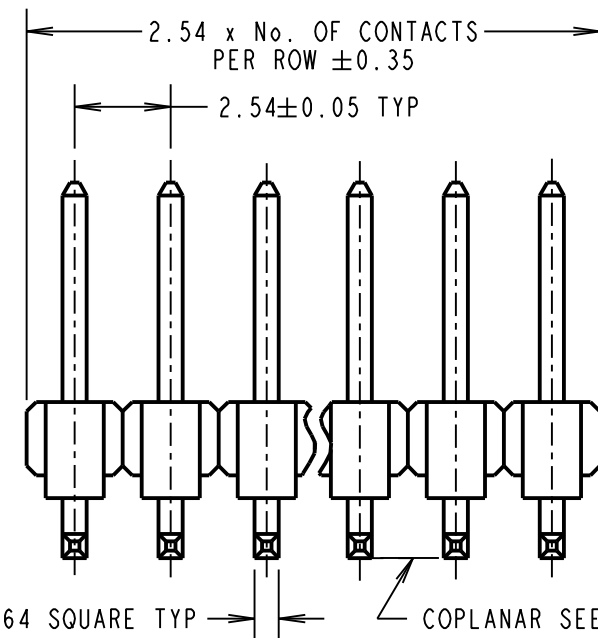
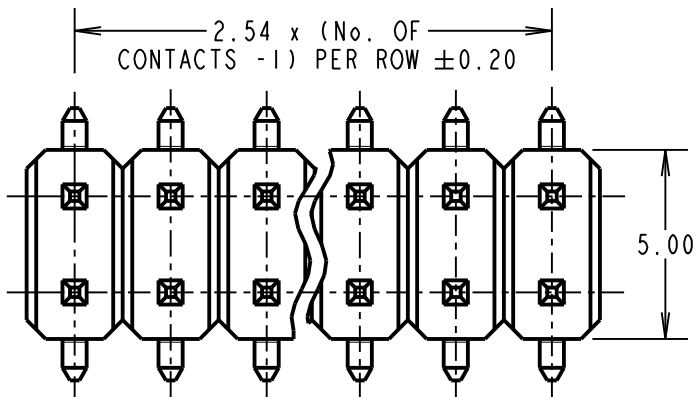
IF IN DOUBT - ASK

(C)

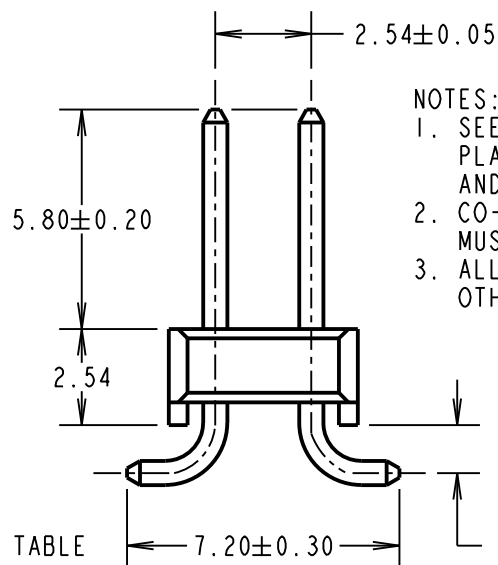
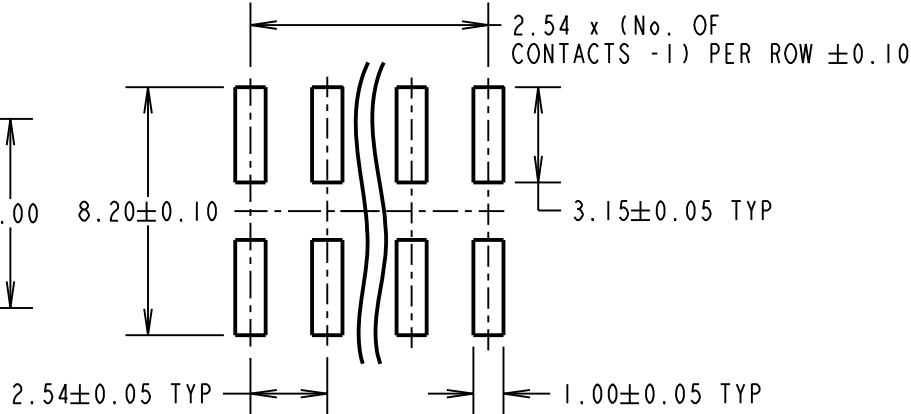
NOT TO SCALE

THIRD ANGLE PROJECTION

ALL DIMENSIONS IN mm



RECOMMENDED PAD LAYOUT



NOTES:

- SEE DRAWING M20-876XXXXP FOR PICK & PLACE VERSION, M20-876XXXXR FOR TAPE AND REELED.
- CO-PLANARITY: FLATNESS OF SMT TAILS MUST NOT EXCEED VALUES GIVEN IN TABLE.
- ALL TOLERANCES ARE ± 0.15 UNLESS OTHERWISE STATED.

SPECIFICATION:

MATERIAL:
 MOULDING = NYLON 6T UL94V-0, BLACK
 CONTACT = BRASS

FINISH:
 42 = SELECTIVE GOLD ON CONTACT AREA, 100% TIN ON TAILS
 46 = 100% TIN

ELECTRICAL:
 CURRENT RATING = 3A MAX
 CONTACT RESISTANCE = 20 m Ω MAX
 INSULATION RESISTANCE = 500 M Ω MIN
 DIELECTRIC STRENGTH = 1000V AC
 VOLTAGE RATING = 250V AC/DC

MECHANICAL:
 DURABILITY = 50 OPERATIONS (TIN), 300 OPERATIONS (GOLD)

ENVIRONMENTAL:
 TEMPERATURE RANGE = -40°C TO +105°C

SOLDERING:
 REFLOW TEMP = 260°C FOR 10 SECONDS MAX
 MANUAL TEMP = 330°C FOR 3-5 SECONDS

PACKING:
 BAG
 FOR COMPLETE SPECIFICATION, SEE COMPONENT SPECIFICATION COOIXX (LATEST ISSUE)

No OF CONTACTS	COPLANARITY TOLERANCE
2x02 TO 2x12	0.10mm MAX
2x13 TO 2x20	0.15mm MAX
2x21 TO 2x36	0.20mm MAX

ORDER CODE:

M20-876XXXX

No. OF CONTACTS PER ROW:
 02 TO 36
 FINISH:
 42 = SELECTIVE GOLD + 100% TIN
 46 = 100% TIN

SB	21	01.08.12	11793
NAME	ISS.	DATE	C/NOTE
APPROVED: S.BENNETT			
CHECKED: M.PLESTED			
DRAWN: P. D. COLLINS			
CUSTOMER REF.:			
ASSEMBLY DRG:			

HARWIN

www.harwin.com
 technical@harwin.com

THIS DRAWING AND ANY INFORMATION OR DESCRIPTIVE MATTER SET OUT HEREON ARE CONFIDENTIAL AND COPYRIGHT PROPERTY OF THE HARWIN GROUP AND MUST NOT BE DISCLOSED, LOANED, COPIED OR USED FOR MANUFACTURING, TENDERING OR FOR ANY OTHER PURPOSE WITHOUT THEIR WRITTEN PERMISSION.

TOLERANCES
~~X. = ± 1 mm~~
~~X.X = ± 0.25 mm~~
~~X.XX = ± 0.10 mm~~
~~X.XXX = ± 0.01 mm~~
 ANGLES = $\pm 5^\circ$
 UNLESS STATED

MATERIAL:

SEE ABOVE

FINISH: SEE ABOVE

S/AREA: mm²

TITLE:

2.54mm PITCH DIL
 SMT PIN HEADER ASSEMBLY

DRAWING NUMBER:

M20-876XXXX

SHT
 2
 OF
 2