

PART NAME: KNOB SCALE: 1:1 DATE: 12/4/07 DR. BY JAM

DAVIES MOLDING COMPANY
CAROL STREAM, ILLINOIS 60188

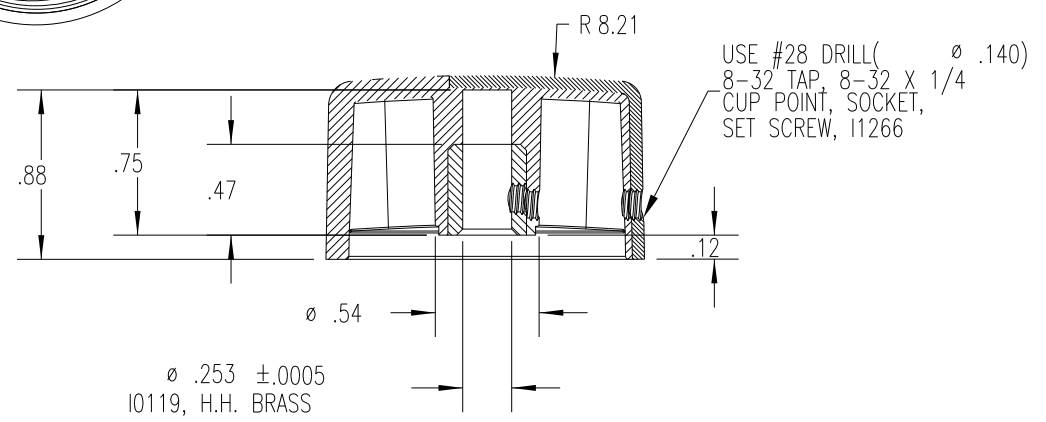
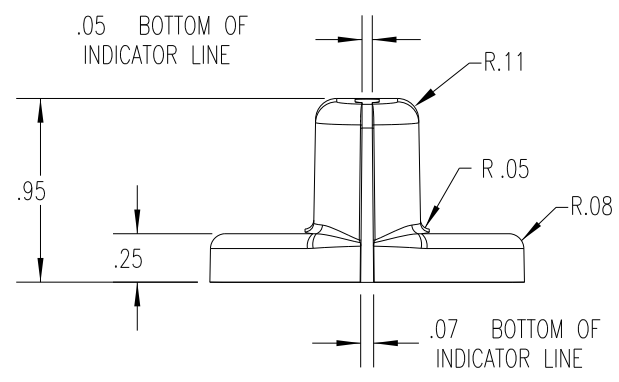
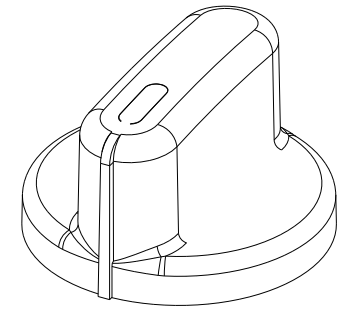
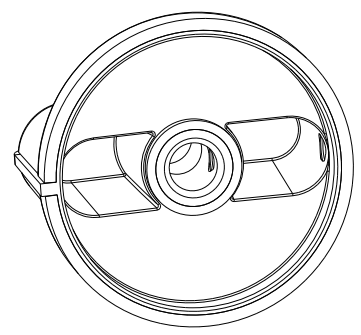
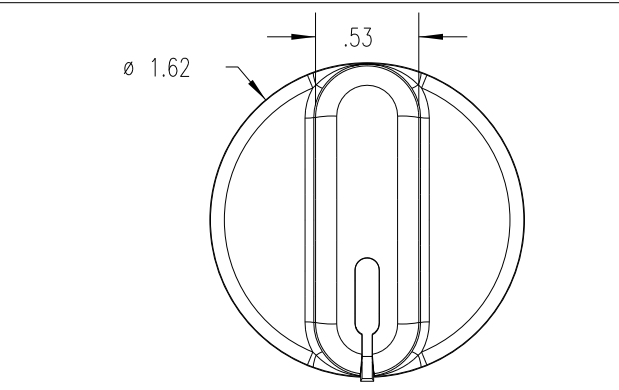
P/N 1506-B

THIS DRAWING IS THE PROPERTY OF DAVIES MOLDING COMPANY, IS SUBMITTED SOLELY AS A DESIGN OR ENGINEERING PROJECT.
WE ACCEPT NO RESPONSIBILITY WHATSOEVER FOR THE PRACTICAL APPLICATION OF THE PIECES MADE TO THIS DESIGN.

BASE PART 1506-01

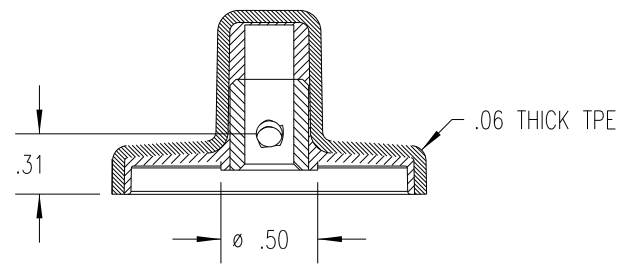
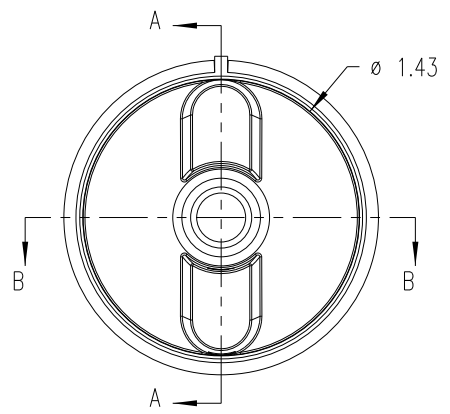
SET SCREW I1266

(A)
(C)



Ø .253 ±.0005
I0119, H.H. BRASS

SECTION A-A



SECTION B-B

SUBSTRATE MATERIAL: PC666G33L MAXAMID NYLON (CL5)
COLOR: WHITE (SWNYGFWH) (B)

OVERMOLD MATERIAL: RC666G33L MAXAMID NYLON (BD1)
COLOR: BLACK

TOLERANCES: UNLESS OTHERWISE SPECIFIED	DO NOT SCALE DRAWING	C	ADDED BASE PART	JAM	4/16/13
		B	WAS NATURAL	JAM	7/13/10
DECIMALS: X.XXX ± .005 X.XX ± .015	MM: X.XX ± 0.15MM X.X ± 0.4MM	A	MOLD # WAS 1506	JAM	12/14/09
		-	WAS SK1506-09	JAM	12/4/07
FRACTIONS ± 1/64	ANG. ± 1°	CHANGES			