

4

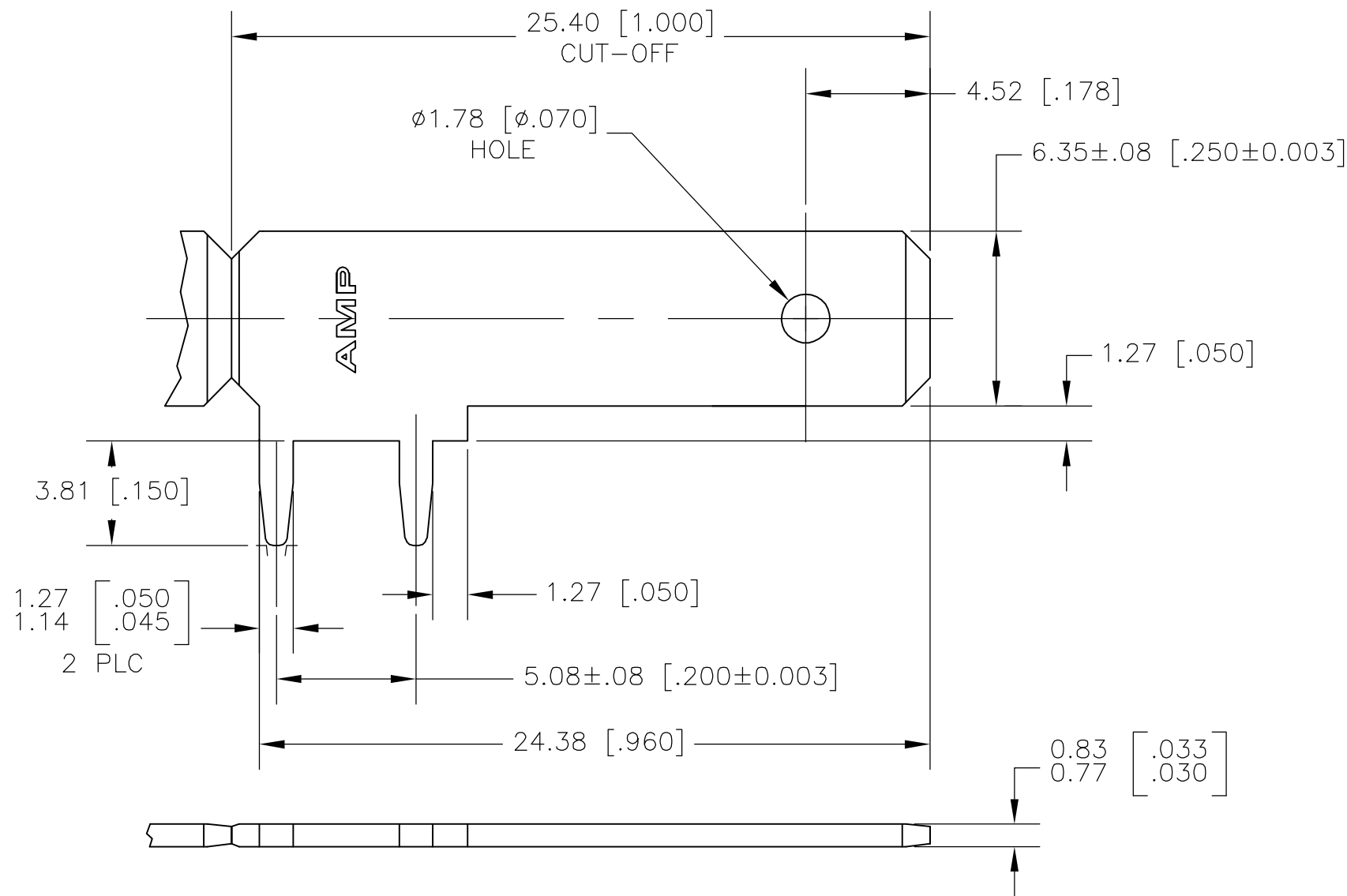
3

2

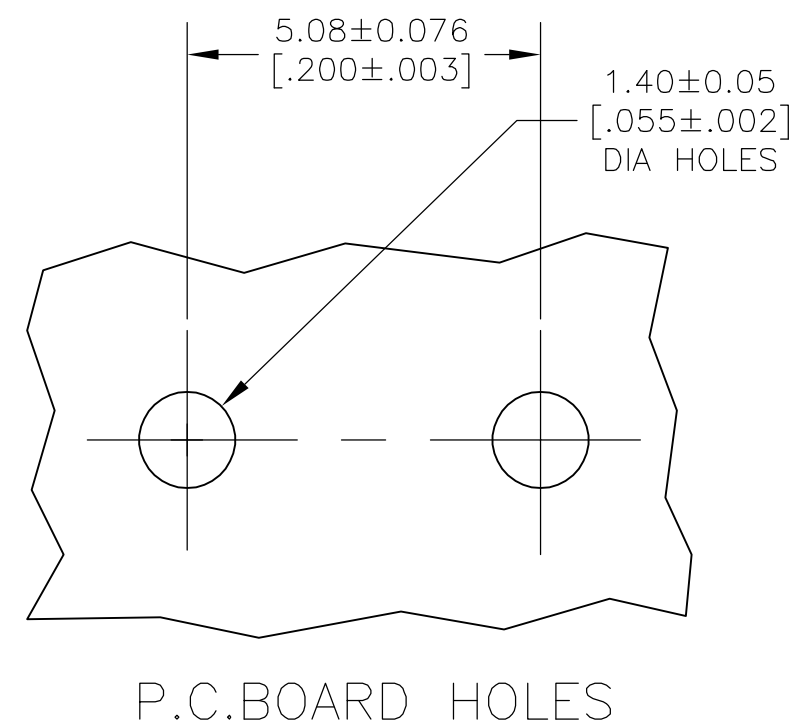
1

THIS DRAWING IS UNPUBLISHED. RELEASED FOR PUBLICATION
 © COPYRIGHT BY TYCO ELECTRONICS CORPORATION. ALL RIGHTS RESERVED.

LOC	DIST	REVISIONS					
AF	50	P	LTR	DESCRIPTION	DATE	DWN	APVD
			F	REV PER ECR-05-017407	15APR06	HMR	KR



1 CONTINUOUS STRIP ON REELS.
 2 0.00381 [.000150] MIN TIN OVER
 0.00127 [.000050] MIN NICKEL.



63952-1
 PART NO.

THIS DRAWING IS A CONTROLLED DOCUMENT.		DWN	JR RUTH	11DEC00		Tyco Electronics Corporation	
DIMENSIONS: mm [INCHES]		CHK	MS FEHER	11DEC00		Harrisburg, PA 17105-3608	
		APVD	G PORTA	11DEC00		NAME	
TOLERANCES UNLESS OTHERWISE SPECIFIED:		PRODUCT SPEC		-		TAB, FASTON, 6.35 [.250] SERIES	
0 PLC ± - 1 PLC ± - 2 PLC ± 0.25 [.010] 3 PLC ± - 4 PLC ± - ANGLES ± -		APPLICATION SPEC		114-2115		SIZE	A3
MATERIAL		WEIGHT		-		CAGE CODE	00779
082 BRASS		FINISH		2		DRAWING NO	C-63952
CUSTOMER DRAWING				SCALE		5:1	SHEET
						1 OF 1	REV
							F