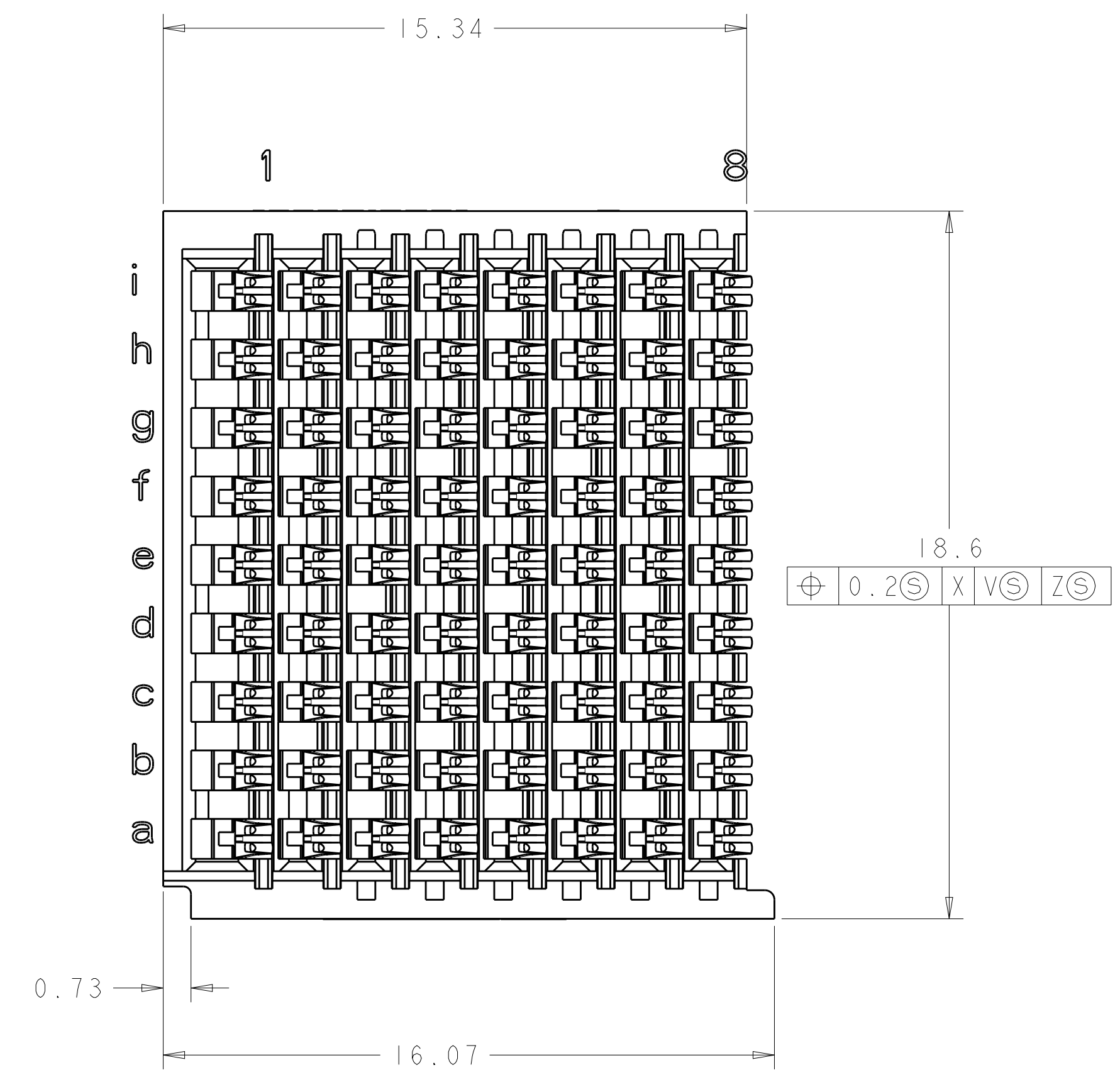
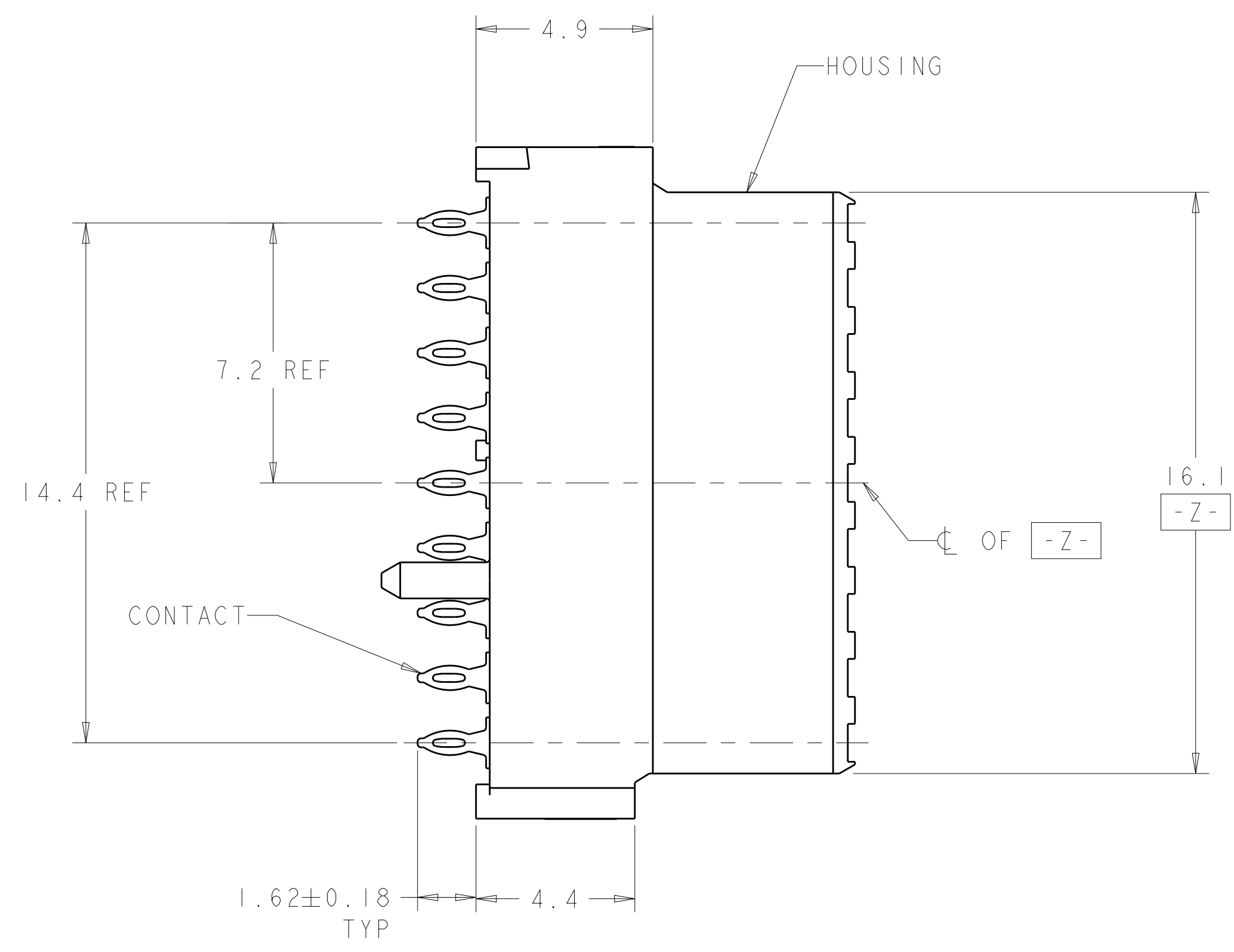
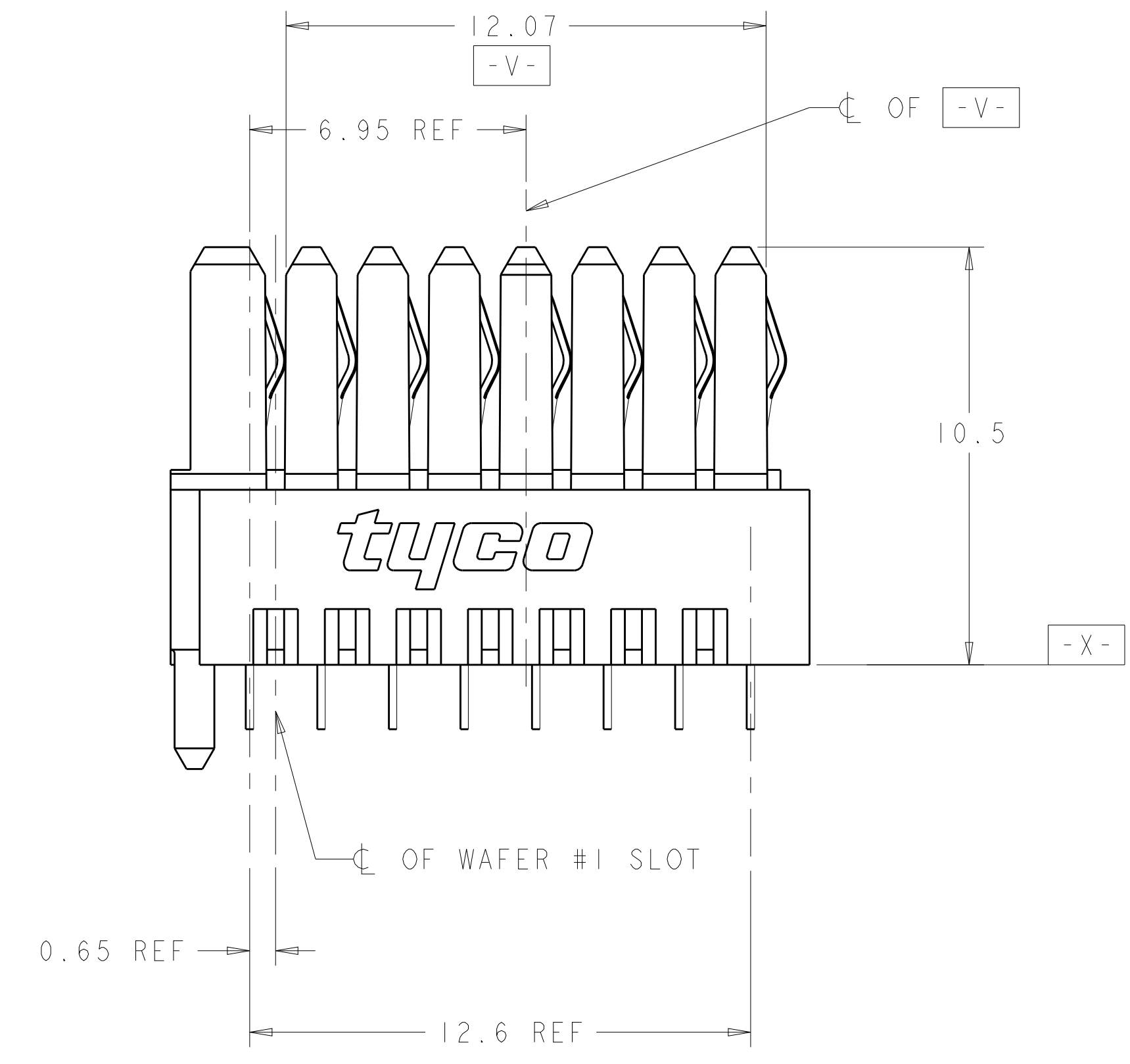
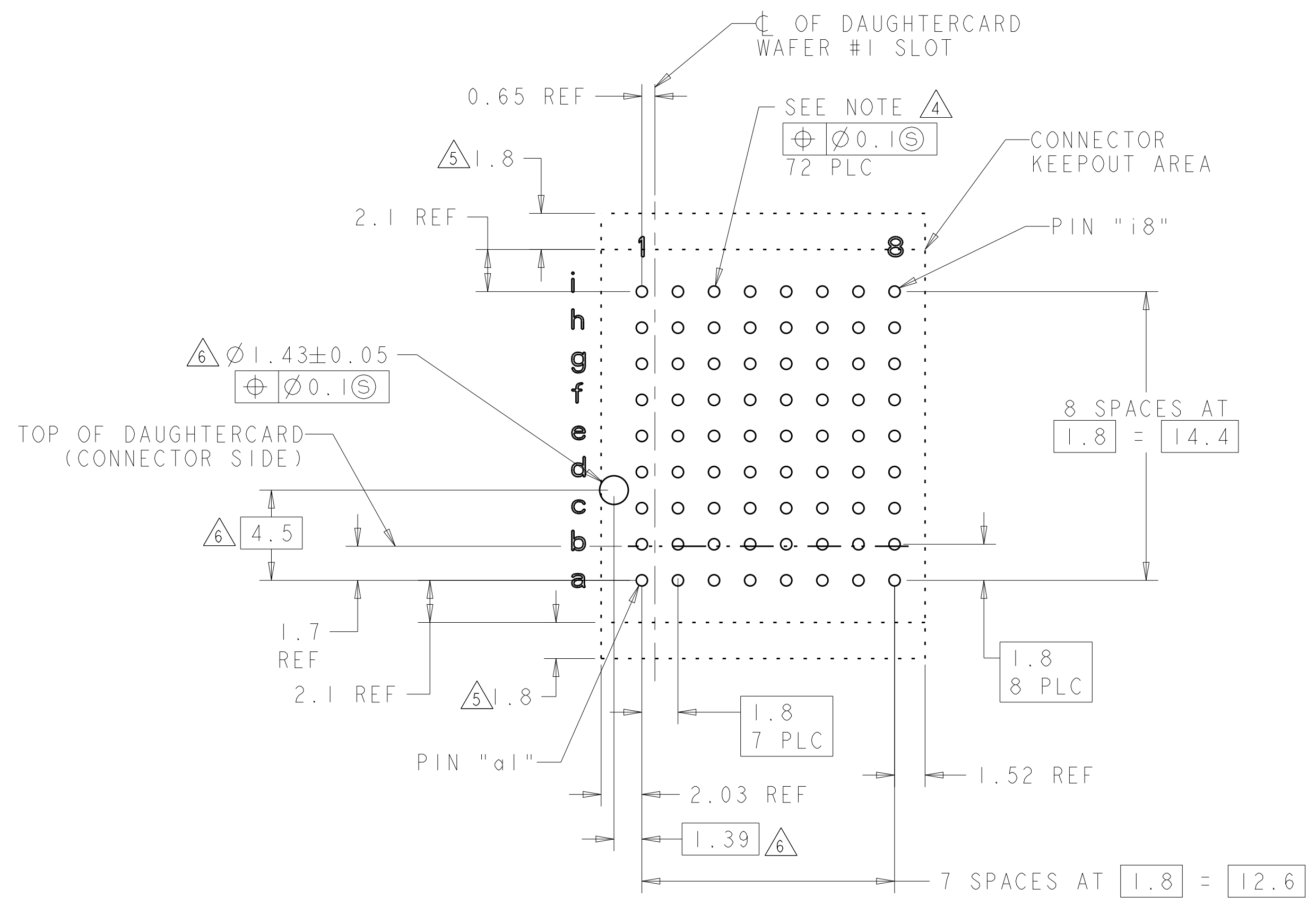


LOC	DIST	REVISIONS					
GP	00	P	LTN	DESCRIPTION	DATE	DWN	APVD
		C1		REVISED PER ECO-12-011861	28 JUN 2012	KH	AS



- 1 HOUSING: LCP, UL94V0, COLOR: BLACK. CONTACT: PHOSPHOR BRONZE.
- 2 FINISH: 1.27µm GOLD IN CONTACT AREA 1.27µm MIN. TIN-LEAD ON PCB TAIL OVER 3.81µm MIN. NICKEL OVER ALL.
- 3 FINISH: 1.27µm GOLD IN CONTACT AREA 1.27µm MIN. TIN ON PCB TAIL OVER 3.81µm MIN. NICKEL OVER ALL.
- 4 PLATED THROUGH HOLE PER 114-13056, FIGURE 4.
- 5 ADDITIONAL CONNECTOR-SIDE KEEP-OUT AREA REQUIRED IF CONNECTOR-SIDE EXTRACTION TOOL IS TO BE USED.



PC BOARD LAYOUT (CONNECTOR SIDE)
SEE SHEET 2 FOR RTM)
SCALE 5:1

3	1410186-2
2	1410186-1
PLATING	PART NO

THIS DRAWING IS A CONTROLLED DOCUMENT.		DWN	30SEP2003	TE Connectivity	
DIMENSIONS:		CHK	30SEP2003	NAME	
mm		APVD	30SEP2003	CONNECTOR ASSEMBLY, BACKPLANE	
TOLERANCES UNLESS OTHERWISE SPECIFIED:		PRODUCT SPEC		VERTICAL RECEPTACLE, HALF, LEFT END,	
0 PLC ±		108-2072		20.3mm, MultiGig RT 2	
1 PLC ±0.5		APPLICATION SPEC		SIZE	
2 PLC ±		114-13056		CAGE CODE	
3 PLC ±		WEIGHT		DRAWING NO	
4 PLC ±		CUSTOMER DRAWING		RESTRICTED TO	
ANGLES		SCALE		SHEET	
FINISH		4:1		OF	
SEE TABLE		2		REV	
		C1			

