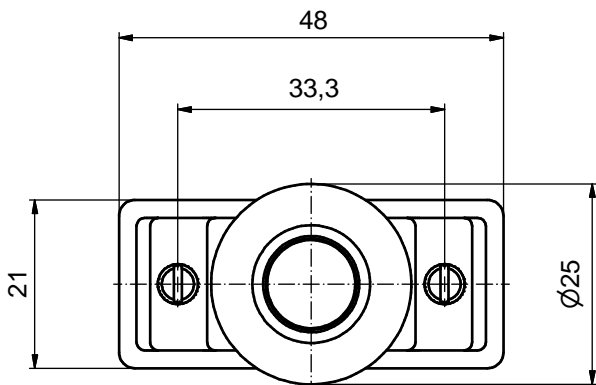
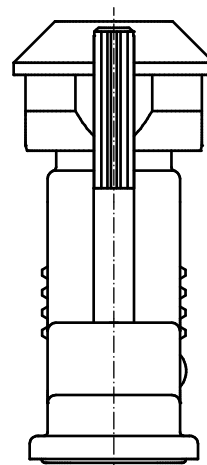
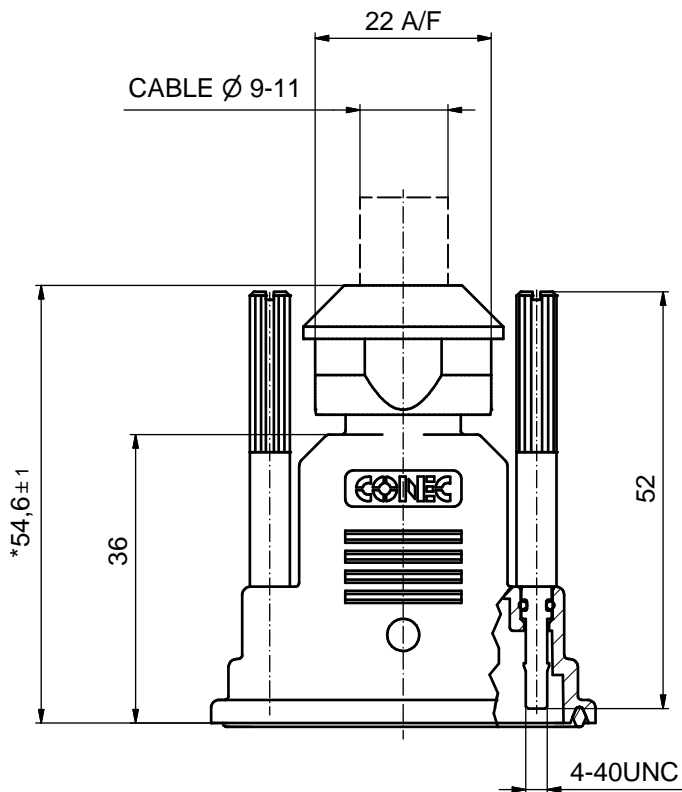
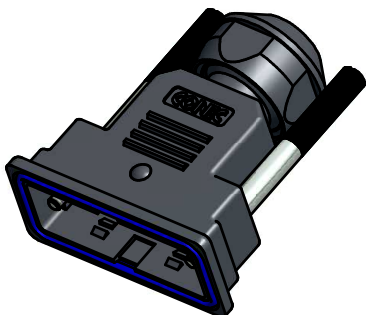


6 5 4 3 2 1



(1:1)



* COMPLETELY TIGHTENED

NOTES:

1. MATERIALS:
HOOD: PBT GF UL94 V-0 BLACK
FRONTSEALING: SILICONE VMQ BLUE
SCREW: STAINLESS STEEL
O-RING: NBR BLACK
2. TEMPERATURE RANGE: -30°C TO +90°C
3. RECOMMENDED TORQUE FOR SCREW:
35Ncm (3.1 in.LB)
MAX. TORQUE: 68Ncm (6 in.LB)
4. SINGLE PACKED

Directive 2002/95/EC RoHS compliant

THIS DRAWING MAY NOT BE COPIED OR REPRODUCED IN ANY WAY, AND MAY NOT BE PASSED ON TO A THIRD PARTY WITHOUT WRITTEN PERMISSION. OWNERSHIP AND COPYRIGHT OF CONEC GmbH DO NOT ALTER CAD DRAWING BY HAND	tolerance ± 0,3 unless otherw. specified		dim. in mm		scale: 1,5:1 (1:1)
	date		name		material: SEE NOTES
	drawn	06.02.2014	Heinrich		title: WATER RESISTANT D-SUB HOOD (b) 15 POS. JACKSCREW 4-40UNC STAINLESS STEEL
	appd.	06.02.2014	Huether		
	norm				
d-old				dwg no:	
b	A5090	06.02.2014	Heinrich	(b) 15K1A1152 part no: (b) 15-004670	
a	Origin				
rev.	description	date	name		

6 5 4 3 2 1