



Pontiac Coil

2110 Queensway Searcy, AR 72143

Phone 501-268-6877 Website: www.pontiaccoil.com

Model L-75 DC Solenoid Tubular, Pull Type

Pontiac Coil - Arkansas is an ISO 9001:2000 Certified Company

*Resistance values are $\pm 10\%$ at 25°C

| Model Code | Part No. | Voltage | Duty Cycle | Power (W) | Resistance (Ω)* | Current (A) |
|----------------|----------|---------|--------------|-----------|--------------------------|-------------|
| L-75PL012D-C-2 | F0471A | 12VDC | Continuous | 6 | 23.0 | 0.6 |
| L-75PL012D-I-2 | F0472A | 12VDC | Intermittent | 40 | 3.6 | 3.4 |
| L-75PL024D-C-2 | F0473A | 24VDC | Continuous | 6 | 88.3 | 0.3 |
| L-75PL024D-I-2 | F0474A | 24VDC | Intermittent | 40 | 14.4 | 1.7 |

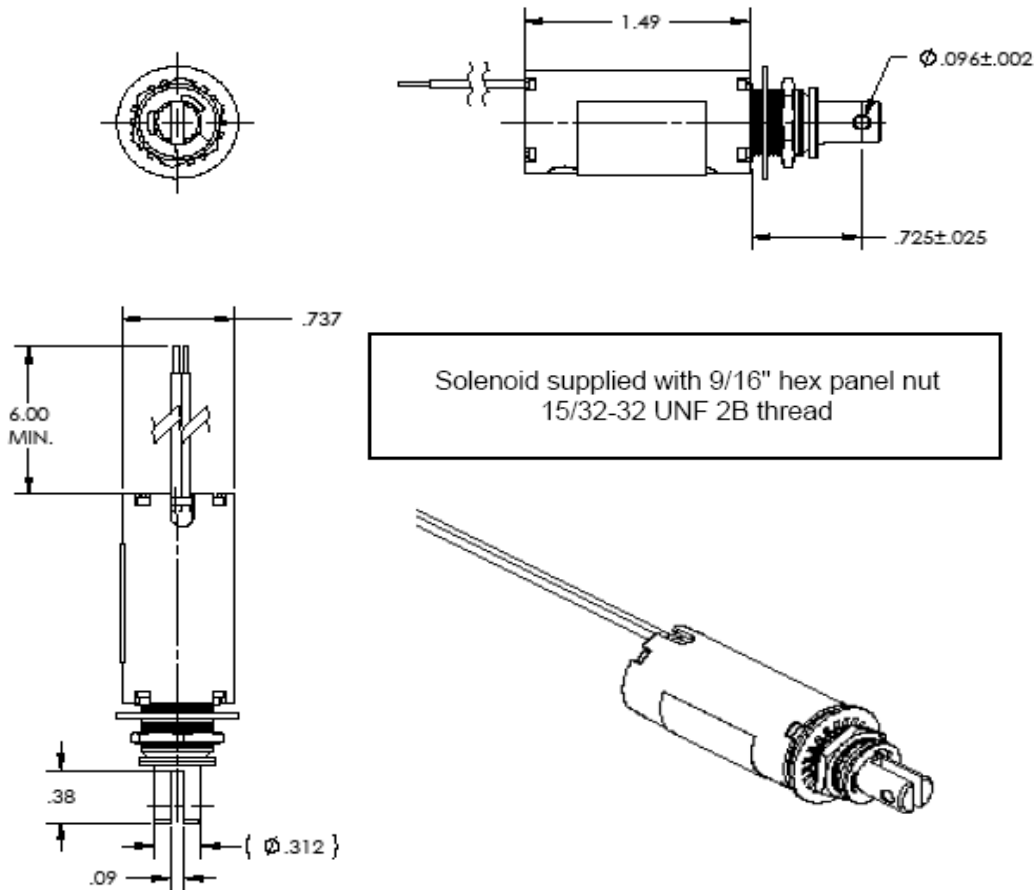
Definition of Duty Cycles:

Continuous = indefinite activation; **Intermittent** = 1 minute ON and 3 minutes OFF; **Pulse** = 100 msec. ON and 900 msec. OFF

Special order options: 6 to 48 Volts, DC only; push-type configuration. Consult factory for other modifications.

| Stroke (in.): | Sealed | 1/16 | 1/8 | 1/4 | 3/8 | 1/2 | 5/8 | 3/4 |
|------------------|--------|--------|--------|--------|--------|---------|--------|-------|
| Cont. Duty force | 63 oz. | 28 oz. | 14 oz. | 6 oz. | 3 oz. | 2.5 oz. | N/A | N/A |
| Int. Duty force | 84 oz. | 64 oz. | 46 oz. | 28 oz. | 20 oz. | 14 oz. | 11 oz. | 6 oz. |

Typical force values when operated at 100% rated voltage at 25°C. Derating required for lower voltage and higher temperature.



Solenoid shown energized, with plunger seated

Insulation Materials: UL Construction, Class B 130°C

Copper magnet wire insulation rated 155°C (class F)

Voltage Breakdown Strength: 1500 VAC RMS Life Expectancy: 10 million operations