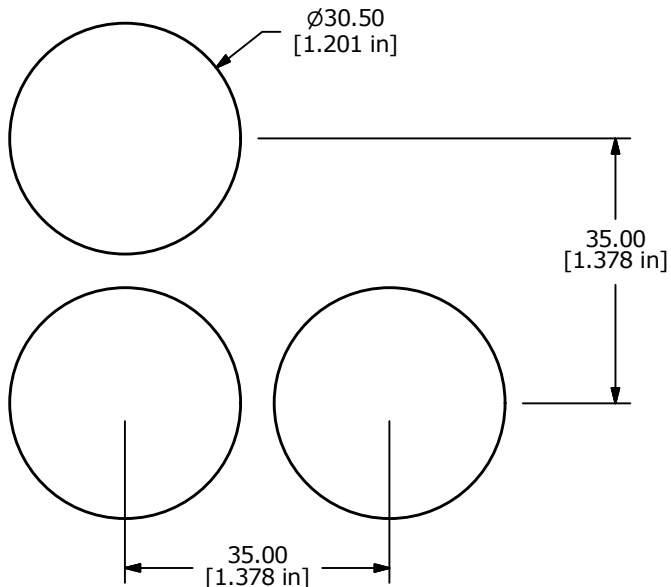
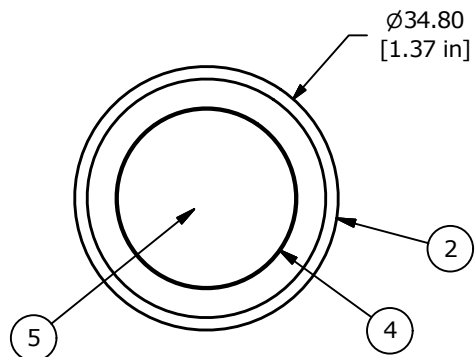


▲ Parts List

| ITEM | QTY | PART NUMBER | DESCRIPTION               |
|------|-----|-------------|---------------------------|
| 1    | 1   | F060610     | LASOAU11 BODY             |
| 2    | 1   | F051706     | 35MM FLUSH MOUNT BEZEL    |
| 3    | 1   | F051707     | 35MM FLUSH MOUNT RETAINER |
| 4    | 1   | F060211     | 29MM BLUE LENS            |
| 5    | 1   | F050404     | INCAND, 14V AC/DC 80mA    |

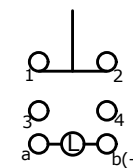
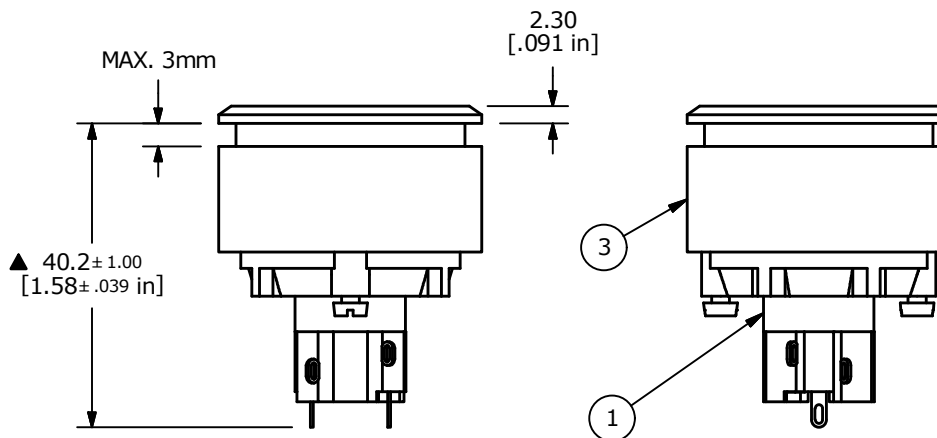


RECOMMEND PANEL MOUNTING



NOTE:

1. ALL DIMENSIONS IN MM [INCH]
2. GENERAL TOLERANCE: X.X=±0.4  
X.XX=±0.25
3. TERM. NOS. FOR REF. ONLY.
4. RATING: 5A @250VAC  
8A @125VAC  
.2A @250VDC  
6A @24VDC
5. INSULATION: 1,000 MΩ MIN.
6. DIELECTRIC STRENGTH: 2000V FOR 1 MIN.
7. SEALED TO IP65.
8. TRAVEL: 3.0MM FULL TRAVEL, 2.0MM LATCH
9. ELECTRICAL LIFE: >50,000 CYCLES
10. OPERATING TEMP: -25C TO +70C
11. PANEL THICKNESS: 0.5MM TO 3.0MM
12. LAMP VOLTAGE: INCANDESCANT, 14V AC/DC 80mA
13. ▲ DENOTES CRITICAL PARAMETER.
14. 2002/95/EC (ROHS) COMPLIANT



▲ SPDT  
CONTACT CONFIGURATION



|     |        |                          |          |    |
|-----|--------|--------------------------|----------|----|
| B   | 21842  | change 40.5 dim. callout | 5/5/2015 | MW |
| A   | 17855  | REVISED AND REDRAWN      | 11/19/07 | rc |
| REV | PCR NO | DESCRIPTION              | DATE     | BY |

|                    |                 |       |             |       |
|--------------------|-----------------|-------|-------------|-------|
| TITLE LASOAU31BBLU |                 |       |             |       |
| SCALE 1:1          | DATE 11/19/2007 | DR rc | DWG XF0741P | REV B |