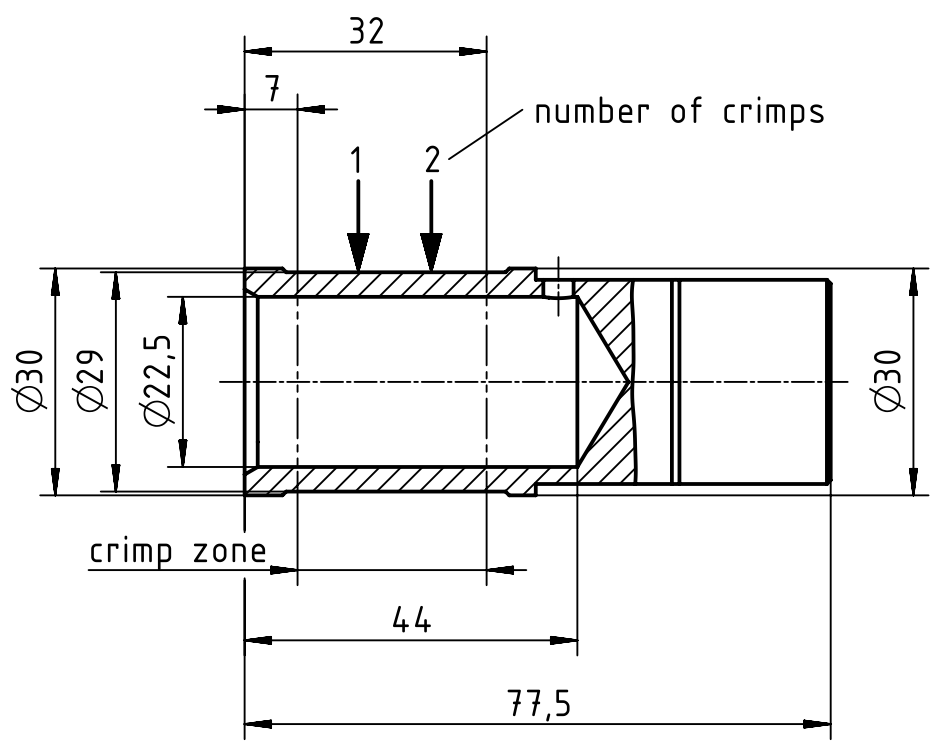


A

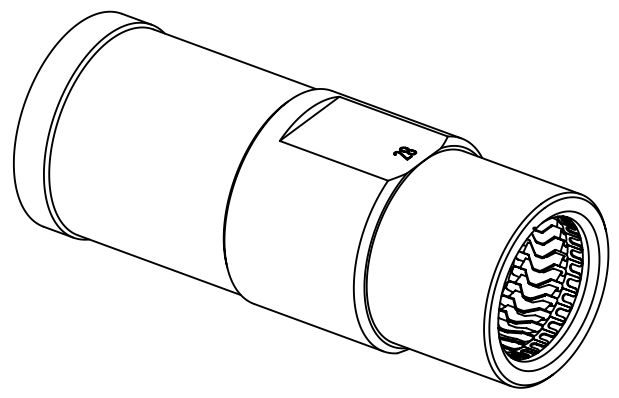
B


C

D



assembly notes see catalog
 crimp zone acc. to DIN EN 46235 indicator 28
 for stranded fine wire acc. to VDE 0295 class 5 / IEC 60228 class 5
 wire gauge: 240mm²
 stripping length: 46mm



	All Dimensions in mm Original Size DIN A4	Scale 1:1	Free size tol.		Ref.
	All rights reserved Department EL PD - DE	Created by FINKEV	Inspected by SCHNIEDER	Standardisation SCHMIDTM	Date 2015-01-19
HARTING Electric GmbH & Co. KG D-32339 Espelkamp		Title Han TC650 crimp contact 240mm ² F			Doc-Key / ECM-Nr. 100172501/UGD/005/C 500000083632
		Type TB	Number 09 11 000 6267		Rev. C Page 1/1