

THIS DRAWING IS UNPUBLISHED. RELEASED FOR PUBLICATION FEB ,2006.

© COPYRIGHT 2006 BY TYCO ELECTRONICS CORPORATION. ALL RIGHTS RESERVED.

LOC	DIST	REVISIONS					
E	B	P	LTR	DESCRIPTION	DATE	DWN	APVD
		C1		ECO-09-027745	21DEC2009	RITA	BOB

NOTES:

- ① PACK IN ACCORDANCE WITH AMP SPEC 107-3275
- ② 100 TRAY PACK IN ACCORDANCE WITH AMP SPEC 107-3275
- ③ Au PLATING

4 ELECTRICAL CHARACTERISTICS

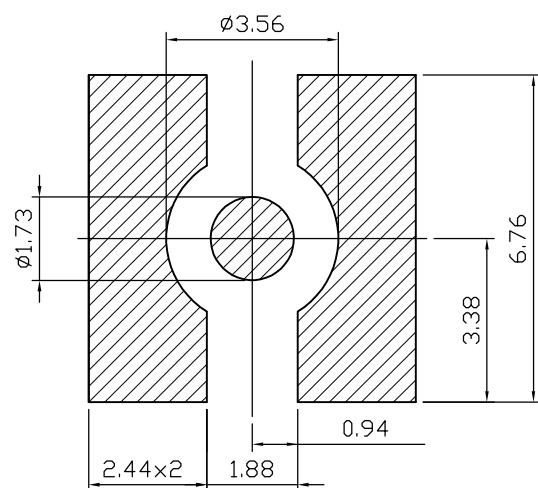
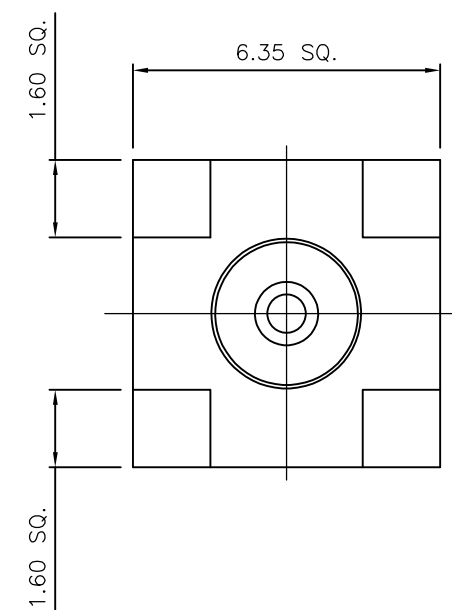
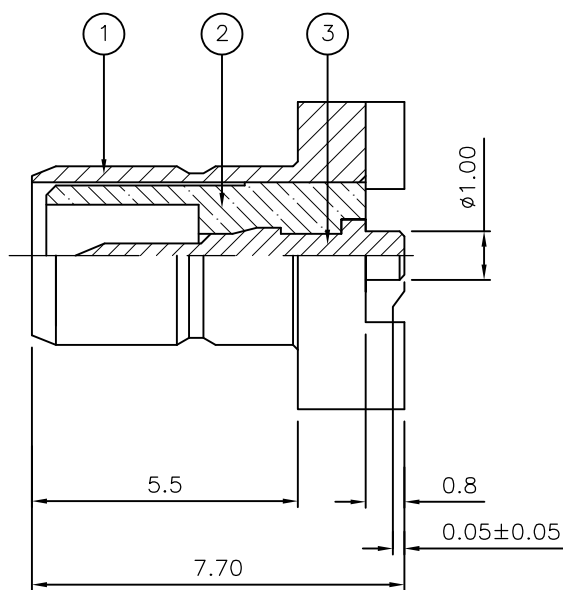
FREQUENCY RANGE: DC - 4 GHz
 NOMINAL IMPEDANCE: 50 Ohm
 INSULATION RESISTANCE: 1000 MOhm
 WORKING VOLTAGE: 250 Volts RMS at Sea Level
 DIELECTRIC WITHSTAND VOLTAGE: 750 Volts RMS Max
 CONTACT RESISTANCE:
 CENTRE CONTACT: 6.00 mOhm Max
 OUTER CONTACT: 1.00 mOhm Max

5 MECHANICAL CHARACTERISTICS

DURABILITY: 500 Cycles Min

6 ENVIRONMENTAL CHARACTERISTICS

OPERATING TEMPERATURE: -65 to +165 DegC



RECOMMENDED PCB LAYOUT

	1	1	BRASS	③	CONTACT	3
	1	1	PTFE		INSULATION	2
	1	1	BRASS	③	BODY	1
	6--0	1--0	MATERIAL		DESCRIPTION	ITEM
	③	③				
QUANTITY PER ASSY			PARTS LIST			

THIS DRAWING IS A CONTROLLED DOCUMENT.		DWN	J.SANDWELL	13FEB06	Tyco Electronics Corporation Bideford EX39 4HE	
DIMENSIONS: mm		CHK	S.PARLOW	13FEB06	NAME SMB SURFACE MOUNT STRAIGHT PCB SOCKET 50 OHM	
TOLERANCES UNLESS OTHERWISE SPECIFIED:		APVD	F.WHEELER-KING	13FEB06	SIZE A3	
0 PLC ± -		PRODUCT SPEC	-	CAGE CODE 00779		DRAWING NO C-1337604
1 PLC ± 0.2		APPLICATION SPEC	-	RESTRICTED TO -		
2 PLC ± 0.1		WEIGHT	-	SCALE NTS		SHEET 1 OF 1
3 PLC ± -		CUSTOMER DRAWING		REV C1		
4 PLC ± -						
ANGLES ± -						
FINISH						
MATERIAL SEE TABLE						