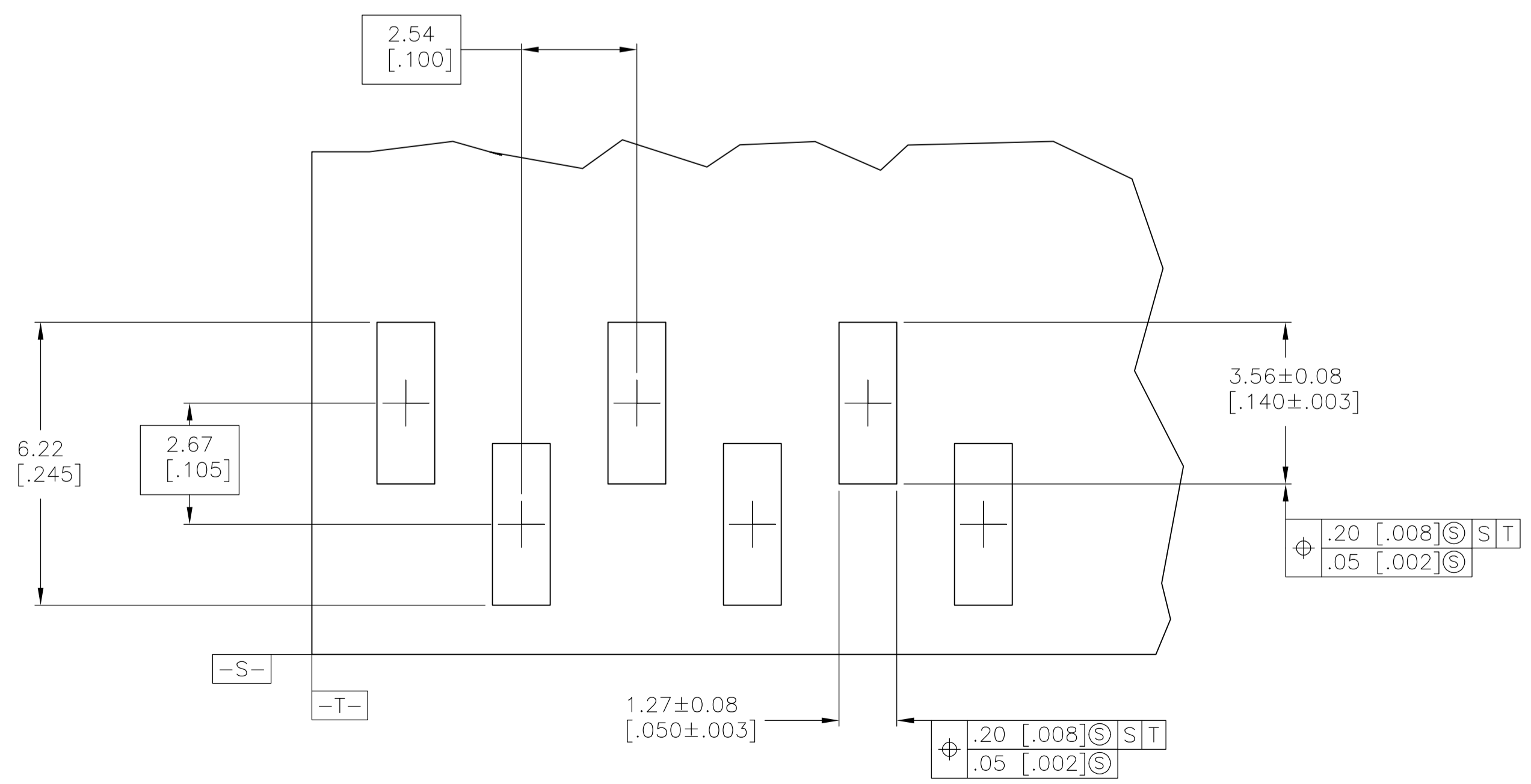
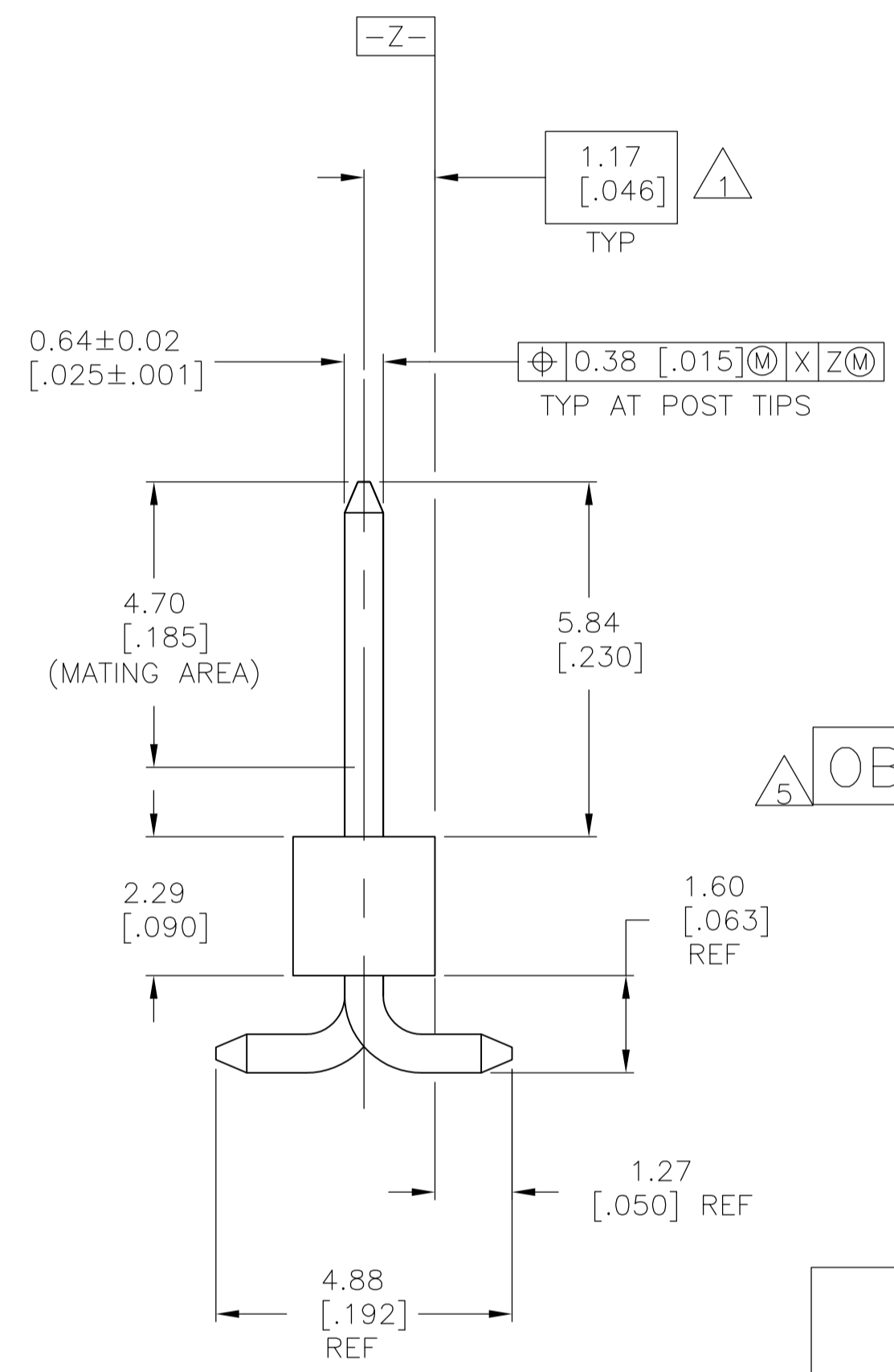
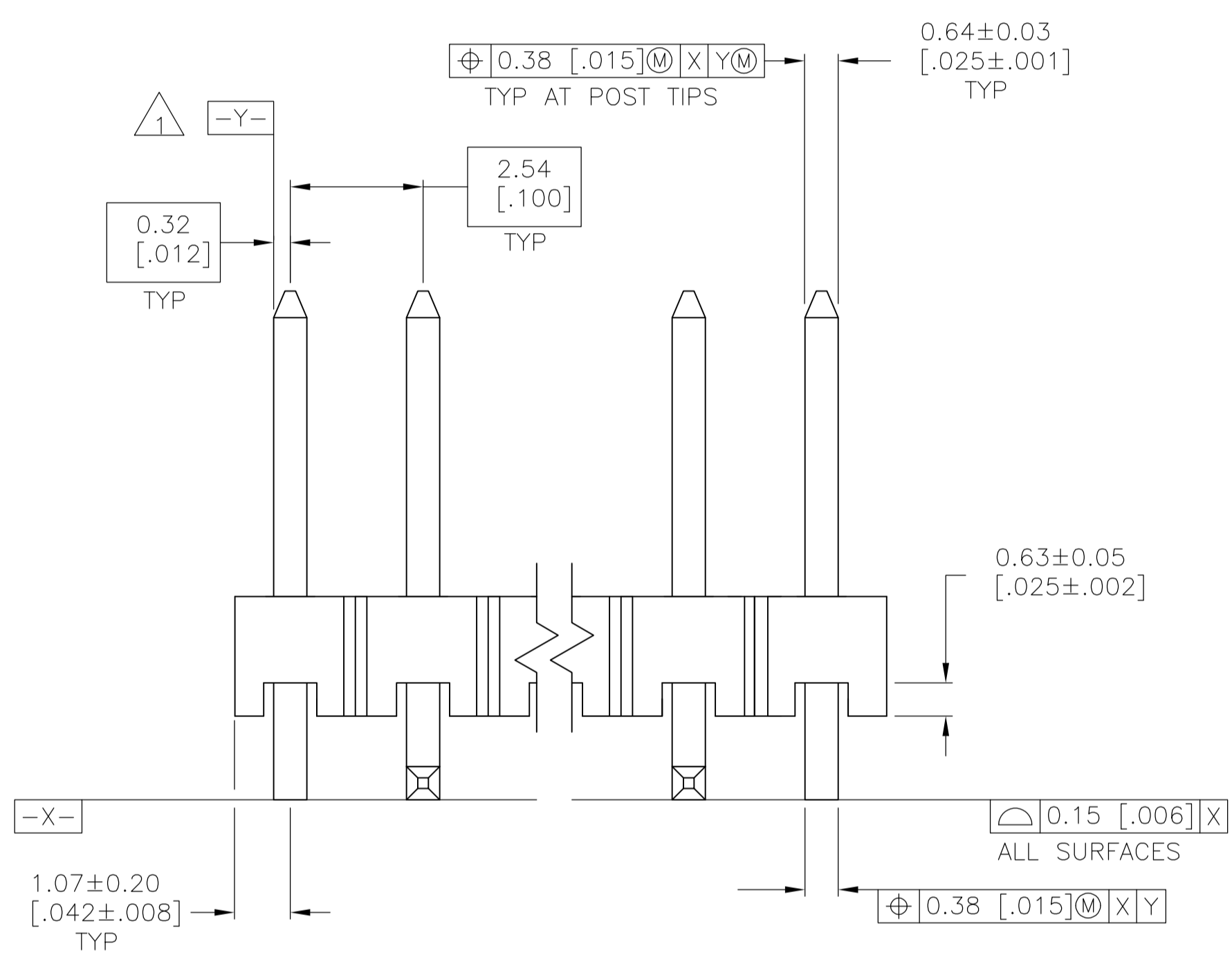


- 1 THE NOTED DIMENSIONS APPLY AT THE INTERSECTION OF THE POST AND THE HOUSING.
- 2 0.000762[.000030] GOLD ON CONTACT AREA, 0.00254[.000100]-0.00508[.000200] MATTE TIN-LEAD ON SOLDER TAIL, ALL OVER 0.00127[.000050] NICKEL.
- 3 HOUSING: LCP, COLOR-BLACK. POSTS: PHOSPHOR BRONZE.
- 4 0.000762[.000030] GOLD ON CONTACT AREA, 0.00254[.000100]-0.00508[.000200] MATTE TIN ON SOLDER TAIL, ALL OVER 0.00127[.000050] NICKEL.
- 5 OBSOLETE PARTS: OBSOLETE CIS STREAMLINING PER D.RENAUD/D.SINISI



RECOMMENDED PCB LAYOUT FOR USE WITH .008 THICK STENCIL

REV	DESCRIPTION	DATE	DMN	APVD
1	6-146128-3			
2	6-146128-2			
3	6-146128-1			
4	6-146128-0			
5	5-146128-9			
6	5-146128-8			
7	5-146128-7			
8	5-146128-6			
9	5-146128-5			
10	5-146128-4			
11	5-146128-3			
12	5-146128-2			
13	5-146128-1			
14	1-146128-3			
15	1-146128-2			
16	1-146128-1			
17	1-146128-0			
18	146128-9			
19	146128-8			
20	146128-7			
21	146128-6			
22	146128-5			
23	146128-4			
24	146128-3			
25	146128-2			
26	146128-1			

THIS DRAWING IS A CONTROLLED DOCUMENT.

APPROVED: J. KNAUB, G. DUBNICZKI, G. DUBNICZKI

DATE: 30-09-94

NAME: SURFACE MOUNT HEADER ASSEMBLY, MOD II, BREAKAWAY, VERTICAL, SINGLE ROW, .100 X.100 C/L .025 SQ.POST

PRODUCT SPEC: APPLICATION SPEC

SIZE: A1, WEIGHT: 00779, SCALE: 10:1, SHEET: 1 of 1, REV: J2

CUSTOMER DRAWING