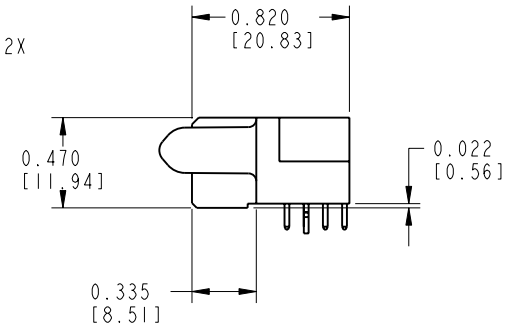
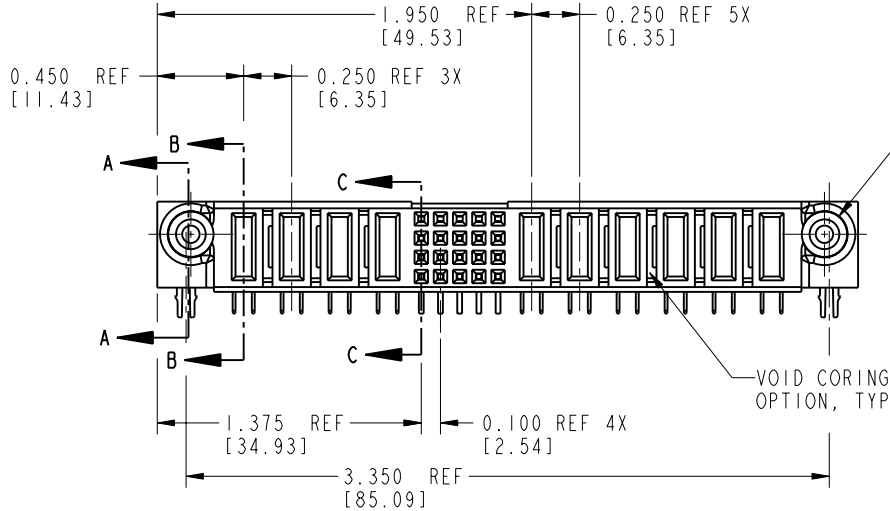
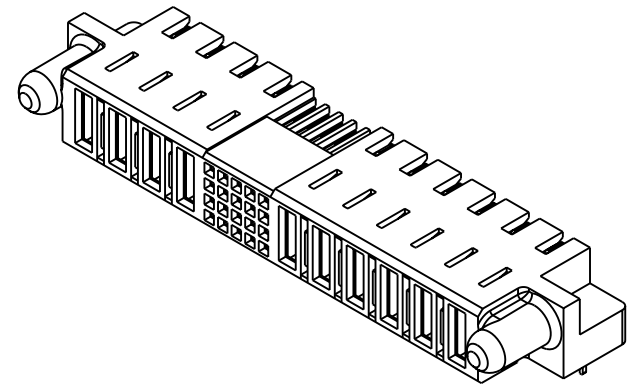
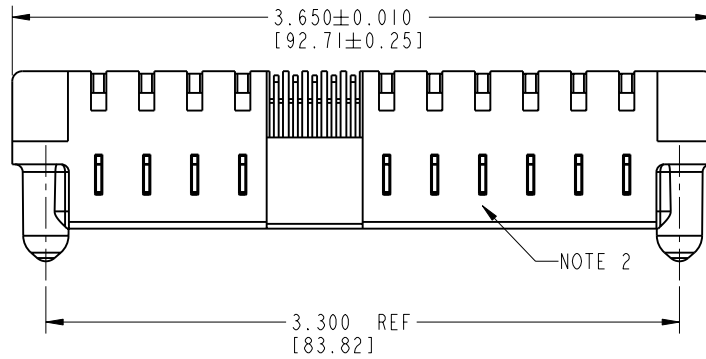


Tous droits strictement réservés. Reproduction ou communication o des liens interdite sous quelque forme que ce soit sans autorisation écrite du propriétaire. Propriété de c FCI. Droits de reproduction FCI.

All rights strictly reserved. Reproduction or issue to third parties in any form, whatever is not permitted without written authority from the proprietor. Property of FCI. Copyright FCI.

PRODUCT NUMBER

51830-001__
NOTE: 3



mat'l code				SEE NOTES		tolerances unless otherwise specified		CUSTOMER		 www.fciconnect.com	
ltr	ecn no.	dr	date	linear	.XX±.01/0.X±0.3		COPY		 title 6P + 20S + 4P R/A SOLDER RECEPTACLE		
A	V02395	JRW	11/13/00		.XXX±.005/0.XX±0.13		INCH/MM		product family PwrBlade code 213		
B	V12136	EDT	08/17/01		.XXX±.0005/0.XXX±.051		scale 1:1		size dwg no A 51830 sheet 1 of 3		
C	DG05-0530	GvoJM	12/12/05	angles	0°±2°						
				dr	E. KORFF	07-10-00					
				engr	J. BROWN	07-10-00					
				chr	J. BROWN	07-10-00					
				appd	J. BROWN	07-10-00					
sheet index	revision sheet	C	C	C							
		1	2	3							

Pro/E

cage code 22526

PDM: Rev:C

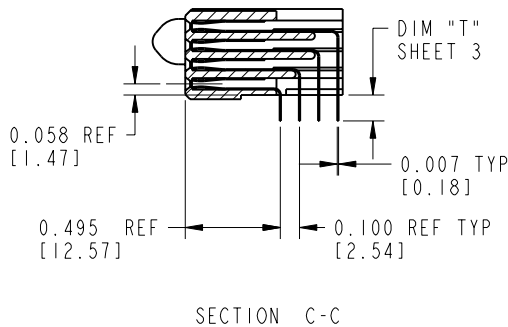
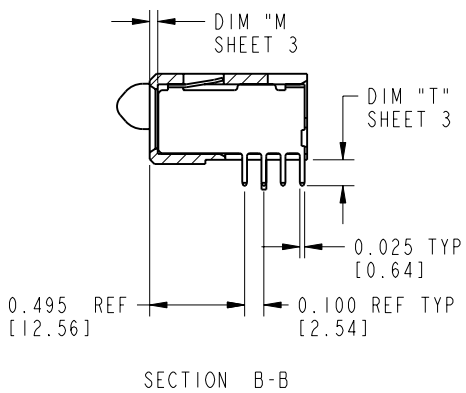
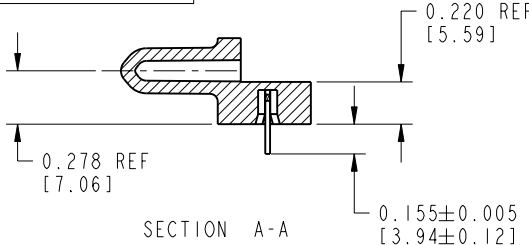
STATUS: Released

Printed: Dec 20, 2010

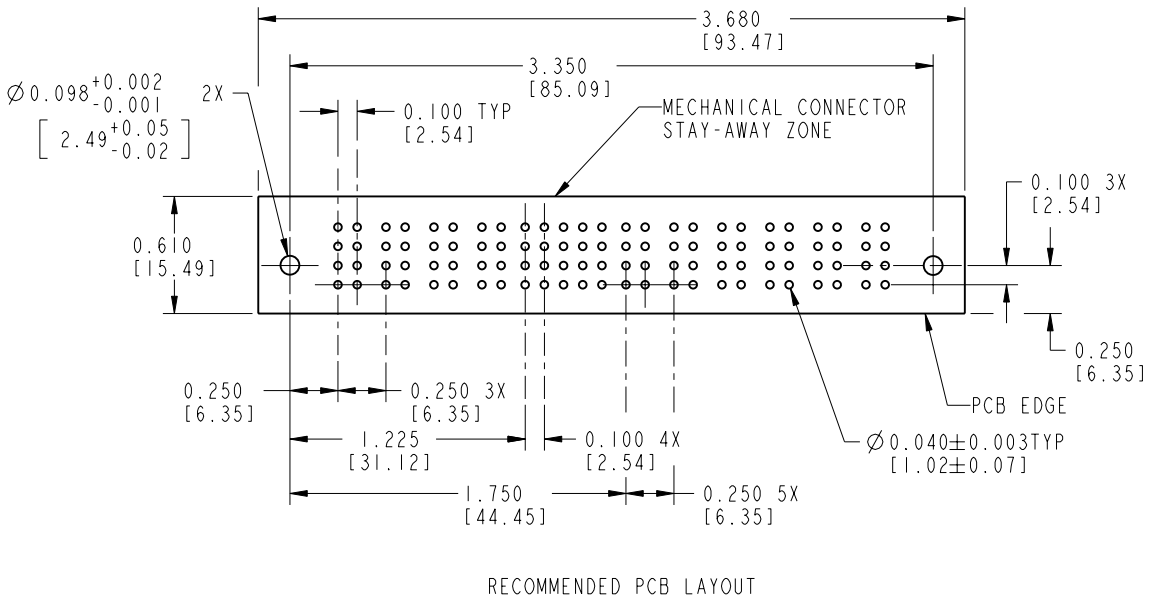
Tous droits strictement réservés. Reproduction ou communication o des liers interdite sous quelque forme que ce soit sans autorisation écrite du propriétaire. Propriété de c FCI. Droits de reproduction FCI.

All rights strictly reserved. Reproduction or issue to third parties in any form, whatever is not permitted without written authority from the proprietor. Property of FCI. Copyright FCI.

PRODUCT NUMBER
51830-001--
NOTE: 3



PRODUCT No.	ROWS	POWER				SIGNAL				POWER				E1					
		E2	P10	P9	P8	P7	5	4	3	2	1	P6	P5		P4	P3	P2	P1	
51830-001-- NOTE: 3	D C B A	HA	PA	PA	PA	PA	H	H	H	H	H	H	PA	PA	PA	PA	PA	PA	HA



mat'l code		SEE NOTES		tolerances unless otherwise specified		CUSTOMER		 www.fciconnect.com	
lfr	ecn no.	dr	date	linear	.XX±.01/0.XX±0.3	COPY		title	
C				angles	.XXX±.005/0.XX±0.13	projection		6P + 20S + 4P	
				dr	.XXX±.0005/0.XXX±.051			R/A SOLDER RECEPTACLE	
				engr	0°±2°	INCH/MM		product family	
				chr	E. KORFF 07-10-00	scale		PwrBlade	
				appd	J. BROWN 07-10-00	1:1		code	
					J. BROWN 07-10-00			213	
sheet index	revision sheet							sheet	
								2	

cage code 22526

Pro/E

Tous droits strictement réservés. Reproduction ou communication o des liens interdite sous quelque forme que ce soit sans autorisation écrite du propriétaire. Propriete de c FCI. Droits de reproduction FCI.

A FCI

All rights strictly reserved. Reproduction or issue to third parties in any form, whatever is not permitted without written authority from the proprietor. Property of FCI. Copyright FCI.

A

A

PRODUCT NUMBER
51830-001--
NOTE: 3

ITEM NO.	QTY	DIM "M" MATING LENGTH ±.010	DIM "T" TAIL LENGTH ±.010	CONTACT TYPE
E	5	N/A [N/A]	0.135 [3.43]	SIGNAL
F	5	N/A [N/A]	0.135 [3.43]	SIGNAL
G	5	N/A [N/A]	0.135 [3.43]	SIGNAL
H	5	N/A [N/A]	0.135 [3.43]	SIGNAL
PA	10	0.042 [1.07]	0.135 [3.43]	POWER
HA	2	N/A [N/A]	N/A [N/A]	HOLD-DOWN

CONNECTORS - NOTES:

- HOUSING MATERIAL: UL 94 V-0 GLASS FILLED HIGH TEMP THERMOPLASTIC
SIGNAL CONTACT MATERIAL: COPPER ALLOY
POWER CONTACT MATERIAL: COPPER ALLOY
- "MANUFACTURER" NAME, P/N, AND DATE CODE TO APPEAR ON THIS SURFACE
- PLATING:

51830-001 Singal Pin:30u"/0.76um Au OVER 50u"/1.27um Ni ON THE CONTACT AREA.
AND 100u"/2.54um SnPb PLATING OVER 50u"/1.27um Ni ON THE TERMINATION SECTION.
Power Pin:30u"/0.76um Au OVER 50u"/1.27um Ni ON THE CONTACT AREA,
AND 100u"/2.54um SnPb PLATING OVER 50u"/1.27um Ni ON THE TERMINATION SECTION.

51830-001LF Singal Pin:30u"/0.76um Au OVER 50u"/1.27um Ni ON THE CONTACT AREA.
AND 78u"/2.00um Sn PLATING OVER 50u"/1.27um Ni ON THE TERMINATION SECTION.
Power Pin:30u"/0.76um Au OVER 50u"/1.27um Ni ON THE CONTACT AREA,
AND 78u"/2.00um Sn PLATING OVER 50u"/1.27um Ni ON THE TERMINATION SECTION.

PART NUMBER 51830-001LF MEETS EUROPEAN UNION DIRECTIVE AND OTHER ICOUNTRY REGULATIONS AS DESCRIBED IN GS-22-008.

THE HOUSING WILL WITHSTAND EXPOSURE TO 260° PEAK TEMPERATURE FOR 10 SECONDS IN A WAVE SOLDER APPLICATION WITH A CIRCUIT BOARD.

4. PRODUCT SPECIFICATION GS-12-149

PCB - NOTES

- ALL DIMENSIONS ARE BASIC UNLESS OTHERWISE SPECIFIED.
- ALL THROUGH HOLES ARE LOCATED WITH A TRUE POSITION OF .004
- ALL HOLE DIAMETERS ARE FINISHED HOLE SIZE
- Ø0.098 THROUGH HOLES ARE UNPLATED
- Ø.0453/1.151 DRILLED HOLES
PLATED WITH .0003/.007 MIN SnPb
OVER .001/.03 to .003/.08 Cu PLATING TO ACHIEVE
A .040±.003/1.02±.08 HOLE

mat'l code		SEE NOTES		tolerances unless otherwise specified		CUSTOMER	
lfr	ecn no.	dr	date	linear	.XX±.01/0.X±0.3	projection	COPY
C				angles	.XXX±.005/0.XX±0.13		title
				dr	.XXXX±.0005/0.XXX±.051	INCH/MM	6P + 20S + 4P
				engr	0°±2°	scale	R/A SOLDER RECEPTACLE
				chr	E. KORFF 07-10-00	1:1	product family
				appd	J. BROWN 07-10-00		PwrBlade
					J. BROWN 07-10-00		code
sheet index	revision sheet						213
							sheet
							3

B

B

1 | 2

Pro/E

3 |

cage code 22526

4