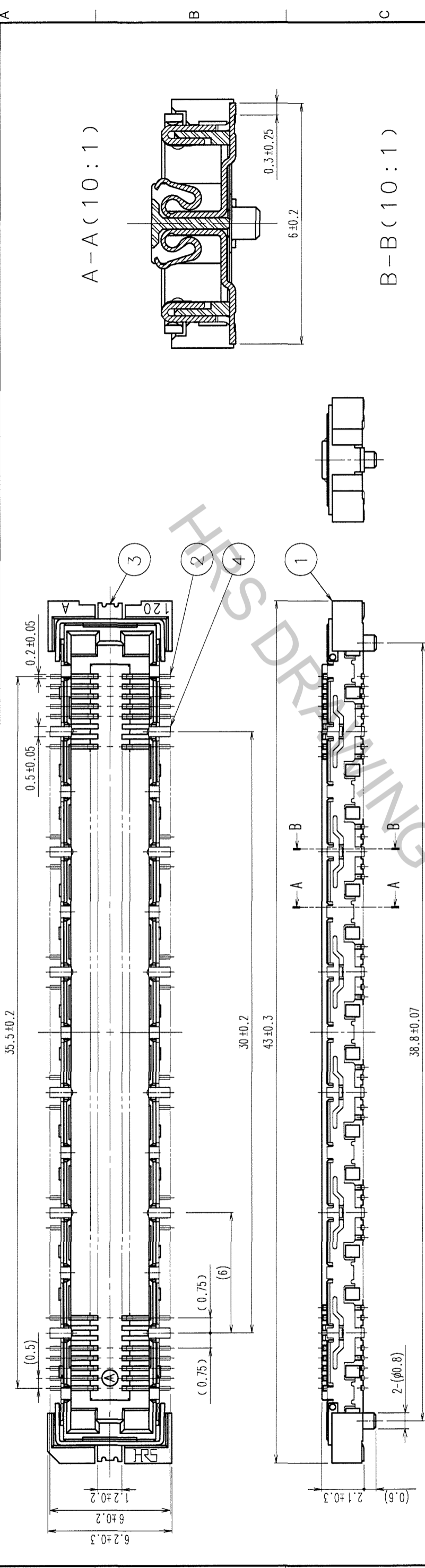
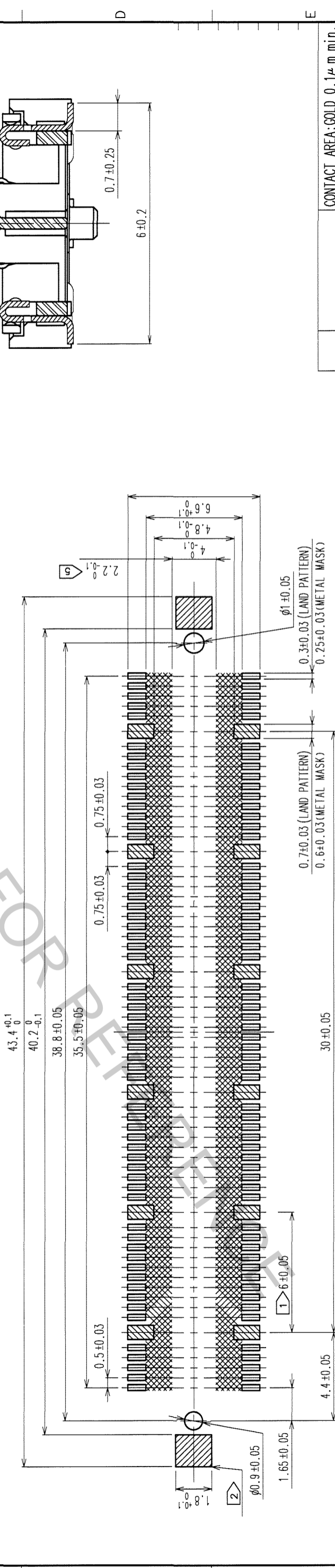


1	2	3	4	5	6	7	8		
COUNT	DESCRIPTION OF REVISIONS	BY	CHKD	DATE	COUNT	DESCRIPTION OF REVISIONS	BY	CHKD	DATE



RECOMMENDED LAND PATTERN DIMENSION OF PCB



NO.	MATERIAL	FINISH, REMARKS	DRAWN	DESIGNED	CHECKED	APPROVED	RELEASED
3, 4	PHOSPHOR BRONZE	TIN-PLATING					
1	LCP	BEIGE UL94V-0					
NO.	MATERIAL	FINISH, REMARKS	DRAWN	DESIGNED	CHECKED	APPROVED	RELEASED
			K.NAKAMURA	K.NAKAMURA	K. Ogawa	H. Okawa	
			06.02.20	06.02.20	06-02-20	06-02-20	

CONTACT AREA: GOLD 0.1μm min.	2	PHOSPHOR BRONZE					
LEAD AREA: GOLD FLASH							
UNDER PLATING: NICKEL 1μm min.							

DRAWING NO.	PART NO.
EDC3-152635-25	FX11A-120S/12-SV(71)
SCALE	CODE NO.
5 : 1	CL573-0705-7-71
UNITS	
mm	

- NOTES
- 12 HATCHED PARTS: GROUND CIRCUIT.
 - 2 HATCHED PARTS: GROUND CIRCUIT.
 - 3 SMT LEAD-COPLANARITY: 0.1 MAX.
 - 4 THIS PRODUCT HAS NO POLARITY TO PATTERN FOR MOUNTING.
 - 5 MAKE SURE WIDTH OF PATTERN IS WITHIN THAT OF LAND, OR LEAD MAY TOUCH PATTERN. (THIS APPLIES TO HATCHED AREA.)
 - 6 DIMENSIONS IN PARENTHESES ARE FOR REFERENCE.

TO PCK