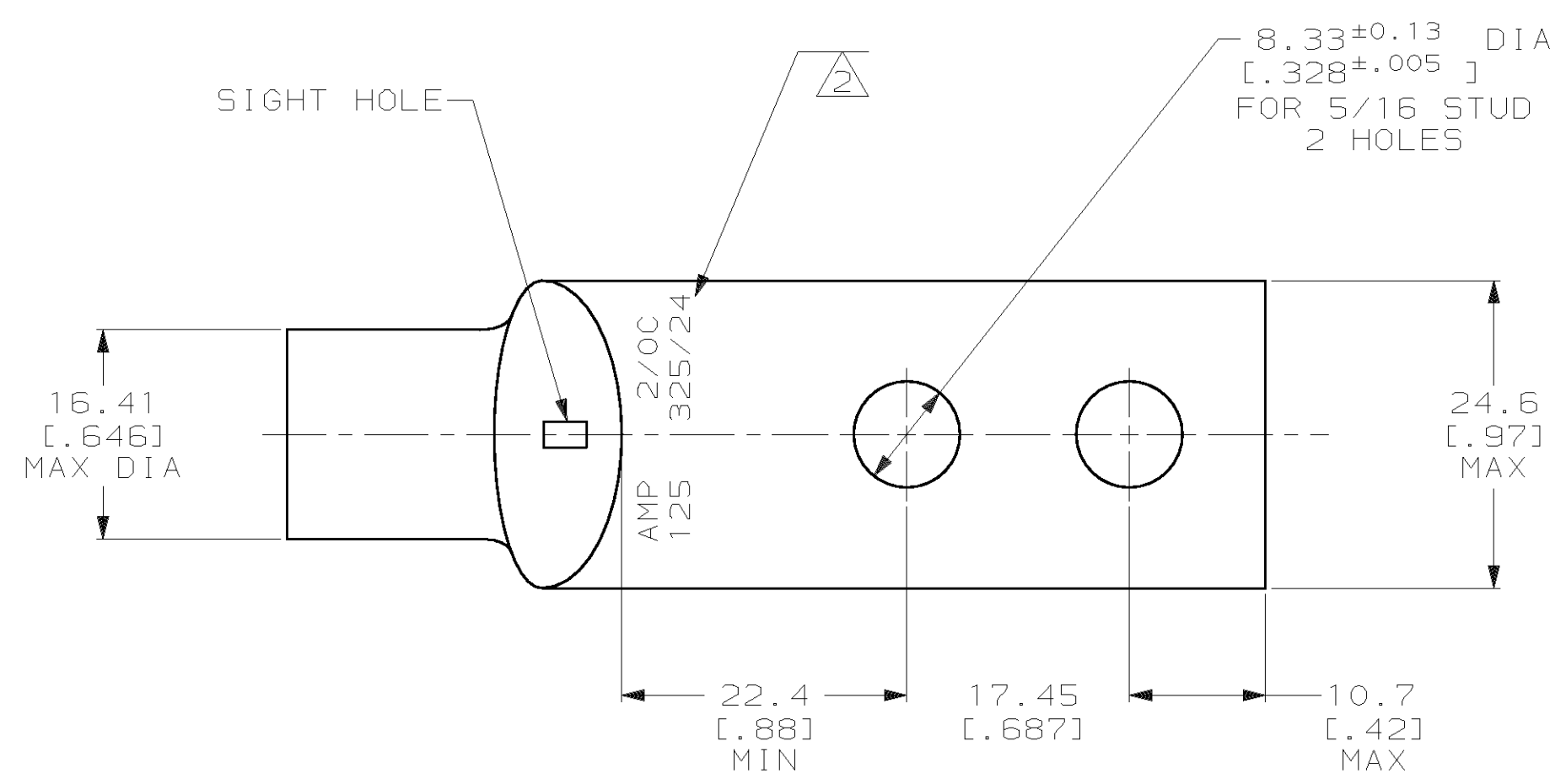
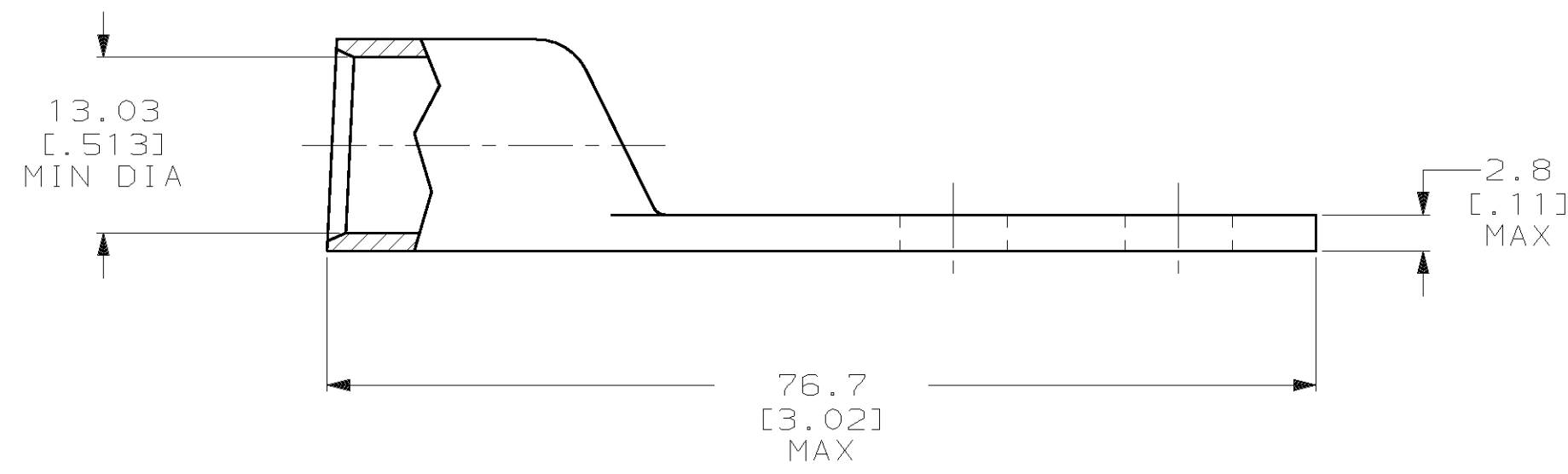


THIS DRAWING IS UNPUBLISHED. RELEASED FOR PUBLICATION, 19 .
 © COPYRIGHT 19 BY AMP INCORPORATED. ALL INTERNATIONAL RIGHTS RESERVED.

LOC		DIST		P		F		ZONE		LTR		REVISIONS		DATE	APPD
G		86												030CT02	JR MS
												D	REV PER 063A-0561-01		



- 1 CIRCULAR MIL RANGE: 119,500-150,500 CM
- 2 STAMP CHARACTERS APPROX AS SHOWN



50990

50990
PART NO

DO NOT SCALE PRINT. UNLESS SPECIFIED DIMENSIONS IN mm [INCHES] TOLERANCES ON : 2 PLC DEC ± - 3 PLC DEC ± - ANGLES ± -		DR 17AUG94 DK SCHRUM		AMP Incorporated Harrisburg, PA 17105-3608	
MATERIAL COPPER PER ASTM B-75 ANNEALED		CHK 18AUG94 AJ KAUFMAN			
FINISH TIN PLATE 0.00381 [0.00150] MIN THK PER MIL-T-10727		APPD 18AUG94 RE ROSER		NAME TERMINAL, AMPOWER, WIRE SIZE: 2/0 AWG	
THIS DRAWING IS A CONTROLLED DOCUMENT FOR AMP INCORPORATED. IT IS SUBJECT TO CHANGE AND THE CONTROLLING ENGINEERING ORGANIZATION SHOULD BE CONTACTED FOR THE LATEST REVISION.		APPD 18AUG94 JL MECKLEY		DRAWING NO C-50990	
		PRODUCT SPEC -		SIZE C 00779	
		APPLICATION SPEC -		CAGE CODE 00779	
		WEIGHT .079 LBS		DRAWING NO C-50990	
				SCALE 2:1	
				SHEET 1 OF 1	