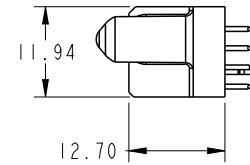
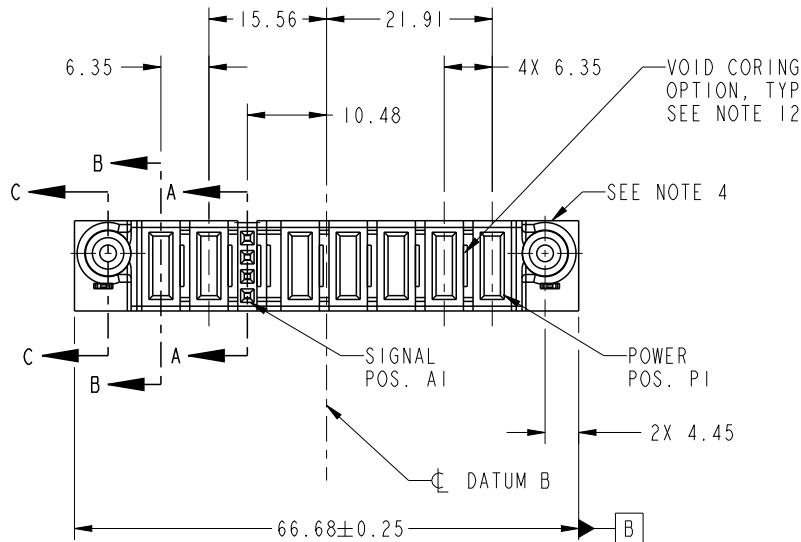


PRODUCT NO.	ROWS	POWER					SIGNAL					POWER				
		E2	P7	P6	1	P5	P4	P3	P2	P1	E1					
51940-420-- NOTE: 3	D C B A		PA	PA	E E E E	PA	X	PA	X	PA						

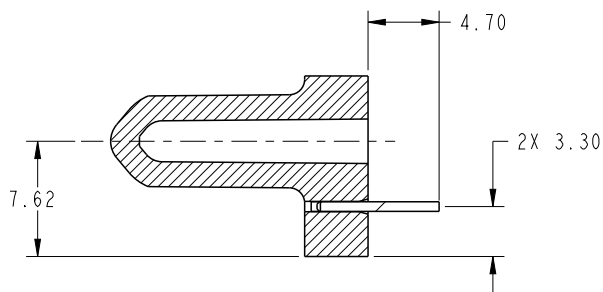
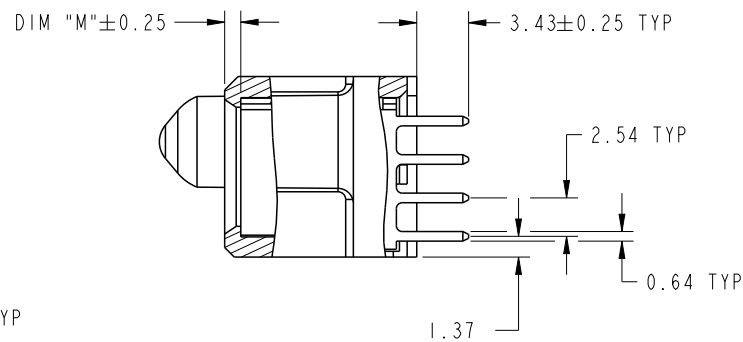
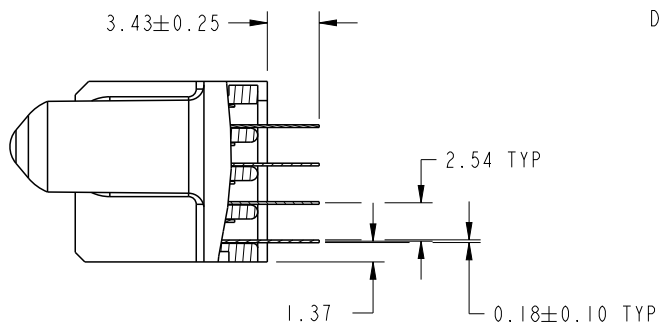


CODE	DIM "M" MATING LENGTH	CONTACT TYPE
E	[N/A]	SIGNAL
PA	[1.07]	POWER
HA	[N/A]	HOLD-DOWN
X	OMITTED	OMITTED

spec ref	*	dr	X Q Wang	2012/01/19	projection	MM	size	A4	scale	1:1
tolerance std	TOLERANCES UNLESS OTHERWISE SPECIFIED	eng	Luo Weller	2012/09/20			ecn no	-		
SEE NOTE		chr	-	-	product family			PwrBlade	rel level	Released
surface	linear	0.X	±0.5		5P + 4S + 2P	dwg no	51940-420	rev	A	
		0.XX	±0.25							
		0.XXX	±0.1							
	angular	0°	±2°	www.fci.com	cat. no.	-	Product - Customer Drw	sheet 1 of 4		

PRODUCT NUMBER

51940-420__
NOTE: 3



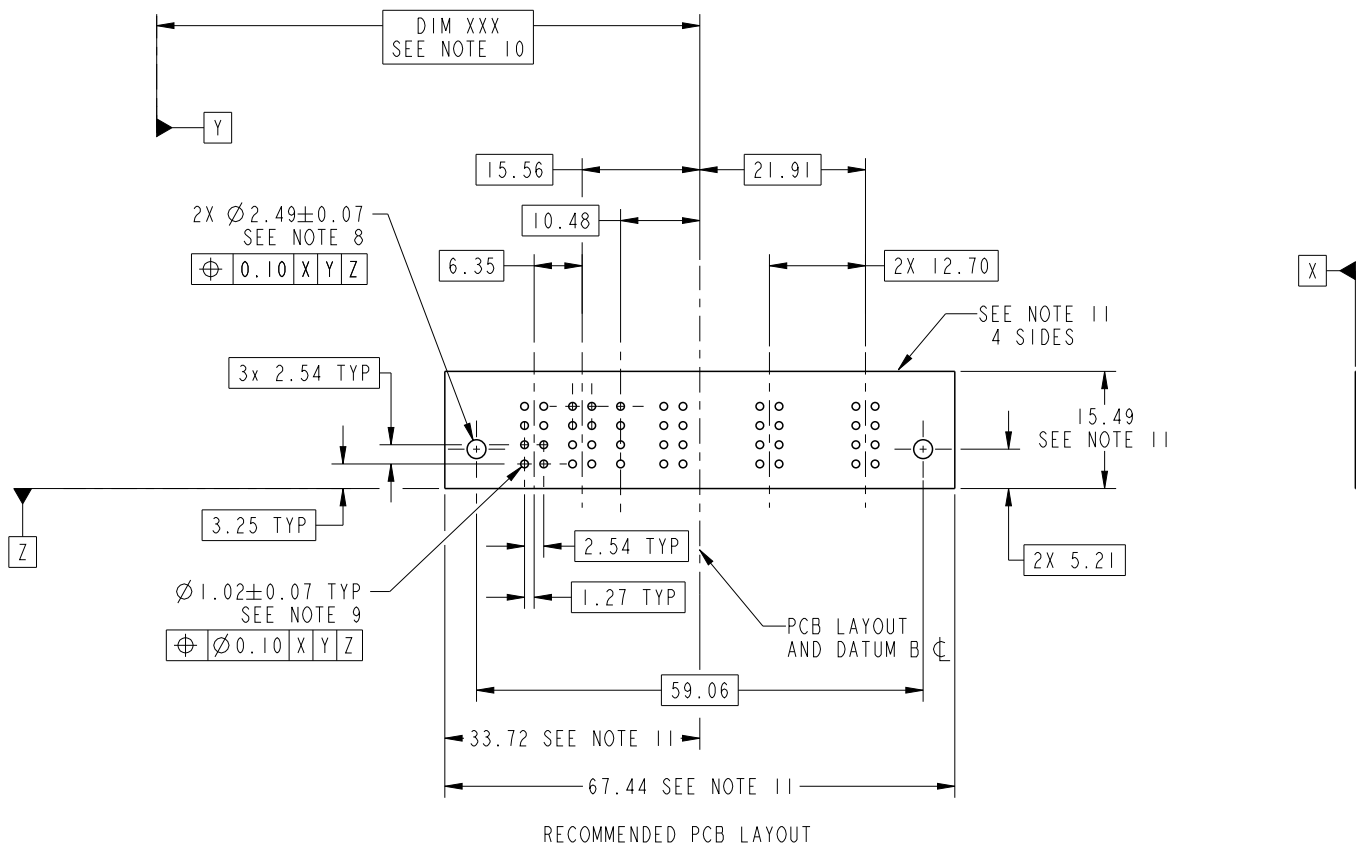
dr	X Q Wang	2012/01/19	projection 	MM 	size	A4	scale	1:1
eng	Luo Weller	2012/09/20			ecn no	-		
chr	-	-			rel level	Released		
appr	Pei-Ming Zheng	2012/09/20	product family	PwrBlade	rev	A		
	title	5P + 4S + 2P VERTICAL SOLDER RECEPT		dwg no	51940-420			
www.fci.com	cat. no.	-	Product - Customer Drw	sheet 2 of 4				



Copyright FCI.

PRODUCT NUMBER

51940-420__
NOTE: 3



dr	X Q Wang	2012/01/19	projection 	MM ←→	size	A4	scale	1:1	
eng	Luo Weller	2012/09/20			ecn no	-			
chr	-	-			rel level	Released			
appr	Pei-Ming Zheng	2012/09/20	product family	PwrBlade					
	title	5P + 4S + 2P VERTICAL SOLDER RECEPT			dwg no	51940-420		rev	A
www.fci.com	cat. no.	-	Product - Customer Drw			sheet 3 of 4			

PRODUCT NUMBER

51940-420__
NOTE: 3

NOTES:

1. DIMENSIONS AND TOLERANCES ARE IN ACCORDANCE WITH ASME Y14.5M, 1994 UNLESS OTHERWISE SPECIFIED.

CONNECTOR NOTES:

- 2 HOUSING MATERIAL: UL 94 V-0 GLASS FILLED HIGH-TEMP THERMOPLASTIC
POWER CONTACT MATERIAL: COPPER ALLOY
SIGNAL PIN MATERIAL: COPPER ALLOY
- 3. SEE ITEM 5 & 6 IN PRINT 10064183 FOR PLATING SPEC OF 51940-420 AND 51940-420LF RESPECTIVELY.
- 4 MANUFACTURER'S NAME, DATE CODE AND OPTIONAL P/N TO APPEAR ON THIS SURFACE. THE P/N CAN BE OMITTED IF THERE IS NOT ENOUGH SPACE ON THIS SURFACE.
- 5. PRODUCT SPECIFICATION GS-12-149.
APPLICATION SPECIFICATION BUS-20-067.
- 6. PACKAGED IN TRAYS.
- PCB NOTES:
- 7. ALL HOLE DIAMETERS ARE FINISHED HOLE SIZE.
- 8 MOUNTING HOLES, WHERE APPLICABLE, ARE UNPLATED.
- 9 $\varnothing 1.151 \pm 0.025$ DRILLED HOLES PLATED WITH
0.008 MIN SnPb OR Sn OVER 0.03
TO 0.08 Cu PLATING TO ACHIEVE
 $\varnothing 1.02 \pm 0.07$ HOLE.
- 10 "DIM XXX" TO BE DETERMINED BY THE CUSTOMER.
- 11 CONNECTOR KEEP-OUT ZONE.
- 12. THE VOID CORING IN BETWEEN POWER MODULES, SIGNAL MODULES AND END MODULES ARE OPTIONAL AND THE SHAPE MAY BE DIFFERENT FOR OPTIMIZE THE MOLDING PROCESS. THE VOID CORING WILL NOT EFFECT TO PRODUCT FUNCTION.

dr	X Q Wang	2012/01/19	projection 	MM 	size	A4	scale	1:1	
eng	Luo Weller	2012/09/20			ecn no	-			
chr	-	-							
appr	Pei-Ming Zheng	2012/09/20	product family	PwrBlade	rel level	Released			
	title	5P + 4S + 2P VERTICAL SOLDER RECEPT			dwg no	51940-420		rev	A
www.fci.com	cat. no.	-	Product - Customer Drw			sheet 4 of 4			