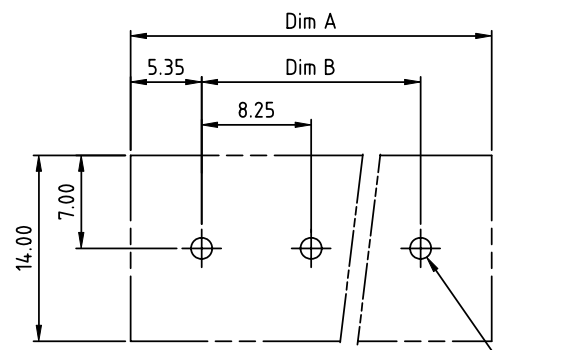
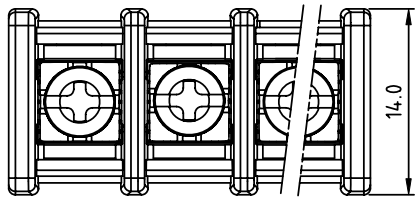
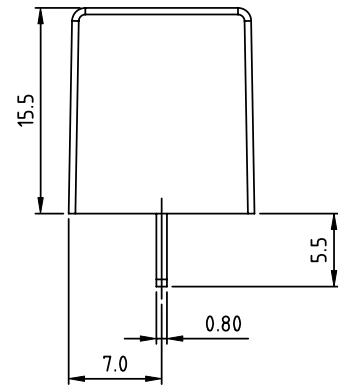
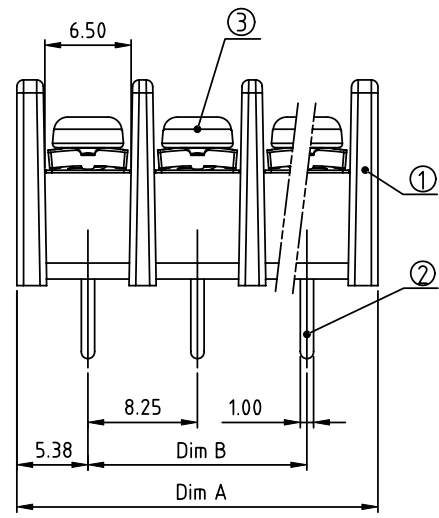


PRODUCT NUMBER	PITCH
YK412xx0x0JOG	8.25 mm



RECOMMENDED P.C.B LAYOUT
TOP VIEW



MATERIALS & ELECTRICAL
 RATED VOLTAGE & CURRENT: 300 V, 20 A
 WITHSTAND VOLTAGE: AC 2000 V/Min
 INSULATION RESISTANCE: 1000 MΩ OR MORE AT DC 500 V
 OPERATING TEMPERATURE RANG: -40 °C ~ +115 °C
 SCREW TORQUE VALUE: 8.8 Lb-In.
 WIRE RANGE: 22 - 12 AWG
 1) HOUSING: THERMOPLASTIC, UL 94 V-0 BLACK
 2) TERMINAL: BRASS, 0.8t
 3) TERMINAL SCREWS: STEEL, M3
 APPROVAL: us

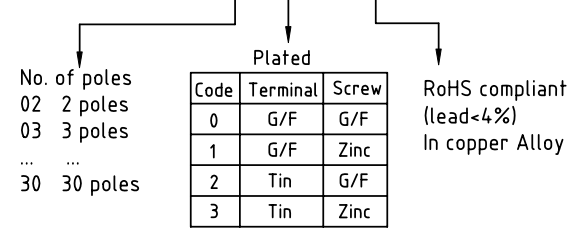
DIMENSION

Dim A	N×8.25+2.5
Dim B	(N-1)×8.25

N=Number of poles

Poles	Tolerance
2p-5p	±0.25
6p-10p	±0.35
11p-18p	±0.40
19p-30p	±0.50

PART NO.: YK 412xx 0 x 0 JOG



mat'l. code		surface ASME Y14.5	tolerance ASME Y14.5	projection 	product family TERMINAL BLOCK
ltr	ecn no	dr	date	tolerances unless otherwise specified	title TERMINAL BLOCK
				angles X°±1°	BARRIER TYPE
				scale MM	sheet 1 of 1 size A4
				dr EVAN LU 061314	FCI YK412xx0x0JOG CUSTOMER Drawing
				enr EVAN LU 061314	
				chr HANKE FENG 061314	
				appd SHI JUN 061314	
sheet index	revision sheet	A	1		