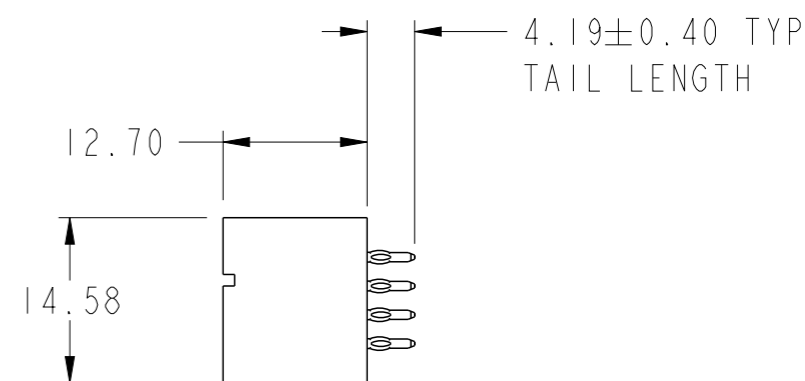
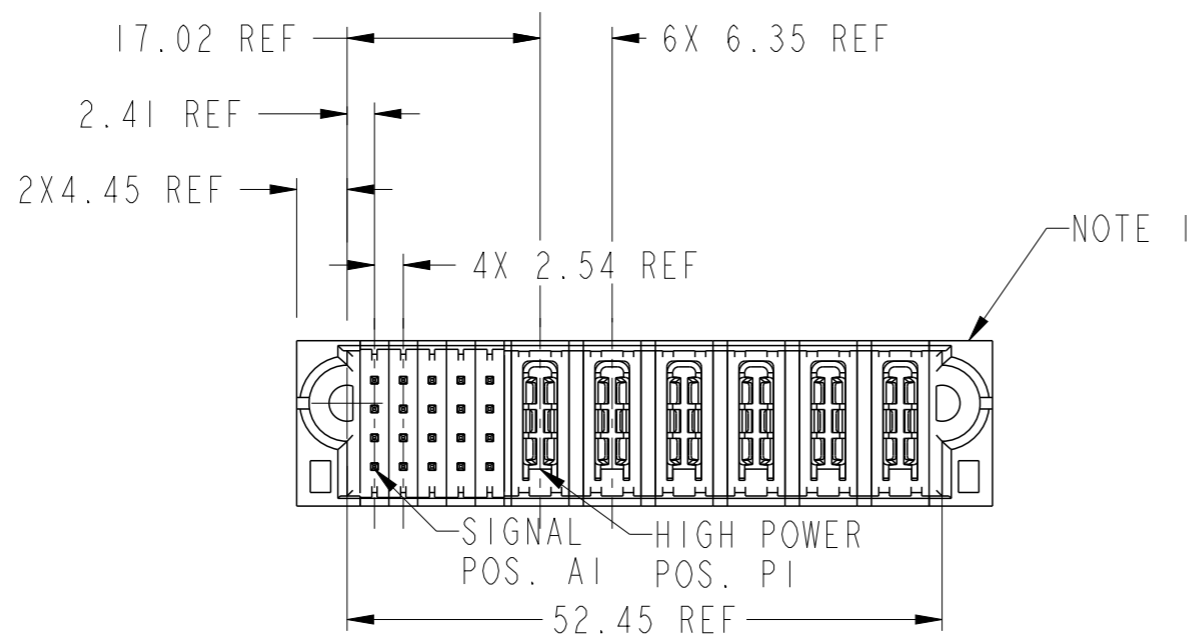
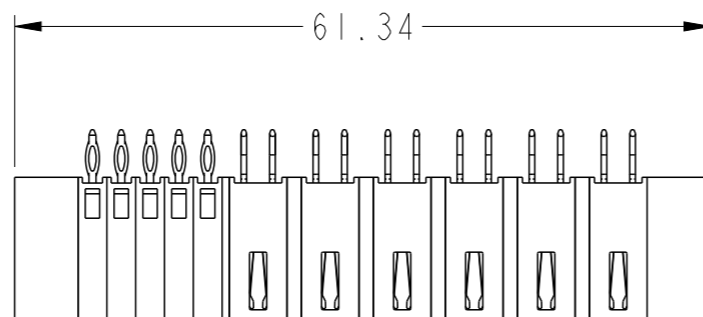
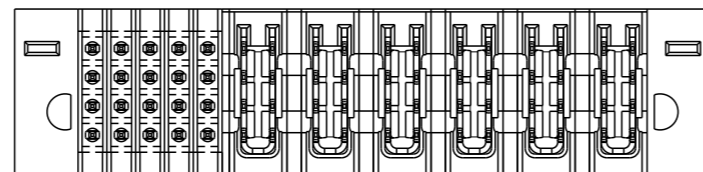


PART NUMBER SEE SHEET 2



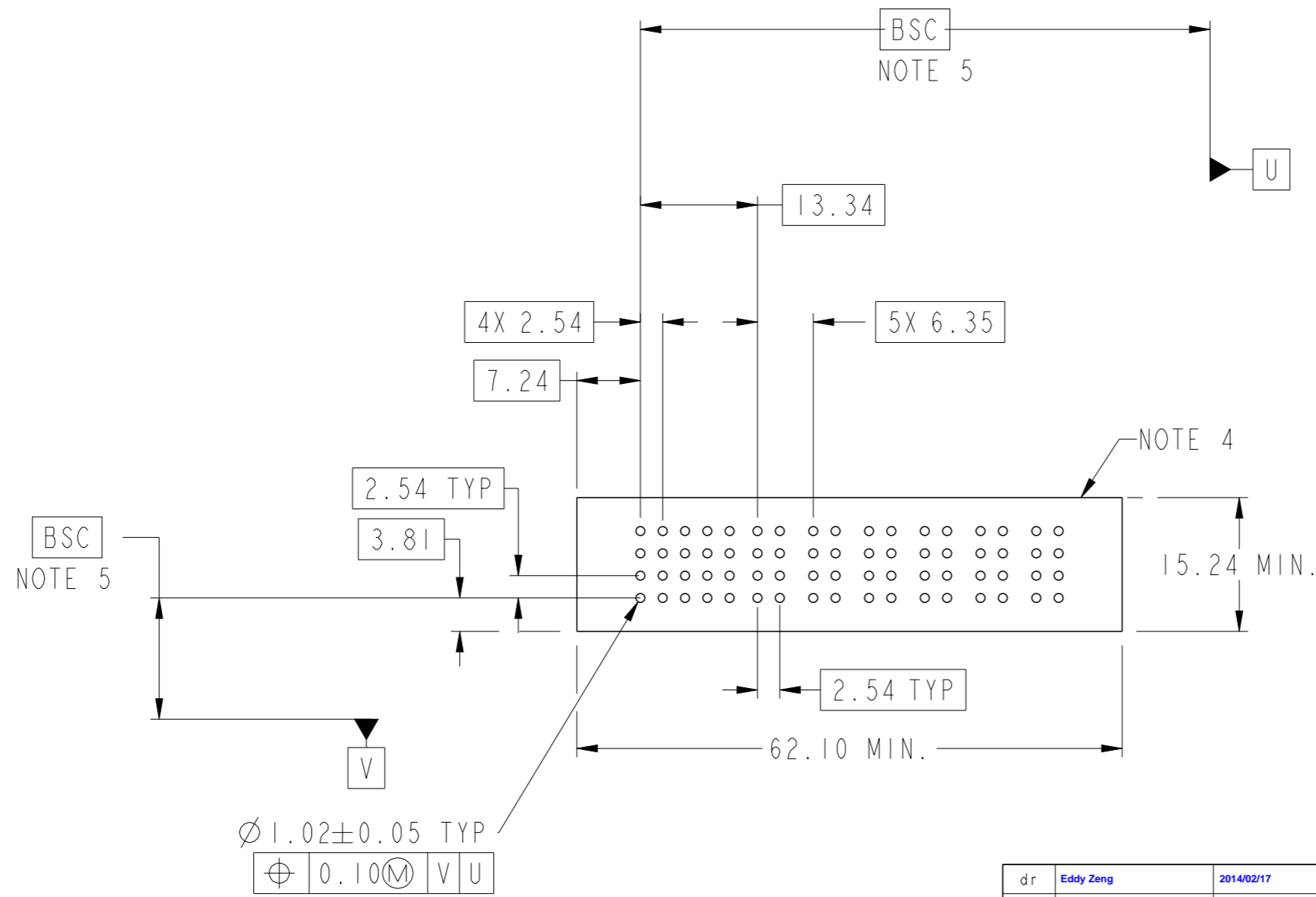
spec ref	*	dr	Eddy Zeng	2014/02/17	projection	MM	size	A3	scale	3:2
tolerance std	ASME Y14.5	eng	Eddy Zeng	2014/04/18			ecn no		-	
TOLERANCES UNLESS OTHERWISE SPECIFIED		chr	Li-He	2014/04/16			product family		PwrBlade+	
surface	<input checked="" type="checkbox"/> linear <input type="checkbox"/> angular	appr	Pei-Ming Zheng	2014/04/18				cat. no. 20S + 6HP VERTICAL PF HEADER		dwg no 10106129-6005001 rev A
ASME Y14.5	linear: 0.X ±0.5, 0.XX ±0.25, 0.XXX ±0.10 angular: 0° ±2°	www.fci.com			Product - Customer Drw			sheet 1 of 3		



Copyright FCI.

PRODUCT NO. 10106129-6005001LF	ROWS DCBA	SIGNAL					HIGH POWER						E2
		E1	1	2	3	4	5	P1	P2	P3	P4	P5	
		G	G	G	G	G	H4	H4	H4	H4	H4	H4	

CODE	DESCRIPTION
G	STD SIGNAL CONTACT
H4	STD HIGH POWER CONTACT



dr	Eddy Zeng	2014/02/17	projection	MM	size	A3	scale	3:2
eng	Eddy Zeng	2014/04/18			ecn no		-	
chr	Li-He	2014/04/16			rel level		Released	
appr	Pei-Ming Zheng	2014/04/18	product family		PwrBlade+			
			title 20S + 6HP VERTICAL PF HEADER			dwg no 10106129-6005001		rev A
www.fci.com			cat. no.		Product - Customer Drw		sheet 2 of 3	

Copyright FCI.

A

B

C

D

A

B

C

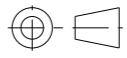
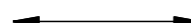

D

NOTES:

- 1) "FCI", PART NUMBER AND DATE CODE TO BE MARKED ON THIS SURFACE.
THE MARK CAN BE OMITTED IF THERE IS NOT ENOUGH SPACE ON THIS SURFACE.
- 2) MATERIALS:
-HOUSING - GLASS FILLED WITH HIGH TEMP THERMOPLASTIC, UL94V-0.
-SIGNAL CONTACT - COPPER ALLOY.
-POWER CONTACT - HIGH CONDUCTIVITY COPPER ALLOY.
- 3) PLATING SPECIFICATION REFER TO FCI 10116351
- 4) DENOTES CONNECTOR KEEP OUT ZONE.
- 5) DATUM AND BASIC DIMENIONS WERE ESTABLISHED BY CUSTOMER.
- 6) ALL HOLE DIAMETERS ARE FINISHED HOLE SIZES.
- 7) 1.15 ± 0.025 MM DRILLED HOLE PLATED WITH 0.00762MM MIN Sn
OVER 0.0254-0.0762MM Cu PLATING TO ACHIEVE A 1.02 ± 0.07 MM HOLE.
- 8) PRODUCT SPECIFICATION REFER TO FCI GS-12-658.
APPLICATION SPECIFICATION REFER TO FCI GS-20-141.
PRODUCT PACKAGED IN TRAYS, REFER TO FCI GS-14-1502.



Copyright FCI.

dr	Eddy Zeng	2014/02/17	projection 	MM 	size	A3	scale	3:2
eng	Eddy Zeng	2014/04/18			ecn no	-		
chr	Li-He	2014/04/16			rel level	Released		
appr	Pei-Ming Zheng	2014/04/18	product family	PwrBlade+				
		title 20S + 6HP VERTICAL PF HEADER		dwg no 10106129-6005001	rev A			
www.fci.com		cat. no.	Product - Customer Drw		sheet 3 of 3			