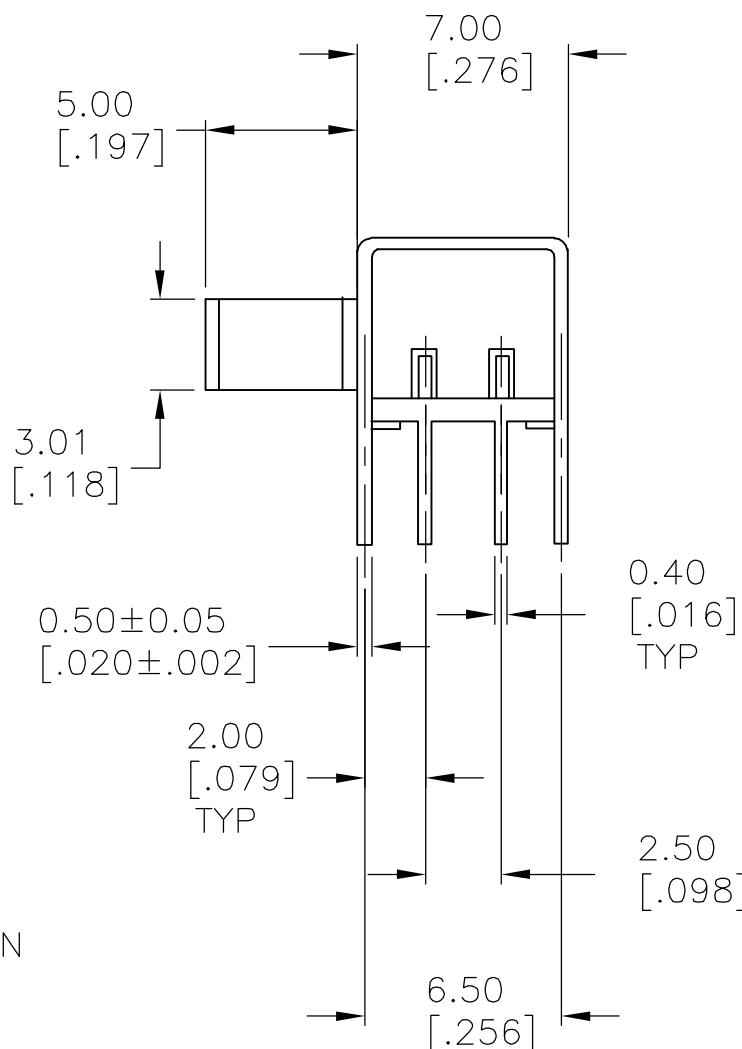
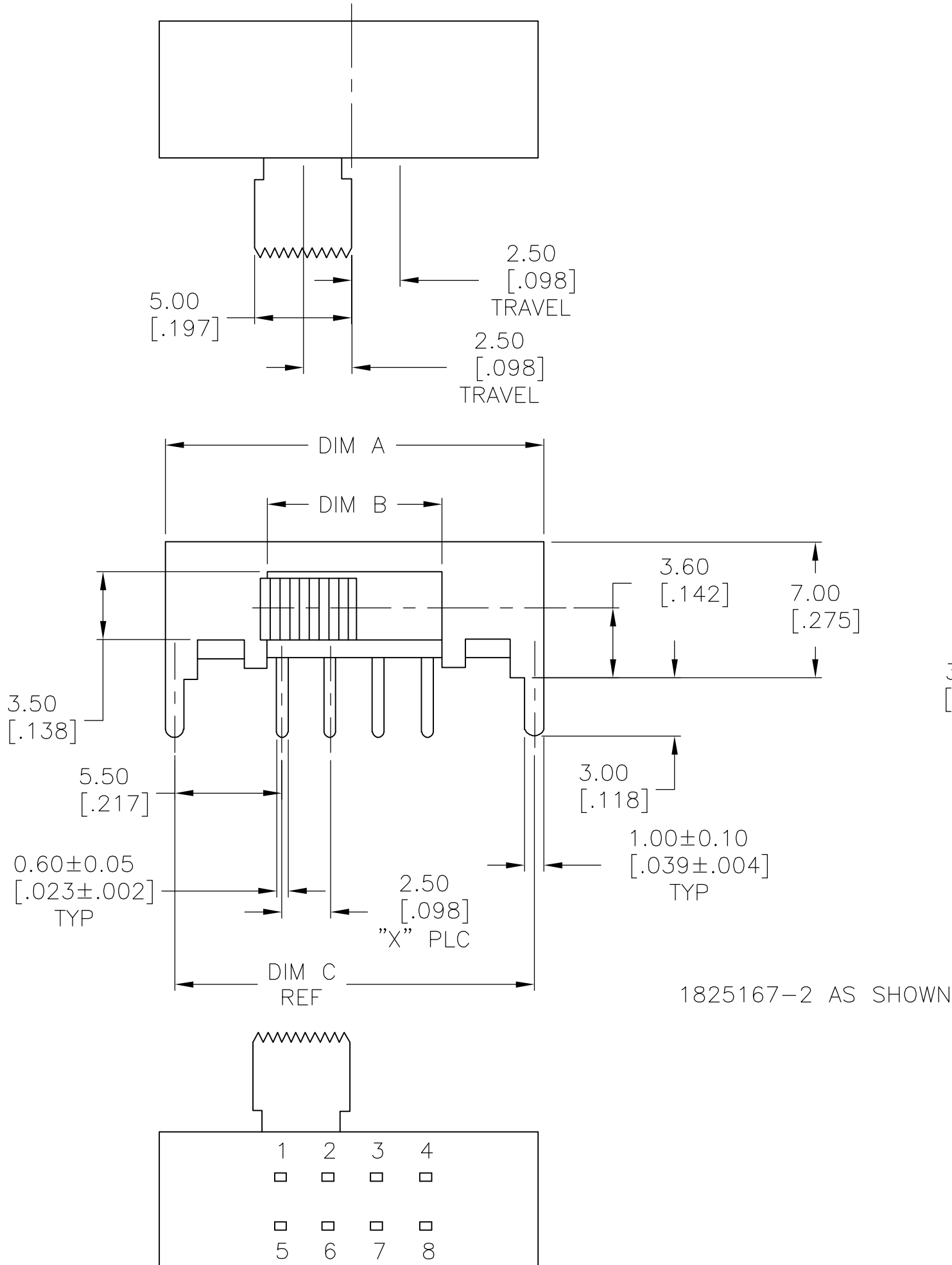


THIS DRAWING IS UNPUBLISHED. RELEASED FOR PUBLICATION  
 © COPYRIGHT BY TYCO ELECTRONICS CORPORATION. ALL RIGHTS RESERVED.

LOC		DIST		REVISIONS			
AD	00	P	LTR	DESCRIPTION	DATE	DWN	APVD
		A1		ECO-06-029077	06FEB2007	RB	MS



SPECIFICATIONS:  
 MAKE-BEFORE-BREAK

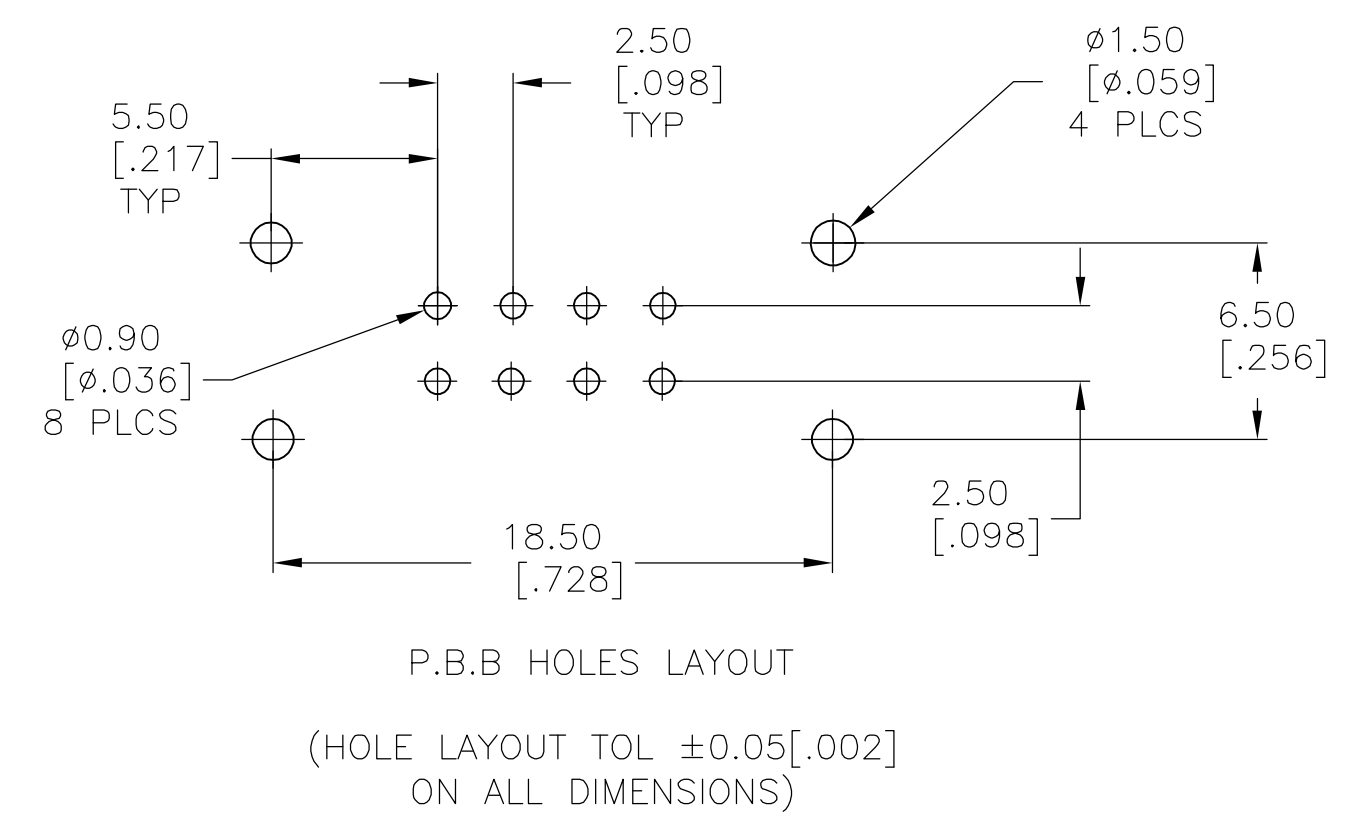
MATERIALS:  
 FRAME: STEEL, ZINC PLATE  
 ACTUATOR: POM UL94HB, BLACK  
 FIXED CONTACT/TERMINAL: COPPER ALLOY,  
 MOVING CONTACT: COPPER ALLOY, SILVER CLAD  
 COIL SPRING- TEMPERED STEEL WIRE  
 BALL- TEMPERED CARBON STEEL  
 TERMINAL BOARD- PHENOLIC, UL94HB  
 TERMINAL SEAL- EPOXY

ELECTRICAL:  
 CONTACT RATING-250 MILLIAMPS@125V AC  
 CONTACT RESISTANCE-30 MILLIOHMS MAX (INITIAL), 60 MILLIOHMS AFTER TEST  
 INSULATION RESISTANCE-500 MEGOHMS MIN AT 500V DC  
 DIELECTRIC STRENGTH-500 VAC RMS AT SEA LEVEL  
 LIFE EXPECTANCY-10,000 CYCLES MIN. NO LOAD

MECHANICAL:  
 ACTUATION FORCE-250 +150/-100 GRAMS  
 TRAVEL-.098 (2.49MM)

ENVIRONMENTAL:  
 OPERATING TEMPERATURE- -10° C TO +60° C  
 STORAGE TEMPERATURE- -10° C TO +60° C  
 RESISTANCE TO SOLDER HEAT- 260° C FOR 10 SEC PER 109-202, COND. B  
 SOLDERABILITY- PER EIA-364-56A, PROCEDURE 3, COND. B

- NOTES:
1. ALL MATERIALS AND FINISHES SHALL COMPLY WITH EU DIRECTIVE 2002/95/EC OF 27JAN2003 (ROHS)
  2. ALL PERFORMANCE SPECIFICATIONS WERE TESTED IN ACCORDANCE WITH JIS-C-5441 UNLESS OTHERWISE STATED.



1-2 5-6	2-3 6-7	3-4 7-8	-	-		3	18.49 [.728]	8.99 [.354]	19.51 [.768]	DP3T	STSA230RA104	1825167-2
-	-	-	1-2 4-5	2-3 5-6		2	16.00 [.630]	6.50 [.256]	16.99 [.669]	DPDT	STSA220RA104	1825167-1
					BOTTOM VIEW	X PLC	DIM C	DIM B	DIM A	FUNCTION	T&B P/N	TYCO P/N

THIS DRAWING IS A CONTROLLED DOCUMENT.

DIMENSIONS: mm [INCHES]	TOLERANCES UNLESS OTHERWISE SPECIFIED: 0 PLC ± - 1 PLC ± - 2 PLC ± - 3 PLC ± 0.25[.010] 4 PLC ± - ANGLES ± - FINISH	DWN B.S.VISWESWARA CHK M.S.SARVER APVD - PRODUCT SPEC - APPLICATION SPEC - WEIGHT - CUSTOMER DRAWING	18MAR05 Tyco Electronics Corporation Harrisburg, Pa 17105-3608 SLIDE SWITCH, STSA220RA104 & STSA230RA1 SERIES SIZE A2 CAGE CODE 00779 DRAWING NO C=1825167 RESTRICTED TO - SCALE 4:1 SHEET 1 OF 1 REV A1
----------------------------	--	--	--

1825167

A