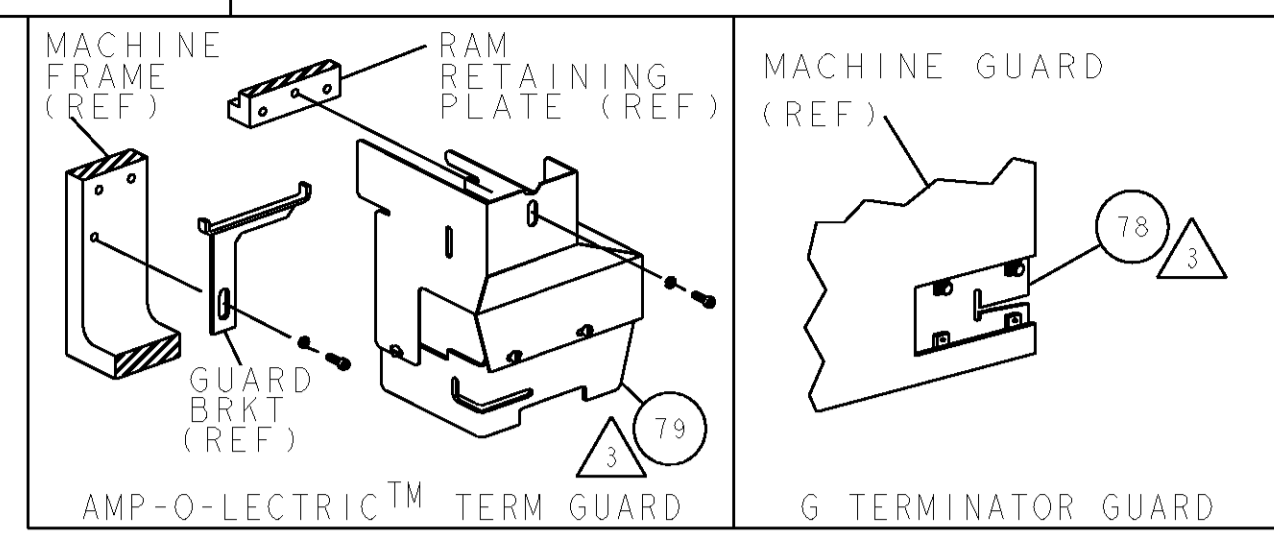
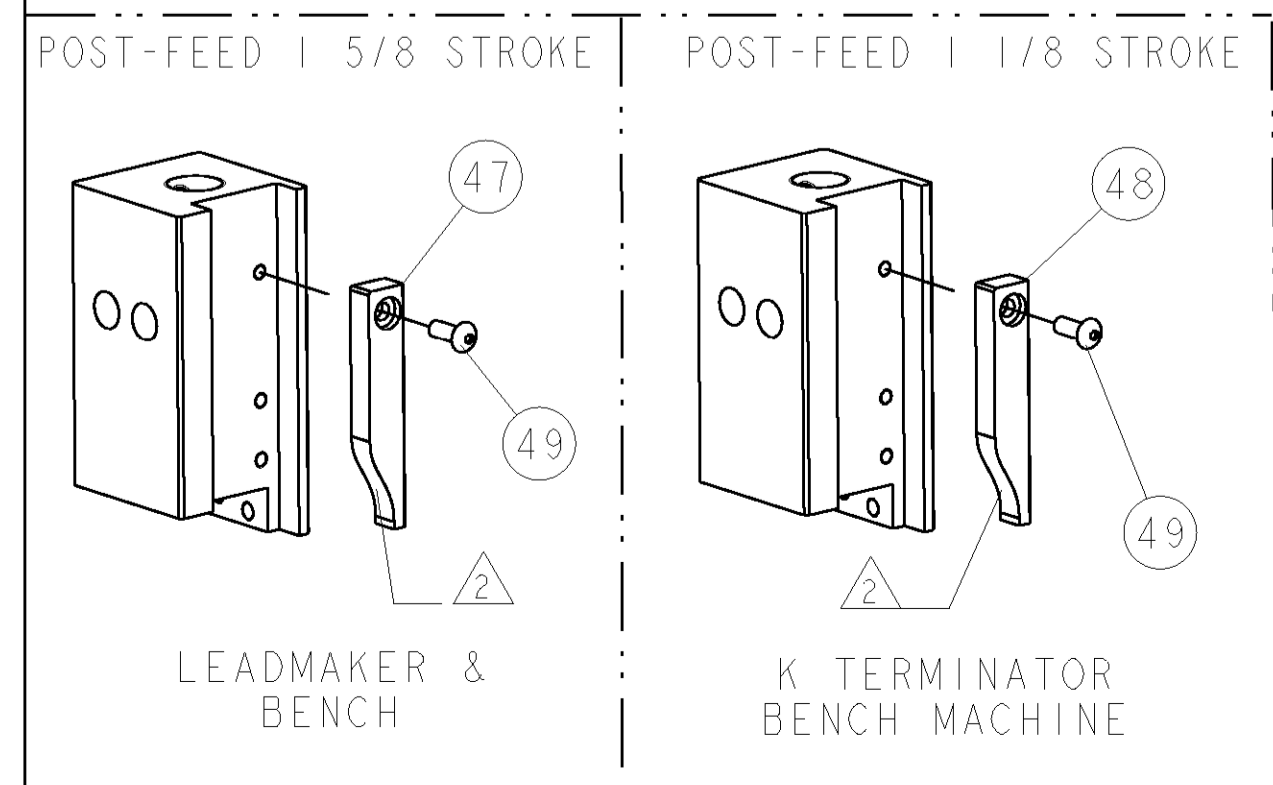
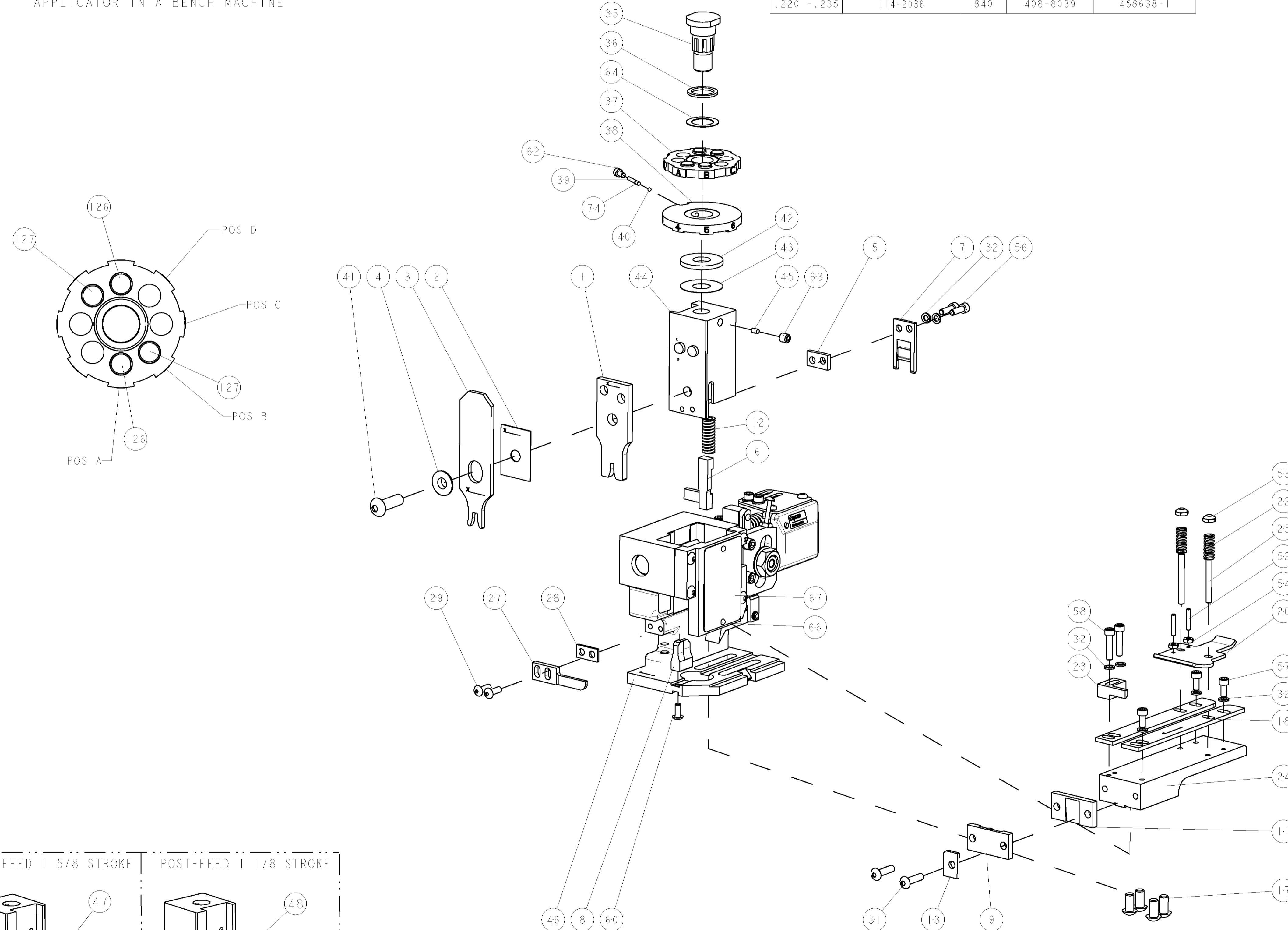


PART NUMBER	REV	FIRST USED	POWER UNIT	FEED TYPE
1852341-1	A	122500-1	LEADMAKER & BENCH MODEL G	POST FEED
1852341-2	A	565435-5	BENCH MODEL K	POST FEED
7-1852341-7	A	-	SPARE PARTS	-



TERMINAL NAME: .250 FASTON	
170046	AMP TERMINAL - AMP CRIMP SPECS
-	CRIMP HEIGHT
-	WIRE SIZE
A	.077±.002 [1.96±0.05mm] 14AWG
B	.067±.002 [1.70±0.05mm] 16AWG
C	-
D	-
-	CRIMP SIZE TYPE RANGE
-	WIRE .110 [2.79mm] F 14-16 AWG
-	INSUL .185 [4.70mm] F .100-.170Ø
WIRE STRIP LENGTH .220 -.235	TERM APPL SPEC 114-2036
FEED .840	APPL INSTRUCTIONS 408-8039
SET UP GAGE 458638-1	

- △ RECOMMENDED SPARE PARTS
- △ GREASE LIGHTLY
- △ GUARD MUST BE IN PLACE WHEN OPERATING APPLICATOR IN A BENCH MACHINE



QTY	REV	DESCRIPTION	DATE	BY	APPV
2	2	354779-6	PIN, WIRE DISC, .3020		127
2	2	8-354778-3	PIN, WIRE DISC, .2910		126
REF		455745-1	GUARD WINDOW		79
REF		679532-1	INSERT, GUARD		78
1	1	690603-1	SPRING ASSIST AMP-O-MATOR APPLICATOR		74
1	1	217238-1	GENERAL INSTRUCTION PKG		72
1	1	4088039	EF APPL INST 408-8039		71
1	1	461264-1	PLATE, IDENTIFICATION		67
2	2	21017-2	SCREW, DRIVE		66
1	1	986950-1	WASHER, FLAT PRECISION		64
1	1	21009-2	SCR, SET, SELF LOCKING 1/4-20 X .250		63
1	1	23030-1	SCR, SKT HD CAP 6-32 X .25		62
1	1	22733-8	SCR, BHSC, SELF-LOCKING, 8-32 X .375		60
2	2	2-21000-9	SCR, SKT HD CAP 8-32 X .750		58
3	3	2-21000-6	SCR, SKT HD CAP 8-32 X .375		57
2	2	2-21000-7	SCR, SKT HD CAP 8-32 X .500		56
2	2	21018-4	NUT, HEX, REG 4-40		54
2	2	21022-2	NUT, LOCK, HEX, TORQUE, 8-32		53
2	2	2-21006-6	SCR, SET, CUP POINT 4-40 X .625		52
1	1	1-21002-7	SCR, BTN SKT CAP 6-32 X .375		49
1	-	690501-3	CAM, POST FEED, 1 1/8		48
-	-	690501-4	CAM, POST FEED, 1 5/8		47
1	1	458980-1	SUB ASSY, APPLICATOR FRAME		46
1	1	690191-1	PLUG, NYLON		45
1	1	455674-1	RAM		44
1	1	690125-1	SHIM SUB-ASSY		43
1	1	690124-1	WASHER, RAM (.115)		42
1	1	7-21002-9	SCR, BTN SKT HD CAP 5/16-24 X 1.00		41
1	1	23241-6	BALL, STEEL		40
1	1	690170-1	SPRING, COMPRESSION		39
1	1	690142-1	DISC, INSULATION		38
1	1	354777-1	WIRE DISC, ASSEMBLY		37
1	1	22480-5	SPRING, COMPRESSION		36
1	1	690212-1	POST, RAM		35
7	7	21024-4	WASHER, SPRG LOCK, REG NO 8		32
2	2	2-21002-9	SCR, BTN SKT HD CAP 10-32 X .750		31
2	2	2-21002-2	SCR, BTN SKT HD CAP 8-32 X .500		29
1	1	3-690451-2	SPACER, STRIPPER		28
1	1	240639-1	STRIPPER (MACHINING)		27
2	2	22354-8	STUD, THREADED		25
1	1	455678-1	PLATE, STRIP GUIDE		24
1	1	240825-2	PLATE, STRIP HOLD DOWN		23
2	2	4-22281-1	SPRING, DRAG		22
1	1	454177-1	DRAG		20
2	2	2-454204-0	GUIDE, LOWER STRIP		18
4	4	3-21002-3	SCR, BTN SKT HD CAP 1/4-20 X .500		17
1	1	690481-3	SPACER, HOLD DOWN		13
1	1	23846-1	SPRING, DIE		12
1	1	240644-1	PLATE, REAR SHEAR		11
1	1	690495-4	PLATE, FRONT SHEAR		9
1	1	1-1633249-0	ANVIL, COMBINATION		8
1	1	690474-3	BLADE, SLUG		7
1	1	2-455892-1	HOLD DOWN, TERMINAL		6
1	1	240641-5	SPACER		5
1	1	238009-1	BLOCK, FL CRIMPER SPACER		4
1	1	2-1633471-4	CRIMPER, INSULATION F		3
1	1	455888-6	SPACER, CRIMPER		2
1	1	456408-4	CRIMPER, WIRE PREMIUM		1

DIMENSIONS: INCHES		TOLERANCES UNLESS OTHERWISE SPECIFIED:		DRAWN: C. REICHEL		DATE: 26 SEPT 2006		Tyco Electronics Harrisburg, PA 17105-3608	
APPROVED: T. ELBIN		DATE: 26 SEPT 2006		NAME: T. BENCHOFF		PRODUCT SPEC: -		APPLICATION SPEC: -	
MATERIAL: -		FINISH: -		WEIGHT: -		SIZE: A1		CAGE CODE: 00779	
CUSTOMER DRAWING		SCALE: 3:5		SHEET: 1		OF: 1		REV: A	

CUSTOMER VIEWABLE ASSEMBLY