

NOTES:

1- MATERIAL:

HOUSING: LCP GLASS FILLED UL 94V0 COLOUR: BLACK

TERMINAL: COPPER ALLOY PLATED WITH:
 PLATING 2: 0.00127 MIN GOLD IN CONTACT AREA,
 0.00190 MIN PURE TIN IN TAIL AREA,
 BOTH OVER 0.00127 MIN NICKEL OVERALL.

PLATING 7: POST PLATE 0.00005 MIN GOLD FLASH OVER
 0.00060 MIN PALLADIUM-NICKEL IN CONTACT AREA.
 0.00190 MIN PURE TIN IN TAIL AREA.
 BOTH OVER 0.00127 MIN NICKEL OVERALL

SOLDER TABS: BRASS PLATED WITH 0.0020 MIN TIN.

2- JACK FOR MATING WITH F.C.C.68 PLUGS.
 (MOLEX 90075 SERIES).

3- PRODUCT SPECIFICATION: MOLEX PS-85502-001

4- POLYIMIDE ADHESIVE TAPE FOR PICK & PLACE SURFACE.
 THICKNESS: 125 μm

5- PACKAGING SPECIFICATION: MOLEX PK-85502.
 (BLISTER PACKAGING).

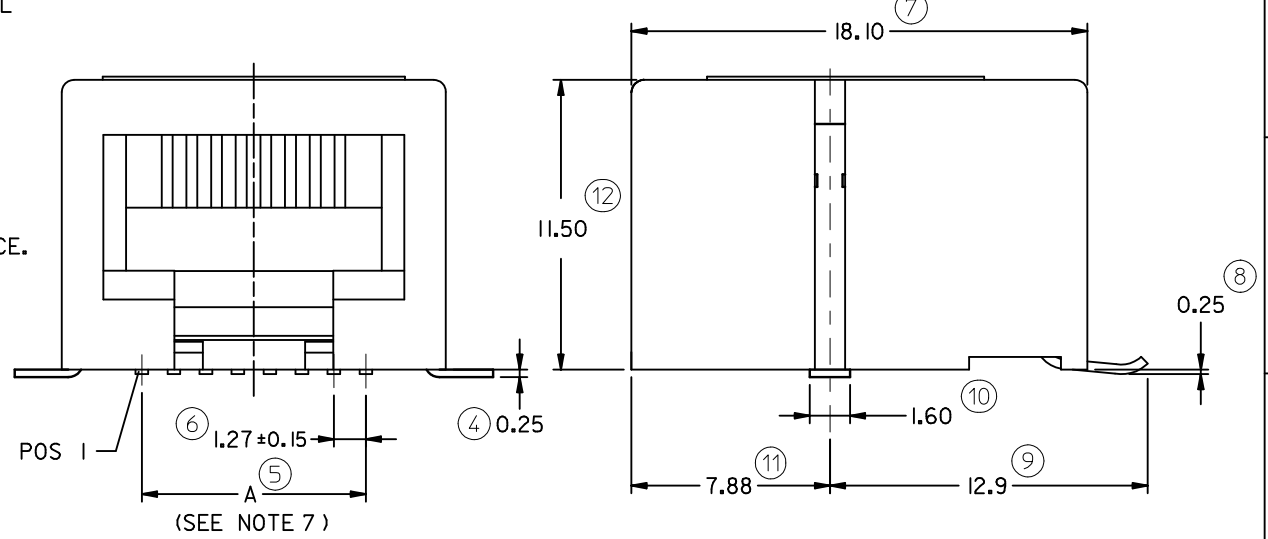
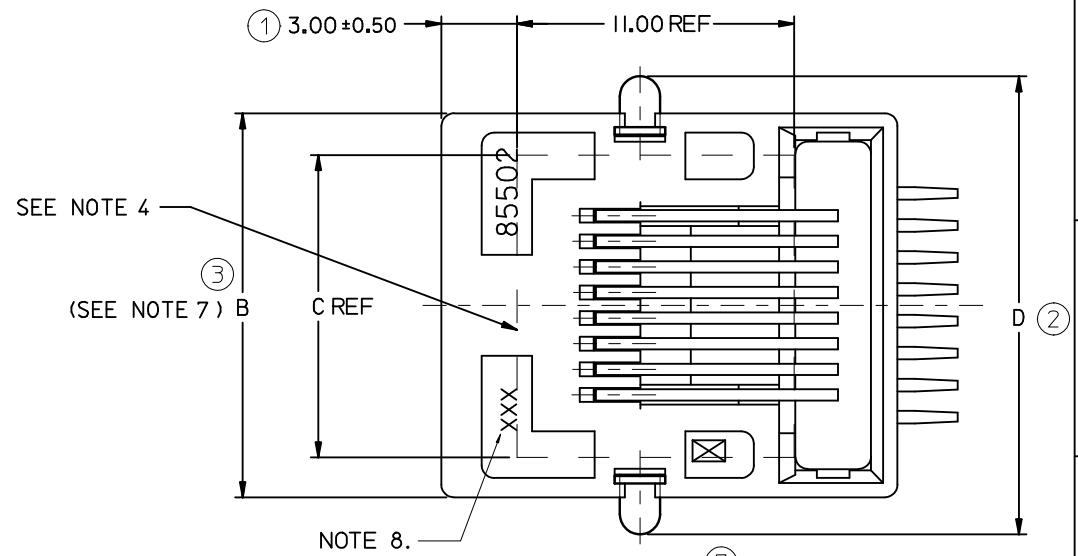
6- COPLANARITY OF SIGNAL LEADS: 0.10

7- SEE DIMENSIONS IN CHART ON SHEET 2.

8- MANUFACTURING I.D. CAN BE EITHER MG, MXF OR MXI.

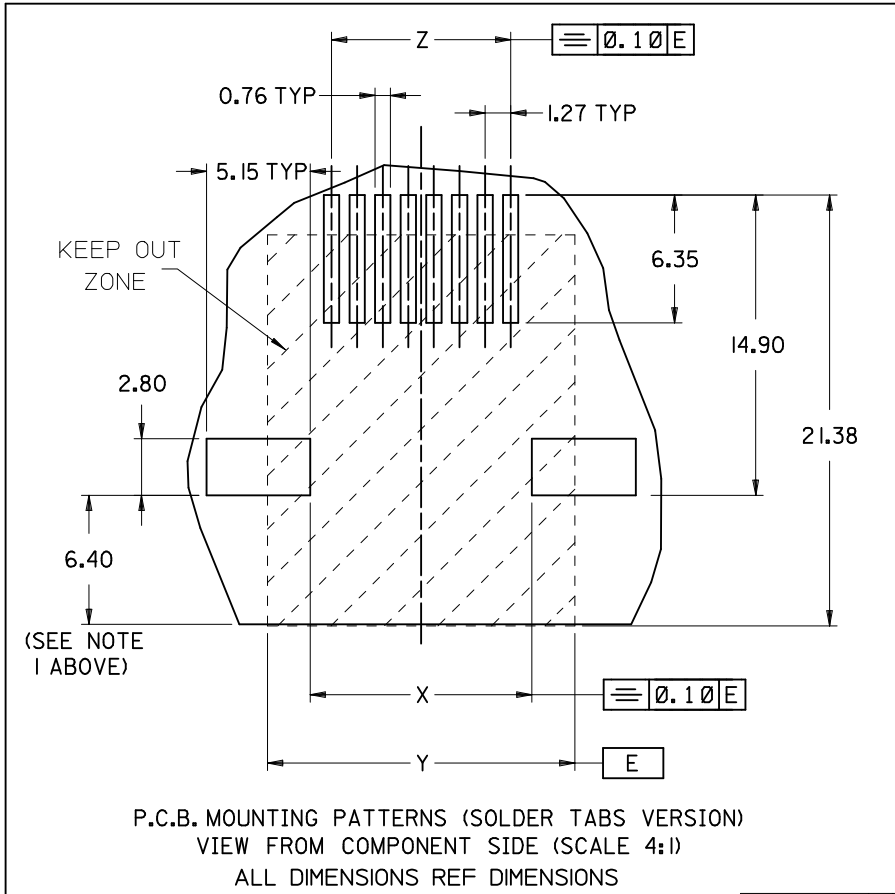
9- APPLICATION SPECIFICATION: AS-85513-001

LAST INSPECTION NUMBER: 12



ADDED PLATING NOTE EC NO: E2012-0079 DRWN: JOCANNOR 2011/03/24 CHKD: APPR: EFOLAN 2011/09/28	DESCRIPTION REV	QUALITY SYMBOLS	GENERAL TOLERANCES (UNLESS SPECIFIED)	DIMENSION STYLE	SCALE	DESIGN UNITS	THIRD ANGLE PROJECTION	
		▽=0 ◻=0	mm INCH 4 PLACES ± --- ± --- 3 PLACES ± --- ± --- 2 PLACES ± 0.25 ± --- 1 PLACE ± 0.35 ± --- ANGULAR ± 2 °	MM ONLY	5:1	METRIC	☉ ◻ THIRD ANGLE PROJECTION	
			DRAFT WHERE APPLICABLE MUST REMAIN WITHIN DIMENSIONS	DRAWN BY: DB DATE: 2006/06/12 CHECKED BY: EOMAHONY DATE: 2006/06/15 APPROVED BY: EOMAHONY DATE: 2006/06/15	TITLE	R/A LOW PROFILE TRUE SMT 4,6 & 8 CONTACTS PC JACK WITH SIDE SOLDER TABS		
				MATERIAL NO. SEE CHART SHT 2	MOLEX INCORPORATED DOCUMENT NO. SD-85502-101	SHEET NO. 1 OF 2		

NOTES
 1: RECOMMENDED DISTANCE FROM THE PCB'S EDGE
 2: PLATING SEE SHEET ONE



PART NUMBERS FOR TRUE SMT JACK WITH SOLDER TABS									
HOUSING COLOR	POS 4		POS 6		POS 6		POS 8		TOOLED PLATING
	TOOLED	PLATING	TOOLED	PLATING	TOOLED	PLATING	TOOLED	PLATING	
STANDARD VERSION	BLACK	85502-5005	2	85502-5006	2	85502-5007	2	85502-5008	2
		85502-7005	7	85502-7006	7	85502-7007	7	85502-7008	7

TYPE	DIM			
	POS 4	POS 6	POS 6	POS 8
	4 CKTS	4 CKTS	6 CKTS	8 CKTS
A ±0.15	3.81	3.81	6.35	8.89
B	11.18	13.21	13.21	15.24
C (REF)	8.50	8.50	8.50	12.00
D ±0.35	14.13	16.16	16.16	18.19
X ±0.10	6.94	8.97	8.97	11.00
Y (REF)	11.18	13.21	13.21	15.24
Z ±0.05	3.81	3.81	6.35	8.89

SEE SHEET 1 EC NO: E2012-0079 DRWN: JOCONNOR 2011/03/24 CHKD: APPR: EFOLAN 2011/09/28	QUALITY SYMBOLS	GENERAL TOLERANCES (UNLESS SPECIFIED)	DIMENSION STYLE	SCALE	DESIGN UNITS	THIRD ANGLE PROJECTION
	$\nabla=0$ $\square=0$	mm INCH 4 PLACES ± --- ± --- 3 PLACES ± --- ± --- 2 PLACES ± 0.25 ± --- 1 PLACE ± 0.35 ± --- ANGULAR ± 2 °	MM ONLY	5:1	METRIC	
		DRAWN BY: DB DATE: 2006/06/12 CHECKED BY: EOMAHONY DATE: 2006/06/15 APPROVED BY: EOMAHONY DATE: 2006/06/15 MATERIAL NO.	TITLE	R/A LOW PROFILE TRUE SMT 4,6 & 8 CONTACTS PC JACK WITH SIDE SOLDER TABS		
		DRAFT WHERE APPLICABLE MUST REMAIN WITHIN DIMENSIONS	SEE CHART	MOLEX INCORPORATED DOCUMENT NO. SD-85502-101	SHEET NO. 2 OF 2	