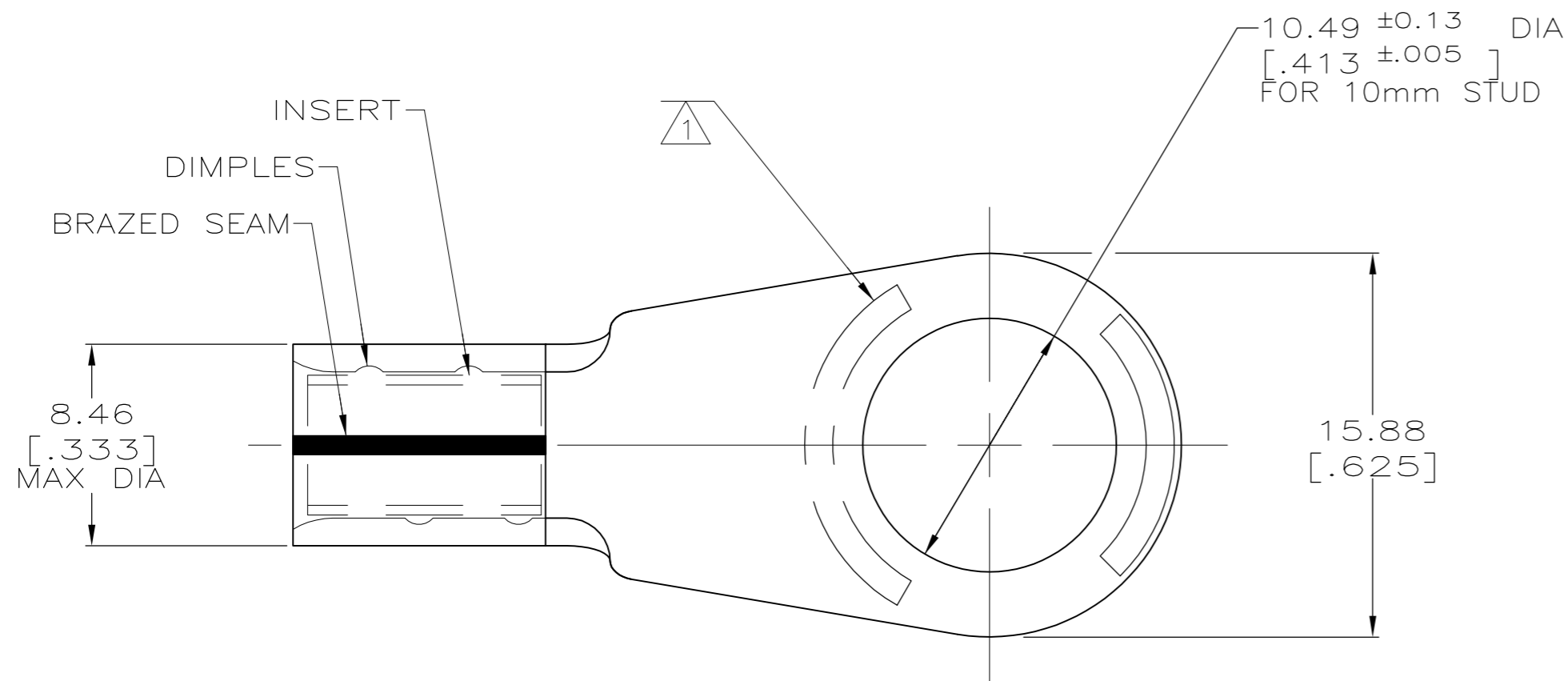
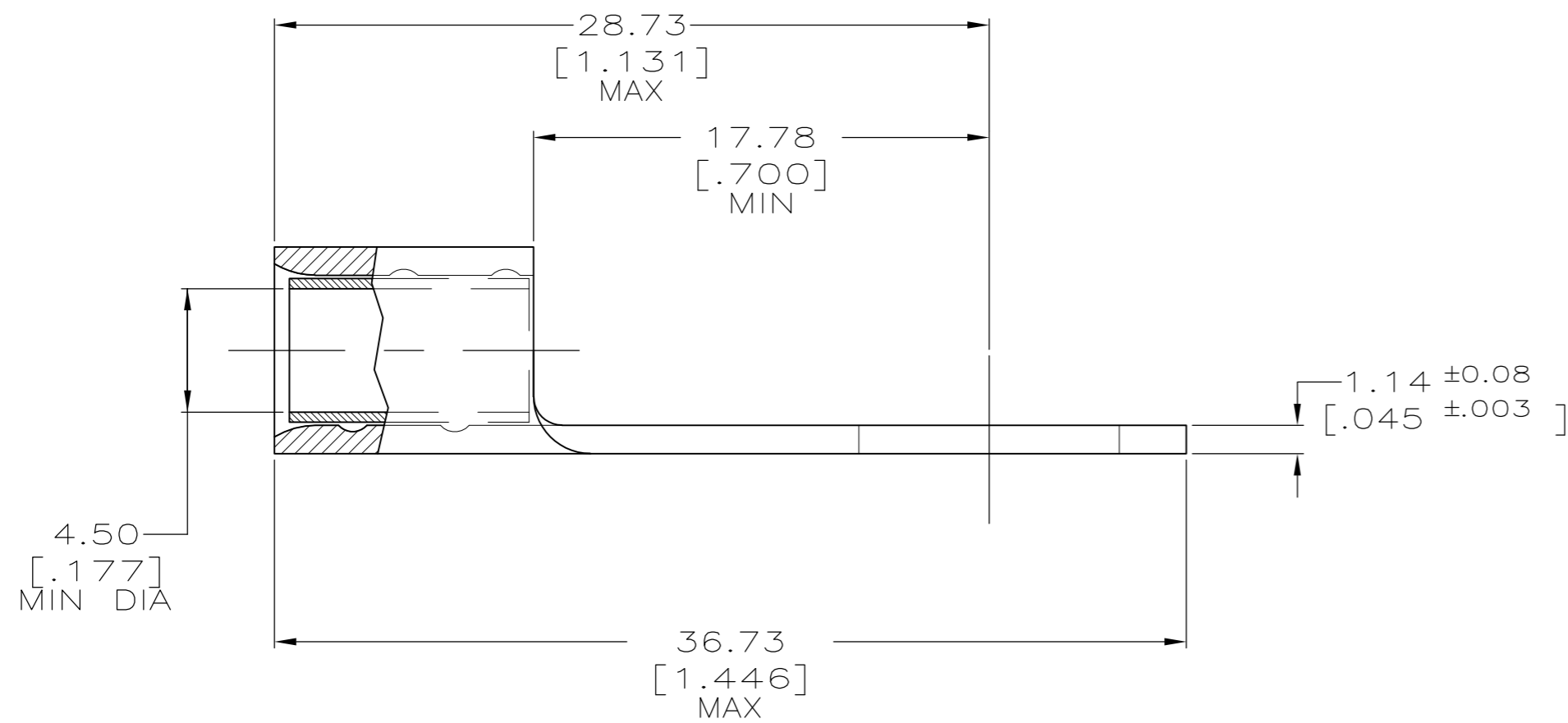


THIS DRAWING IS UNPUBLISHED. RELEASED FOR PUBLICATION
 © COPYRIGHT - By - ALL RIGHTS RESERVED.

LOC		DIST		REVISIONS			
P	LTR	DESCRIPTION	DATE	DWN	APVD		
	A	REV PER ECO 13-016525	12-10-13	CT	JW		



1 STAMP AMP 8 AL90CU APPROX AS SHOWN



AMP INCORPORATED
 CUSTOMER SERVICE SYSTEMS

MAX RECOMMENDED OPERATING TEMPERATURE:
 150° C MAX

FOR ADDITIONAL PRODUCT INFORMATION OR COPIES OF DRAWINGS AND TECHNICAL DOCUMENTS

PRODUCT INFORMATION CENTER
 1-800-522-6752

VOLTAGE RATING:
 NOT APPLICABLE

FOR APPLICATION TOOLING INFORMATION

TOOLING ASSISTANCE CENTER
 1-800-722-1111

WIRE CROSS SECTIONAL AREA RANGE:
 6.64-10.5mm² [13,100-20,800] CIR MILS
 SOLID OR STRANDED

FOR ORDER ENTRY

1-800-526-5142

THIS DRAWING IS A CONTROLLED DOCUMENT FOR AMP INCORPORATED. IT IS SUBJECT TO CHANGE AND THE CONTROLLING ENGINEERING ORGANIZATION SHOULD BE CONTACTED FOR THE LATEST REVISION.

BODY: COPPER PER ASTM B-152
 TIN PLATE 0.00254[.000100] MIN THK PER MIL-T-10727
 INSERT: COPPER PER ASTM B-152
 TIN PLATE 0.00254[.000100] MIN THK PER MIL-T-10727

184076-1

MATERIAL & FINISH

PART NO

THIS DRAWING IS A CONTROLLED DOCUMENT.		DWN DK SCHRUM 18JUL94	TE Connectivity	
		CHK AJ KAUFMAN 20JUL94		
DIMENSIONS: INCHES		APVD -		NAME
TOLERANCES UNLESS OTHERWISE SPECIFIED:		PRODUCT SPEC -		TERMINAL, RING TONGUE, COPALUM TM
0 PLC ± - 1 PLC ± - 2 PLC ± - 3 PLC ± - 4 PLC ± - ANGLES ± -		APPLICATION SPEC -		SIZE CAGE CODE DRAWING NO RESTRICTED TO
MATERIAL SEE TABLE		FINISH SEE TABLE		A2 00779 C=184076
		WEIGHT -		SCALE 4:1 SHEET 1 of 1 REV A
		CUSTOMER DRAWING		