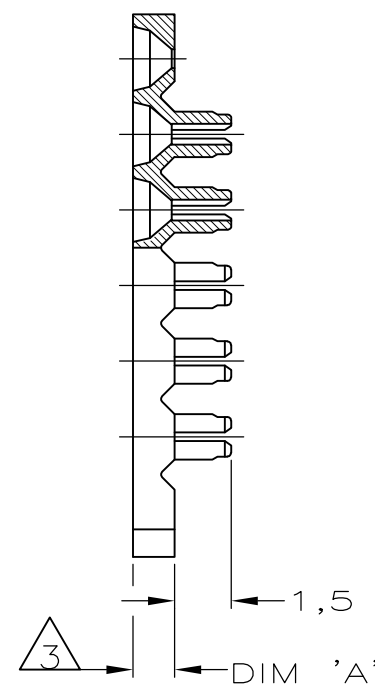
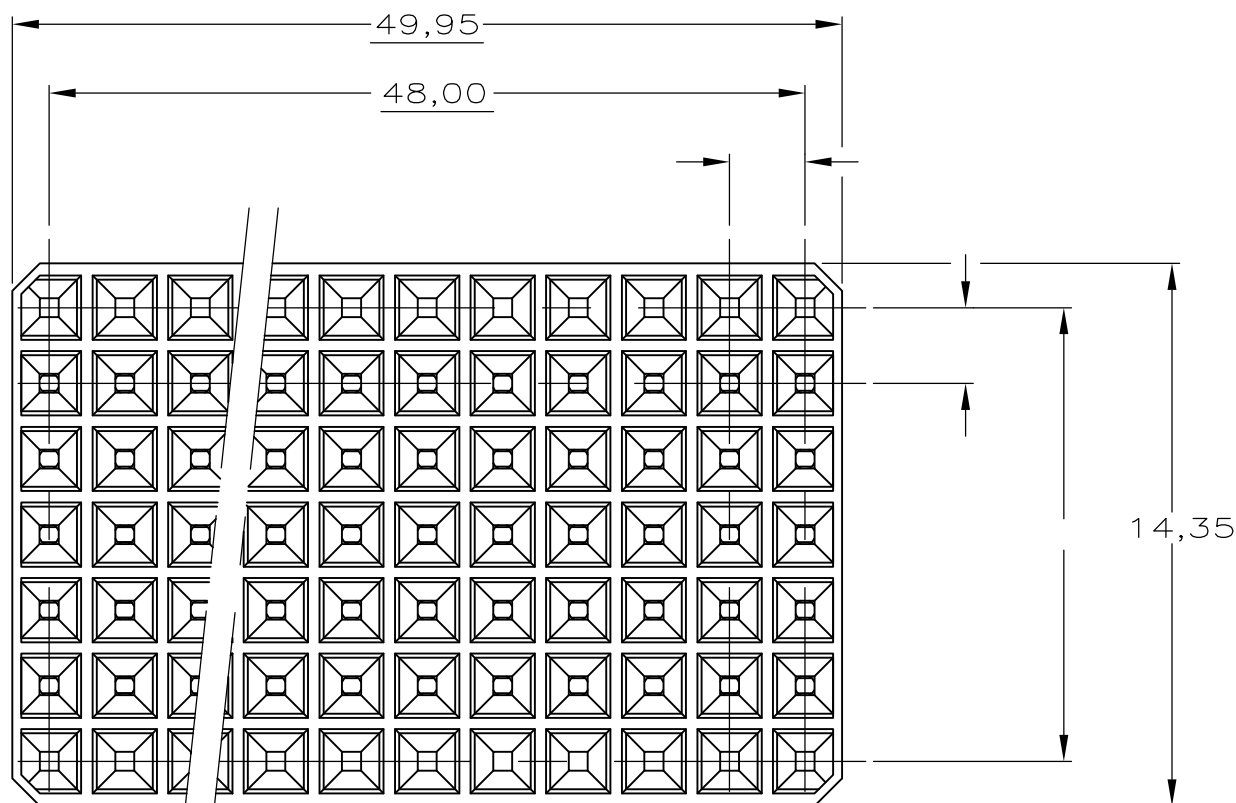


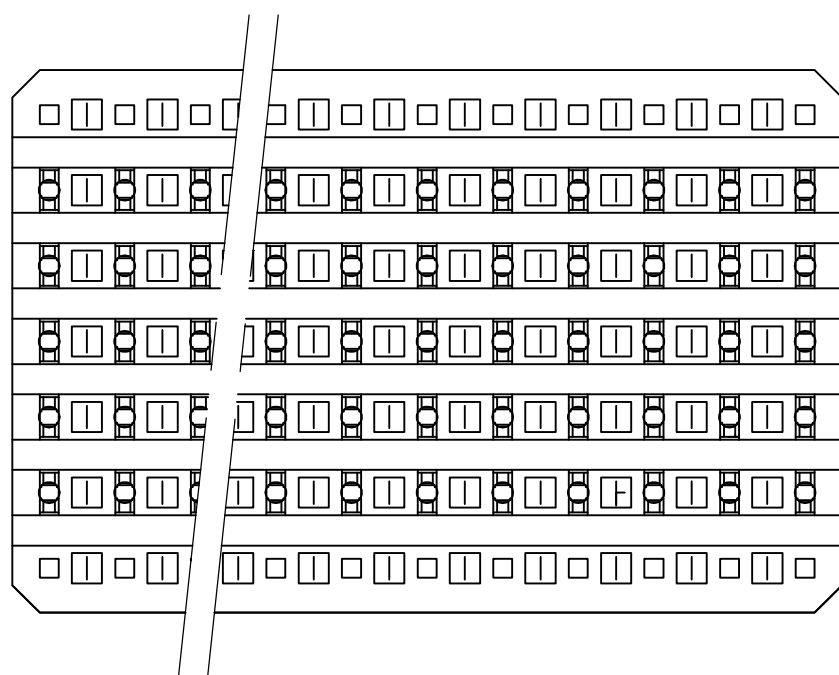
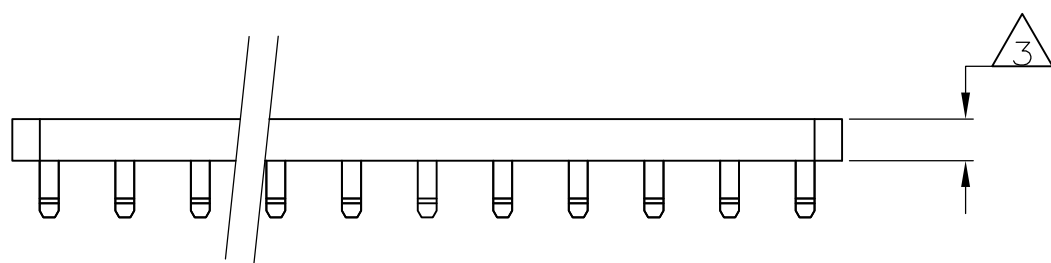
THIS DRAWING IS UNPUBLISHED. RELEASED FOR PUBLICATION
 © COPYRIGHT BY TYCO ELECTRONICS CORPORATION. ALL INTERNATIONAL RIGHTS RESERVED.

LOC		DIST		REVISIONS			
P	LTR	DESCRIPTION		DATE	DWN	APVD	
	E	REVISED PER ECO-11-001163		17JAN11	RC	CW	



NOTES:

1. MATERIAL: UNFILLED POLYESTER.(GREY)
2. 0-106458-3 AS SHOWN.
3. VARIABLE HEIGHT.
4. TO DETERMINE THE RECOMMENDED SPACER-THICKNESS FOR A GIVEN PCB THICKNESS: SEE APPLICATION SPECIFICATION 114-19031.



	PARTNUMBER	4 DIM "A"
OBSOLETE	0-106458-1	0,7
	0-106458-2	0,9
OBSOLETE	0-106458-3	1,1
	0-106458-4	1,3
	0-106458-5	1,5
	0-106458-6	1,7
	0-106458-7	1,9

THIS DRAWING IS A CONTROLLED DOCUMENT.		DWN L.V.D.HEIJDEN 29 JUNE '93	Tyco Electronics Corporation Harrisburg, PA 17105-3608	
DIMENSIONS: mm		CHK F.V.KONINGSBRUGGE 24 JUN 1997	NAME Z-PACK 2mm HM SPACER, TYPE B 25 COLUMNS	
TOLERANCES UNLESS OTHERWISE SPECIFIED:		APVD F.V.KONINGSBRUGGE 24 JUN 1997	PRODUCT SPEC 108-19082	
0 PLC ± -		APPLICATION SPEC 114-19029		SIZE A3
1 PLC ± -		WEIGHT -		CAGE CODE 00779
2 PLC ± - ±0.2		CUSTOMER DRAWING		DRAWING NO C-106458
3 PLC ± -		SCALE -		RESTRICTED TO -
4 PLC ± -		SHEET 1 OF 1		REV E
ANGLES ± -				
FINISH -				