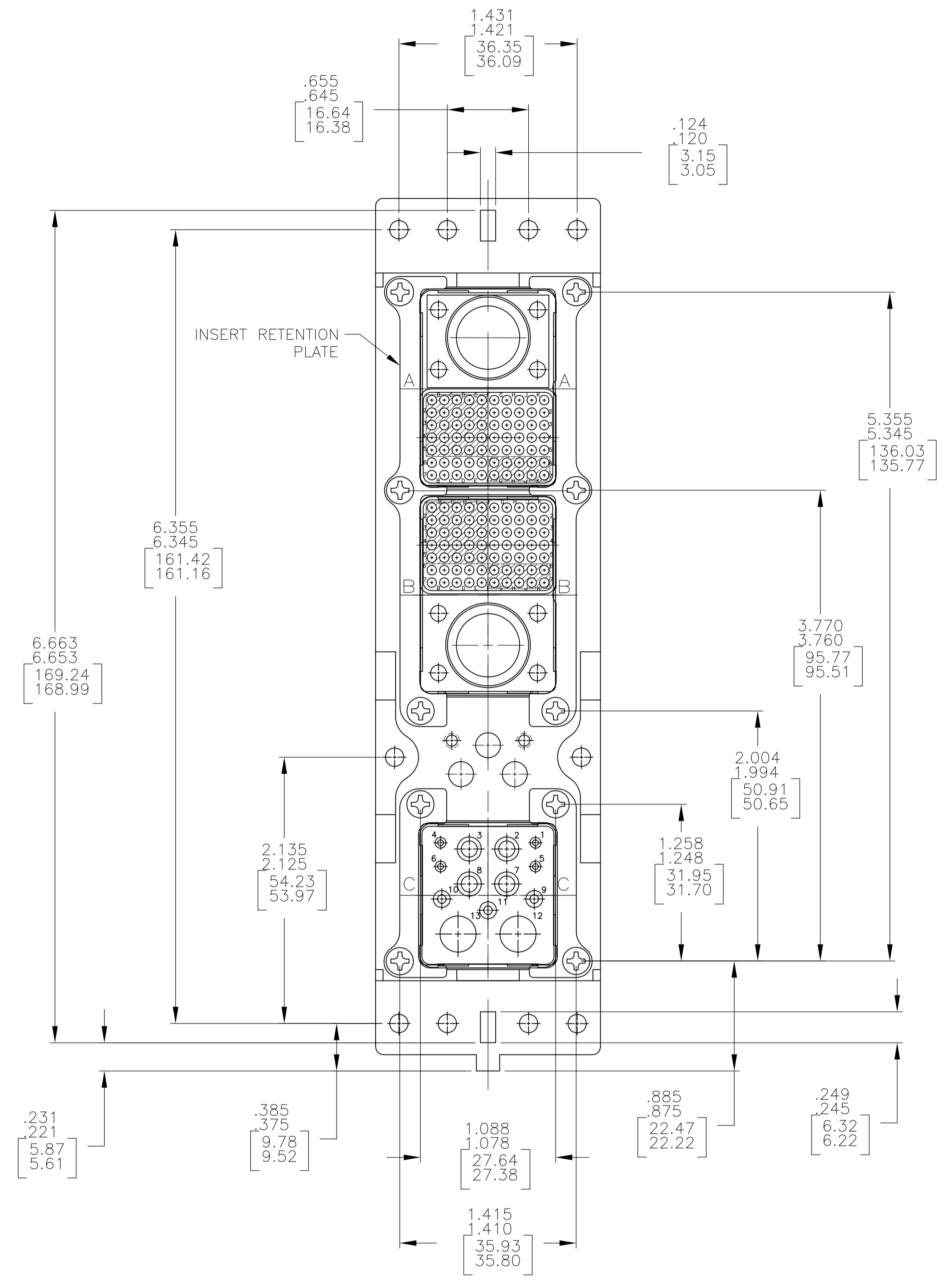
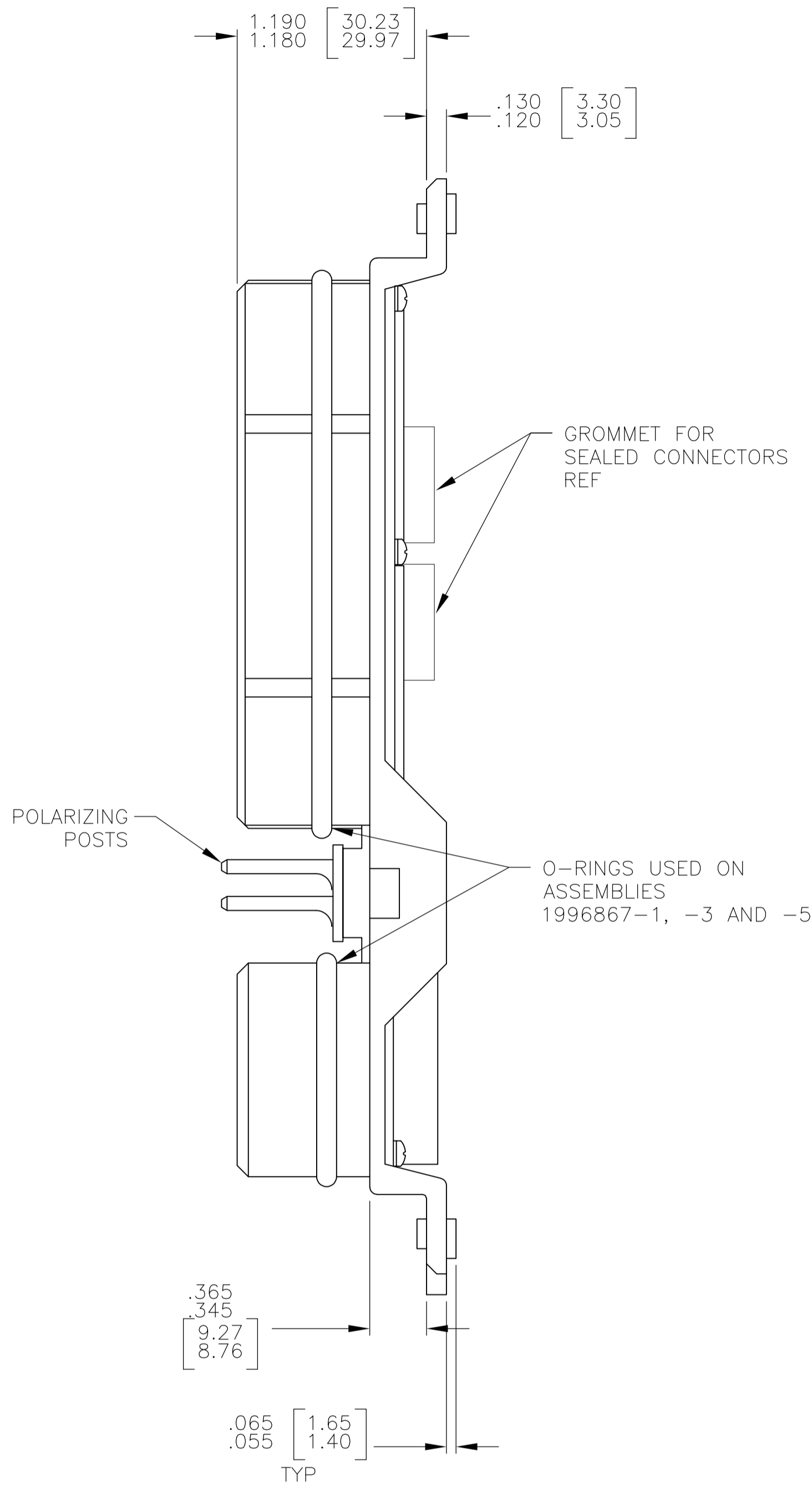
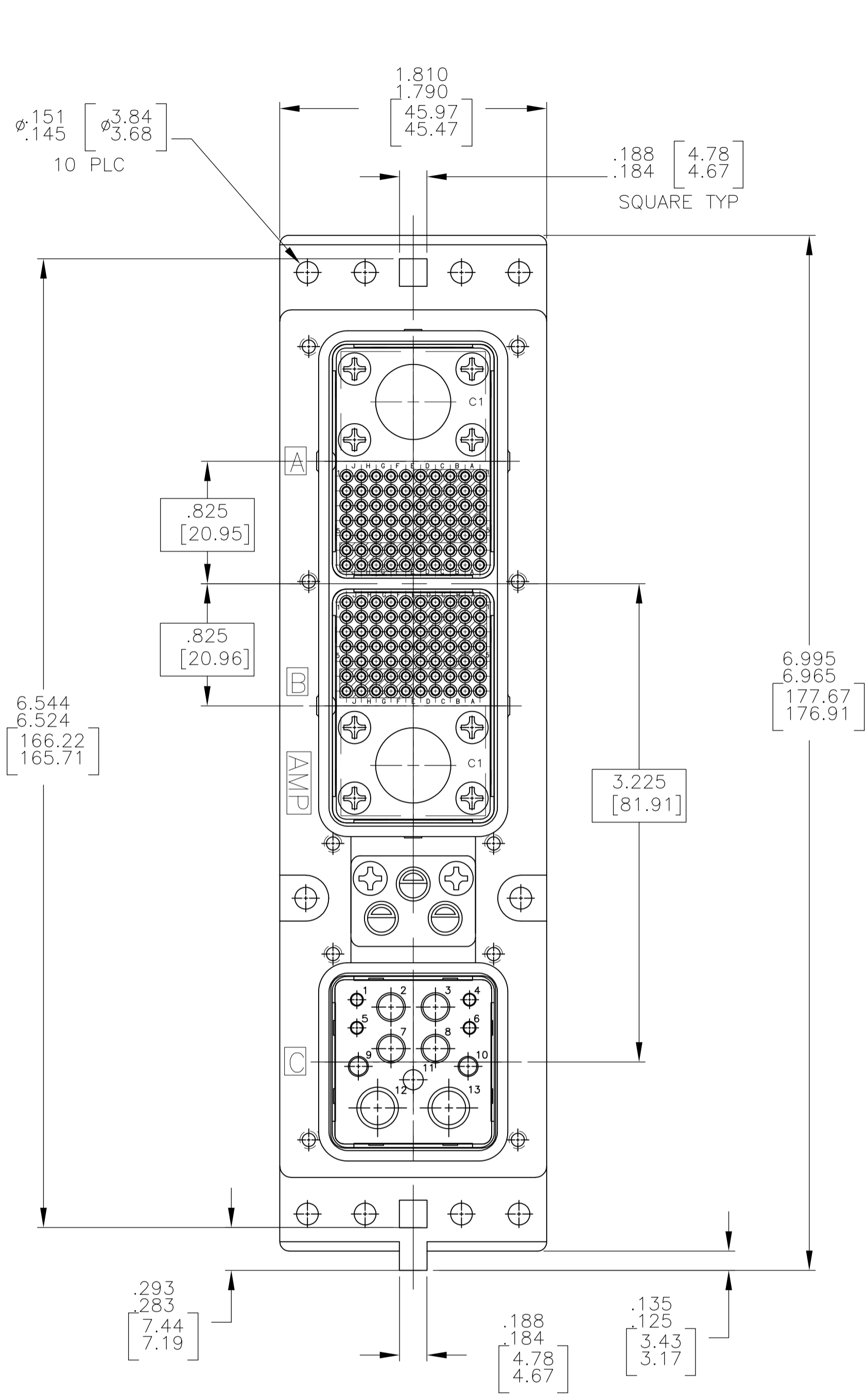


REVISONS		DATE	DWN	APVD
LOC	DIST	DESCRIPTION		
D	REV PER ECO-12-020417		KG	WB



- CONNECTOR DIMENSIONS ARE PER ARINC 600 SPECIFICATION
- DUST COVER IS INCLUDED AND INSTALLED FOR SHIPPING. (NOT SHOWN)
- KEYING SHOWN IN POSITION "01" FOR REFERENCE ONLY. SEE TABLE FOR KEYING POSITION. FOR POSITION "00" KEYING SHIPPED UNASSEMBLED.

COMPONENT	MATERIAL	FINISH	NIC NUMBER	DESCRIPTION	KEYING POSITION	PART NUMBER
SHELL	DIE CAST ALUMINUM PER ASTM-B-85	CHEMICAL COVERSION COATING PER MIL-C-5541, CLASS 1A	NIC66H20B00AA1	SEALED	00	1996867-5
			NIC66H20A08AA1	UNSEALED	08	1996867-4
			NIC66H20B08AA1	SEALED	08	1996867-3
			NIC66H20A18AA1	UNSEALED	18	1996867-2
			NIC66H20B18AA1	SEALED	18	1996867-1
RETENTION PLATES	ALUMINUM ALLOY PER ASTM-B-209	CHEMICAL COVERSION COATING PER MIL-C-5541, CLASS 1A				
SCREWS AND LOCKWASHERS	STEEL OR STAINLESS STEEL	CHROMATE OVER ZINC OR PASSIVATED				
POLARIZING POSTS	ZINC ALLOY PER ASTM-B-86	ELECTROLESS NICKEL PER MIL-C-26074 CLASS 4, GRADE B				
POLARIZING POST RETAINING PLATE	ALUMINUM ALLOY PER ASTM-B-209	BLUE ANODIZED PER MIL-A-8625				
ALL INSERTS	THERMOSET	-				

THIS DRAWING IS A CONTROLLED DOCUMENT. DIMENSIONING AND TOLERANCING PER ASME Y14.5M (ISO STANDARDS)		DWN C.C.THOMAS 7-17-08	TE Connectivity
DIMENSIONS: INCHES		CHK K.THACKSTON 7-17-08	
TOLERANCES UNLESS OTHERWISE SPECIFIED:		APVD K.THACKSTON 7-17-08	NAME
0 PLC ± .005	1 PLC ± .004	PRODUCT SPEC	PLUG ASSY, SIZE 2, ARINC 600, (71C1A/71C1/13C2)
2 PLC ± .003	3 PLC ± .002	APPLICATION SPEC	
4 PLC ± .001	ANGLES ± .001	WEIGHT	SIZE CAGE CODE DRAWING NO RESTRICTED TO
MATERIAL SEE TABLE	FINISH SEE TABLE	A1 00779 C=1996867	SCALE 3:2 SHEET 1 OF 1 REV D
CUSTOMER DRAWING			