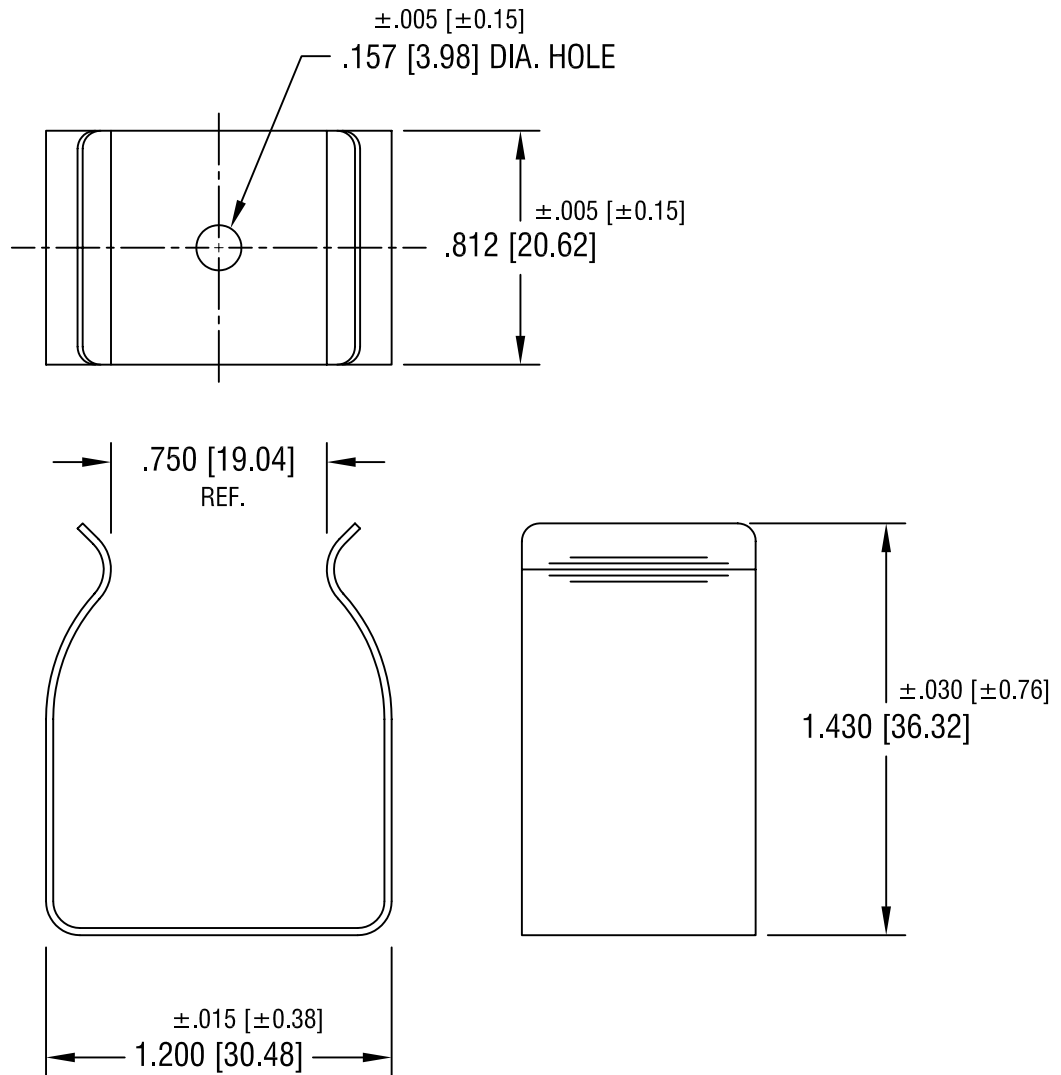


THIS DOCUMENT IS THE PROPERTY OF  
KEYSTONE ELECTRONICS CORP. AND  
SHALL NOT BE REPRODUCED, DISTRIBUTED  
OR USED AS A BASIS FOR MANUFACTURE  
WITHOUT PRIOR WRITTEN PERMISSION  
FROM KEYSTONE ELECTRONICS CORP.



**NOTE:**

- 1. HEAT TREAT TO SPRING TEMPER.

|                                       |               |                |            |
|---------------------------------------|---------------|----------------|------------|
| <b>KEYSTONE ELECTRONICS CORP.</b>     |               |                |            |
| ASTORIA, N.Y. 11105-2017              |               |                |            |
| PART NAME                             |               | COMPONENT CLIP |            |
| MATERIAL                              |               |                |            |
| .025 [.63] TH'K ANNEALED SPRING STEEL |               |                |            |
| FINISH                                |               | DRN BY         | DATE       |
| NICKEL PLATE                          |               | BOONE          | 2.3.73     |
|                                       |               | APPD           | SCALE      |
|                                       |               | LN             | 1.5X       |
| TOLERANCES                            | INCH          | [MM]           | CODE       |
| DECIMAL                               | $\pm .010$    | $[\pm 0.25]$   | C          |
| ANGULAR                               | $\pm 1^\circ$ |                |            |
| UNLESS OTHERWISE SPECIFIED            |               |                | DWG NO.    |
|                                       |               |                | <b>217</b> |

|         |                          |      |
|---------|--------------------------|------|
| 4.10.03 | CHANGE AS PER ECN 03-033 | C    |
| DATE    | DESCRIPTION              | REV. |