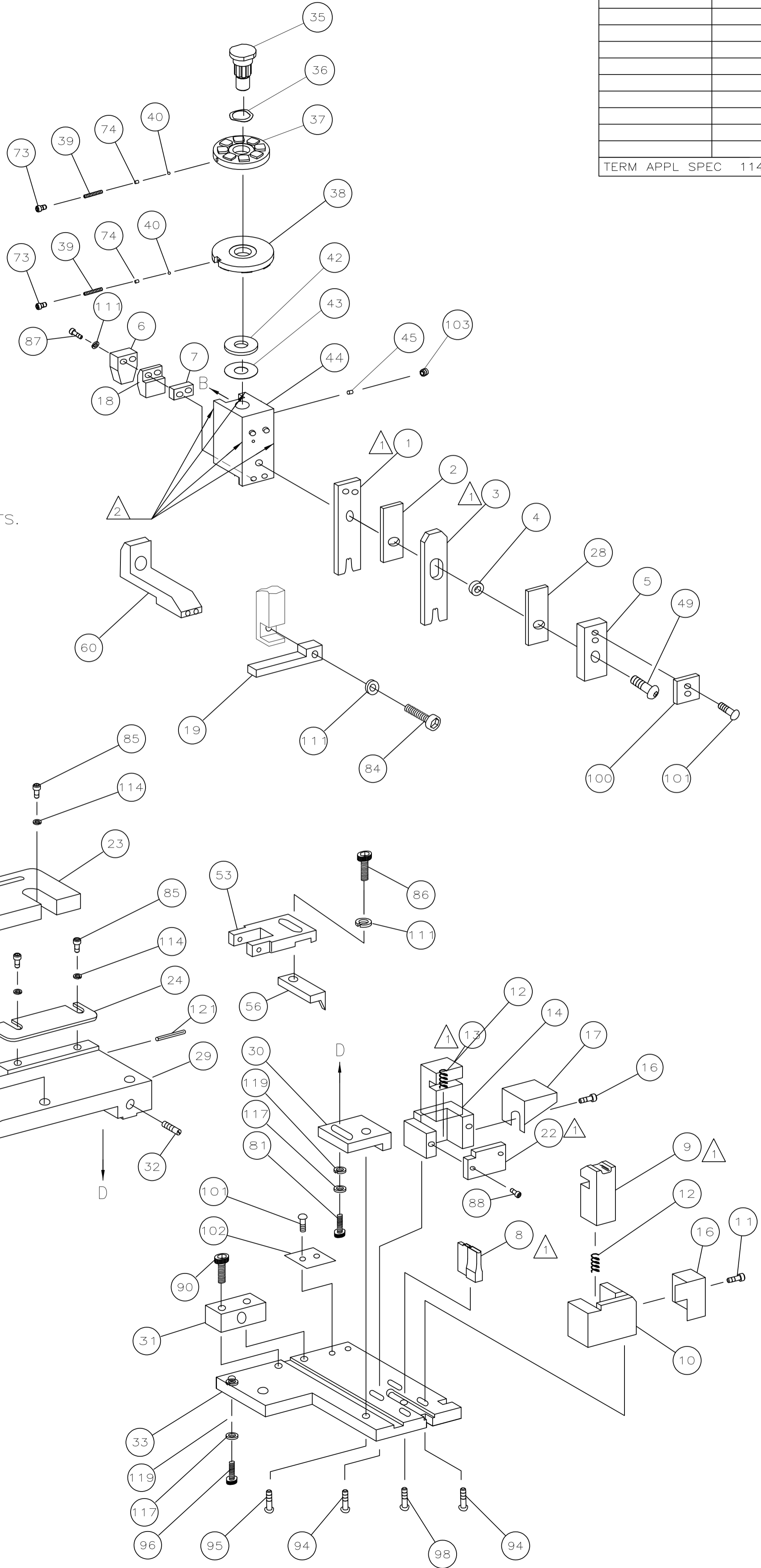
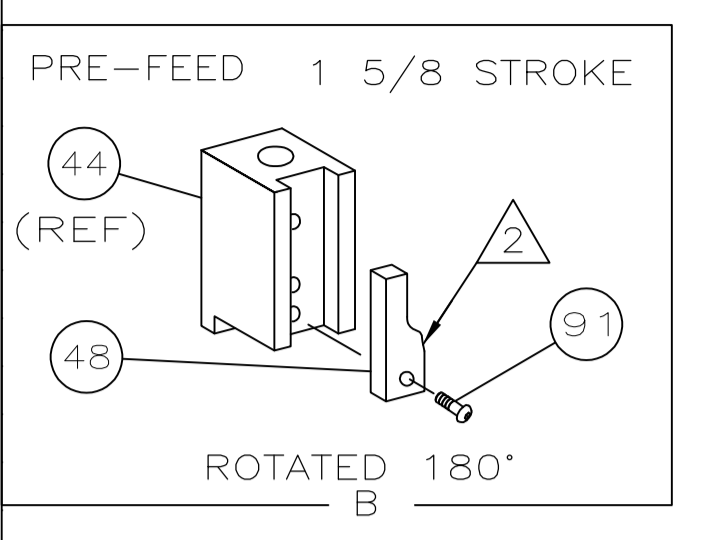


TERMINAL NAME: CRIMP SNAP-IN RECPT	
104479	
TERM APPL SPEC	114-25038

CRIMPING DATA			
PAD LTR	CRIMP HEIGHT	WIRE SIZE	
A	.027 ±.002	24	
B	NOT	USED	
C	.035 ±.002	20	
D	.031 ±.002	22	
CRIMP	SIZE	TYPE	RANGE
WIRE	.055	F	24-20
INSUL	.062	0	.025-.060
FEED	APPL INST	SET UP GAGE	LAYOUT
.250	AI-	-	L-1317
WIRE STRIP LENGTH		.125-.156	

LOC	DIST	REVISIONS				
A	66	F LTR	DESCRIPTION	DATE	DMN	APVD
		F	ECR-08-012366	5-2008	MY	GB



NOTES:
 1 RECOMMENDED SPARE PARTS.
 2 GREASE WEEKLY.

QTY	PART NO	DESCRIPTION	ITEM NO
1	4-21028-0	PIN,SLT SPR(.093φx.75)ST GUIDE PL	129
			128
			127
			126
			125
			124
			123
			122
1	21899-2	WASHER,FLAT(NO.10) S.G. ADJ. BLOCK	121
			120
2	21024-5	WASHER,LOCK(NO.10)ADJ BLOCK	119
			118
			117
			116
			115
4	21024-2	WASHER,LOCK(NO.4)FRONT STRIP GUIDE	114
			113
2	21024-4	WASHER,LOCK(NO.8)DEPRESSOR	112
REF	21024-4	WASHER,LOCK(NO.8)STRIPPER	111
			110
			109
			108
			107
			106
1	22353-8	SCR,SHLD(.187φx.25)DRAG LEVER	105
			104
1	21009-2	SCR,SKT SET(1/4-20x.25LOC-WEL)RAM	103
1	690701-2	PLATE, ID	102
4	21017-1	SCR, DRIVE (#2 x .125)	101
1	819347-1	PLATE, ID	100
2	5-21006-6	SCR,SET,10-32 X .75	99
1	22733-8	SCR,BHC(8-32x.38LOC-WEL)ANVIL	98
			97
1	3-21000-8	SCR,SKT CAP(10-32x.88)MOUNTING	96
1	2-21002-7	SCR,BHC(10-32x.50)SG ADJ BLOCK	95
4	2-21002-2	SCR,BHC(8-32x.50)	94
			93
			92
1	1-21002-7	SCR,BHC(6-32x.50)CAM	91
2	2-21000-7	SCR,SKT CAP(8-32x.50)SCR BLOCK	90
			89
2	1-21000-8	SCR,SKT CAP(6-32x.25)R SHEAR PLATE	88
2	2-21000-8	SCR,SKT CAP(8-32x.62)DEPRESSOR	87
1	2-22603-1	SCR,HEX(8-32x.38)FEED FINGER	86
4	1-21000-3	SCR,SKT CAP(4-40x.25)F STRIP GUIDE	85
REF	2-21002-1	SCR,BHC(8-32x.38)STRIPPER	84
			83
			82
1	3-22603-2	SCR,HEX HD(10-32x.50)SG ADJ BL	81
			80
			79
			78
1	463310-6	BLADE, STRIPPING (#22)	77
			76
			75
2	690603-1	SPRING, ASSIST	74
2	23030-1	SCR,SKT CAP(6-32x.25)CP DISC	73
			72
			71
-1	PART NO	DESCRIPTION	ITEM NO
QTY	PARTS LIST		

QTY	PART NO	DESCRIPTION	ITEM NO
			70
			69
			68
			67
			66
			65
			64
			63
			62
			61
REF	469484-2	STOP, WIRE	60
			59
			58
			57
1	679904-1	PAWL, FEED	56
			55
			54
			53
			52
			51
			50
1	7-21002-9	BOLT, CRIMPER(5/16-24x1.00)	49
1	690602-6	CAM, PRE FEED 1.62 STROKE	48
			47
			46
1	690191-1	PLUG, NYLON	45
1	455673-1	RAM	44
1	690125-1	WASHER, LAMINATED	43
1	690124-1	WASHER, RAM	42
			41
2	23241-6	BALL, STEEL	40
2	690170-1	SPRING, COMPRESSION	39
1	690142-1	DISC, INSULATION	38
1	5-690692-9	DISC, WIRE	37
1	22480-5	WASHER, SPRING	36
1	690212-1	POST, RAM	35
			34
1	462544-1	PLATE, BASE SPECIAL	33
1	690432-3	SCREW, ADJUSTMENT	32
1	462543-1	BLOCK, SCREW SPECIAL	31
1	455689-1	BLOCK, STRIP GUIDE ADJ	30
1	1-844048-0	PLATE, STRIP GUIDE	29
1	455888-8	SPACER, FRONT SHEAR DEP	28
2	1-22284-0	SPRING, DRAG	27
1	356835-1	LEVER, DRAG RELEASE	26
1	240792-1	DRAG, STOCK	25
1	690438-1	GUIDE, STRIP (REAR)	24
1	690487-1	GUIDE, STRIP (FRONT)	23
1	1-690691-0	PLATE, REAR SHEAR	22
1	463756-1	GUIDE, SCRAP	21
			20
REF	462615-1	STRIPPER	19
1	2-690518-4	HOLDER, TERMINAL	18
1	691668-1	GUARD, CHIP (REAR)	17
1	690461-1	STOP, SHEAR (REAR)	16
			15
1	681023-1	HOLDER, SHEAR (REAR)	14
1	690463-1	SHEAR, FLOAT (REAR)	13
2	3-22280-3	SPRING, SHEAR	12
1	690461-2	STOP, SHEAR (FRONT)	11
1	462548-1	HOLDER, SHEAR (FRONT)SPECIAL	10
1	462547-1	SHEAR, FLOAT (FRONT)SPECIAL	9
1	7-690512-7	ANVIL	8
1	240641-1	SPACER, DEPRESSOR (REAR)	7
1	690468-2	DEPRESSOR, SHEAR (REAR)	6
1	462838-1	DEPRESSOR, SHEAR (FRONT)SPECIAL	5
1	238011-6	SPACER, TUBULAR	4
1	4-456135-1	CRIMPER, INSULATION	3
1	455888-4	SPACER, CRIMPER	2
1	2-456402-5	CRIMPER, WIRE	1
-1	PART NO	DESCRIPTION	ITEM NO
QTY	PARTS LIST		

* Trademark of AMP Incorporated

THIS DRAWING IS A CONTROLLED DOCUMENT. DIN J.HERRINGTON 9/29/88

DIMENSIONS: INCHES		TOLERANCES UNLESS OTHERWISE SPECIFIED:	
0. PLC	± .010	0.000	± .000
1. PLC	± .005	0.000	± .000
2. PLC	± .003	0.000	± .000
3. PLC	± .002	0.000	± .000
4. PLC	± .001	0.000	± .000
ANGLES	± .005		
MATERIAL		FINISH	

APVD: B.WOLFE	DATE: 11-23-88	NAME:	CRIMP SNAP-IN RECPT
PRODUCT SPEC:	APPLICATION SPEC:	SIZE:	CAGE CODE:
SCALE: A1	DRAWING NO: 00779	DRAWING NO: 466982-1	RESTRICTED TO: -
CUSTOMER DRAWING	SCALE: -	SHEET: 1 OF 1	REV: F

Tyco Electronics Corporation
Harrisburg, PA 17105-3608