

Description: LTE SNAP-ON ANTENNA

698-960MHz, 1427.9-1660.5MHz, 1695-2200MHz, 2300-2700MHz

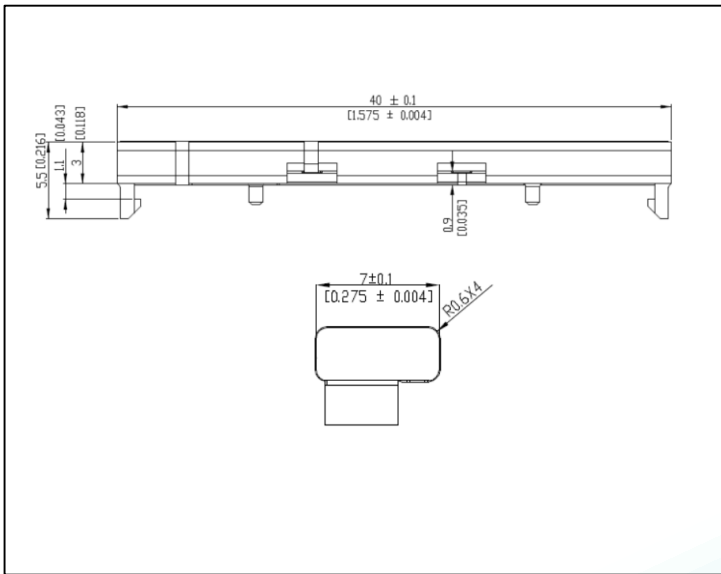
Series: Embedded Antenna

PART NUMBER: CLA-W3796P



Features:

- 698-2700MHz
- Easy snap-on mounting onto radio PCB
- Transparent plastic carrier
- C-clip contacts on radio board



Applications:

- 2G, 3G, 4G LTE
- M2M, IoT
- High speed data devices
- Security, Transportation
- Gateways, Set top boxes

All dimensions are in mm / inches

Issue: 1611

In the effort to improve our products, we reserve the right to make changes judged to be necessary.

CONFIDENTIAL AND PROPRIETARY INFORMATION

This document contains confidential and proprietary information of Pulse Electronics, Inc. (Pulse) and is protected by copyright, trade secret and other state and federal laws. Its receipt or possession does not convey any rights to reproduce, disclose its contents, or to manufacture, use or sell anything it may describe. Reproduction, disclosure or use without specific written authorization of Pulse is strictly forbidden.

For more information:

Pulse Worldwide Headquarters
12220 World Trade Drive
San Diego, CA 92128
USA
Tel: 1-858-674-8100

Pulse/Larsen Antennas
3611 NE 112th Ave
Vancouver, WA 98682
USA
Tel: 1-360-944-7551

Europe Headquarters
Pulse GmbH & Do, KG
Zeppelinstrasse 15
Herrenberg, Germany
Tel: 49 7032 7806 0

Pulse (Suzhou) Wireless Products Co, Inc.
99 Huo Ju Road(#29 Bldg,4th Phase
Suzhou New District
Jiangsu Province, Suzhou 215009 PR China
Tel: 86 512 6807 9998



Description: LTE SNAP-ON ANTENNA

698-960MHz, 1427.9-1660.5MHz, 1695-2200MHz, 2300-2700MHz

Series: Embedded Antenna

PART NUMBER: CLA-W3796P

ELECTRICAL SPECIFICATIONS

Frequency	698-960 / 1427.9-1660.5/ 1695-2200 / 2300-2700MHz
Nominal Impedance	50 Ω
VSWR	3.5:1 @ 1427.9-1660.5MHz 3:1 @ the others band
Return Loss	-5dB @ 1427.9-1660.5MHz -6dB @ the others band
Average Total Efficiency (698-960MHz)	60%
Average Total Efficiency (1427.9-1660.5MHz)	45%
Average Total Efficiency (1695-2200MHz)	70%
Average Total Efficiency (2300-2700MHz)	70%
Average Peak Gain (698-960MHz)	0.4 dBi
Average Peak Gain (1427.9-1660.5MHz)	1.5 dBi
Average Peak Gain (1695-2200MHz)	3.0 dBi
Average Peak Gain (2300-2700MHz)	5.2 dBi
Average Gain (698-960MHz)	-2.0 dBi
Average Gain (1427.9-1660.5MHz)	-3.1 dBi
Average Gain (1695-2200MHz)	-1.5 dBi
Average Gain (2300-2700MHz)	-1.5 dBi
Maximum power input	5W

(*) All RF parameters measured on Pulse reference test PCB

Issue: 1611

In the effort to improve our products, we reserve the right to make changes judged to be necessary.

CONFIDENTIAL AND PROPRIETARY INFORMATION

This document contains confidential and proprietary information of Pulse Electronics, Inc. (Pulse) and is protected by copyright, trade secret and other state and federal laws. Its receipt or possession does not convey any rights to reproduce, disclose its contents, or to manufacture, use or sell anything it may describe. Reproduction, disclosure or use without specific written authorization of Pulse is strictly forbidden.

Description: LTE SNAP-ON ANTENNA

698-960MHz, 1427.9-1660.5MHz, 1695-2200MHz, 2300-2700MHz

Series: Embedded Antenna

PART NUMBER: CLA-W3796P

MECHANICAL SPECIFICATIONS

Plastic	PC
Color	Clarity
Weight	2 g
Fixing system	2 snaps

ENVIRONMENTAL SPECIFICATIONS

Operating temperature	-40 ~ +85° C
-----------------------	--------------

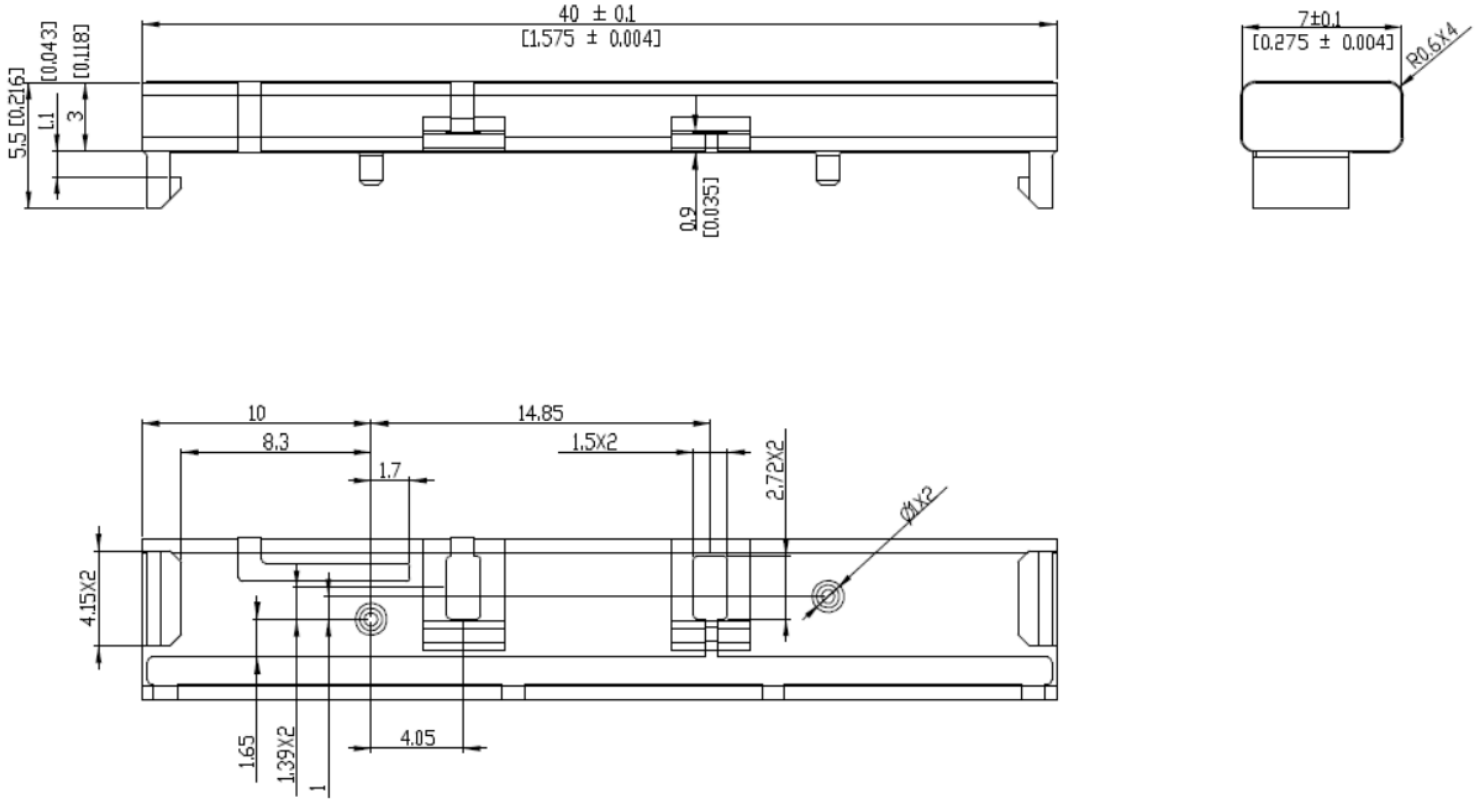
Description: LTE SNAP-ON ANTENNA

698-960MHz, 1427.9-1660.5MHz, 1695-2200MHz, 2300-2700MHz

Series: Embedded Antenna

PART NUMBER: CLA-W3796P

MECHANICAL DRAWING



Issue: 1611

In the effort to improve our products, we reserve the right to make changes judged to be necessary.

CONFIDENTIAL AND PROPRIETARY INFORMATION

This document contains confidential and proprietary information of Pulse Electronics, Inc. (Pulse) and is protected by copyright, trade secret and other state and federal laws. Its receipt or possession does not convey any rights to reproduce, disclose its contents, or to manufacture, use or sell anything it may describe. Reproduction, disclosure or use without specific written authorization of Pulse is strictly forbidden.

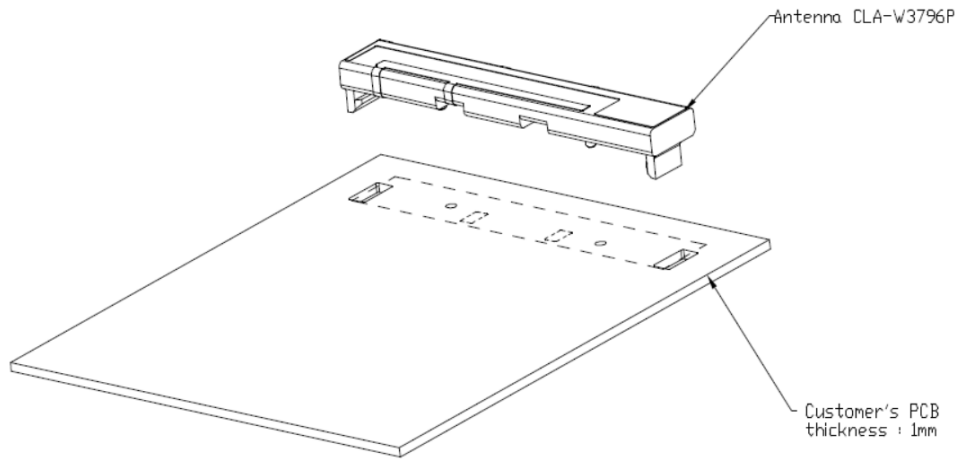
Description: LTE SNAP-ON ANTENNA

698-960MHz, 1427.9-1660.5MHz, 1695-2200MHz, 2300-2700MHz

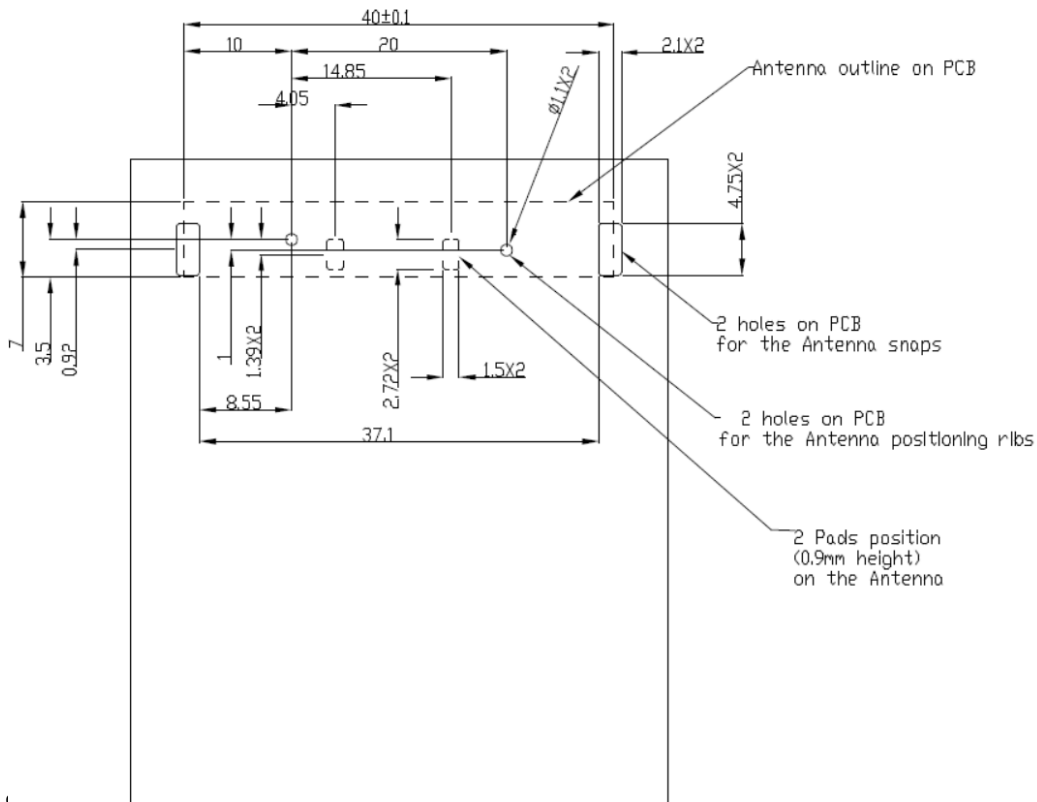
Series: Embedded Antenna

PART NUMBER: CLA-W3796P

OTHER SPECIFICATIONS



Antenna CLA-W3796P
Mounting on customer's PCB by 2 snaps.



Issue: 1611

In the effort to improve
CONFIDENTIAL AND PROPRIETARY INFORMATION

This document contains confidential and proprietary information of Pulse Electronics, Inc. (Pulse) and is protected by copyright, trade secret and other state and federal laws. Its receipt or possession does not convey any rights to reproduce, disclose its contents, or to manufacture, use or sell anything it may describe. Reproduction, disclosure or use without specific written authorization of Pulse is strictly forbidden.

Description: LTE SNAP-ON ANTENNA

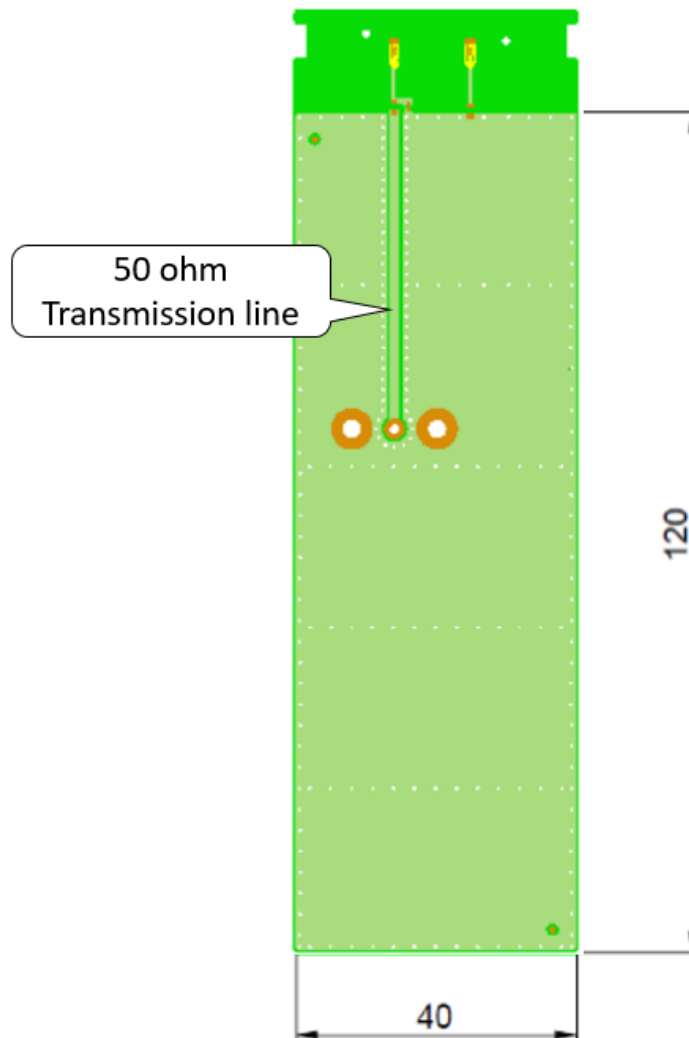
698-960MHz, 1427.9-1660.5MHz, 1695-2200MHz, 2300-2700MHz

Series: Embedded Antenna

PART NUMBER: CLA-W3796P

OTHER SPECIFICATIONS

Pulse reference test PCB for W3796 antenna



Ground plane dimensions

Issue: 1611

In the effort to improve our products, we reserve the right to make changes judged to be necessary.

CONFIDENTIAL AND PROPRIETARY INFORMATION

This document contains confidential and proprietary information of Pulse Electronics, Inc. (Pulse) and is protected by copyright, trade secret and other state and federal laws. Its receipt or possession does not convey any rights to reproduce, disclose its contents, or to manufacture, use or sell anything it may describe. Reproduction, disclosure or use without specific written authorization of Pulse is strictly forbidden.

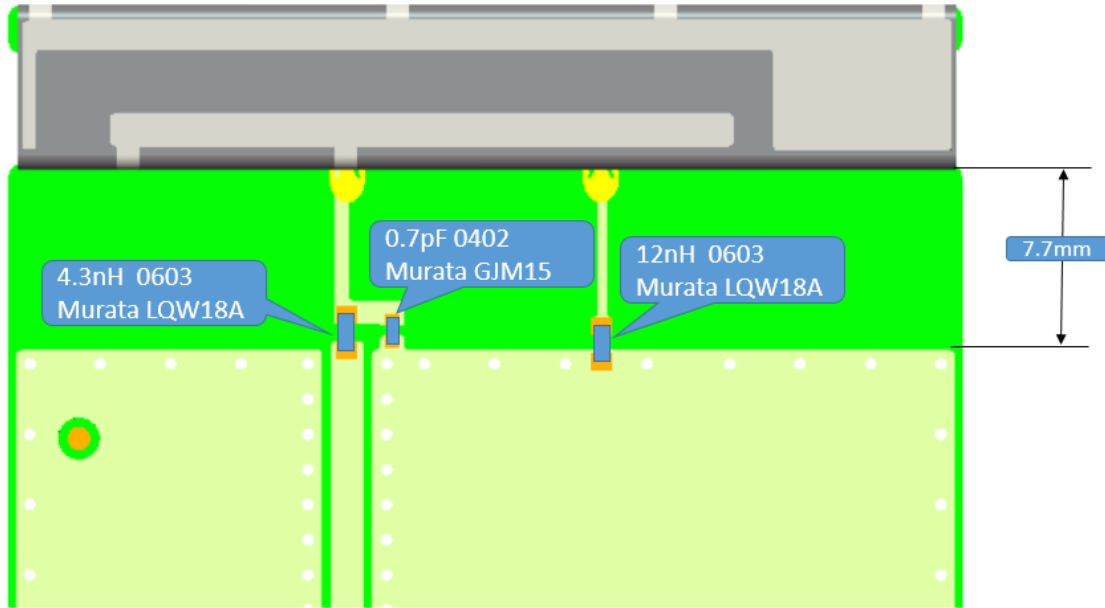
Description: LTE SNAP-ON ANTENNA

698-960MHz, 1427.9-1660.5MHz, 1695-2200MHz, 2300-2700MHz

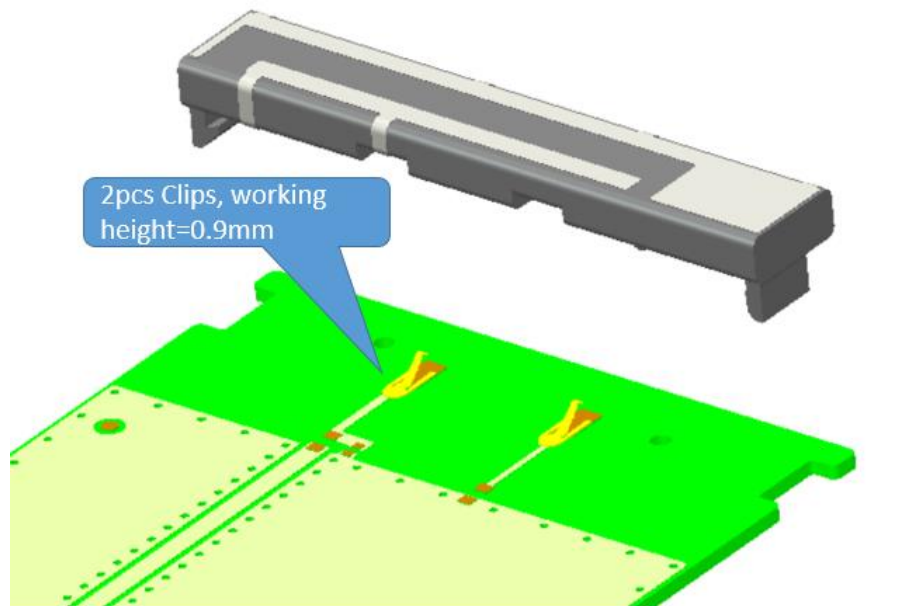
Series: Embedded Antenna

PART NUMBER: CLA-W3796P

OTHER SPECIFICATIONS



Ground clearance dimensions (mm) and matching component values



2 clips SMT on PCB to contact the pads on the antenna.

Issue: 1611

In the effort to improve our products, we reserve the right to make changes judged to be necessary.

CONFIDENTIAL AND PROPRIETARY INFORMATION

This document contains confidential and proprietary information of Pulse Electronics, Inc. (Pulse) and is protected by copyright, trade secret and other state and federal laws. Its receipt or possession does not convey any rights to reproduce, disclose its contents, or to manufacture, use or sell anything it may describe. Reproduction, disclosure or use without specific written authorization of Pulse is strictly forbidden.

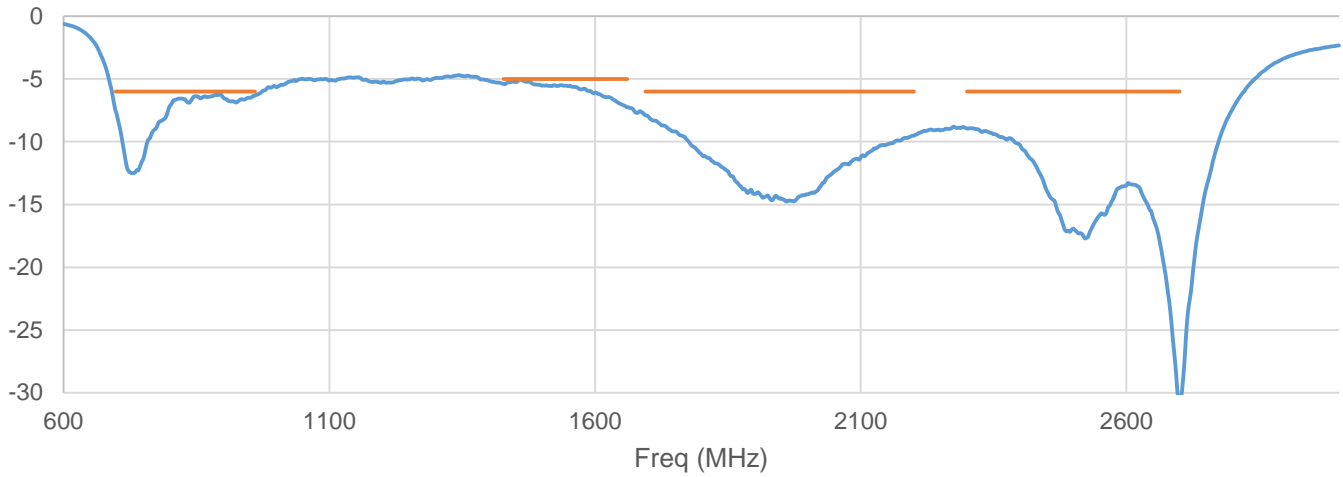
Description: LTE SNAP-ON ANTENNA
 698-960MHz, 1427.9-1660.5MHz, 1695-2200MHz, 2300-2700MHz

Series: Embedded Antenna

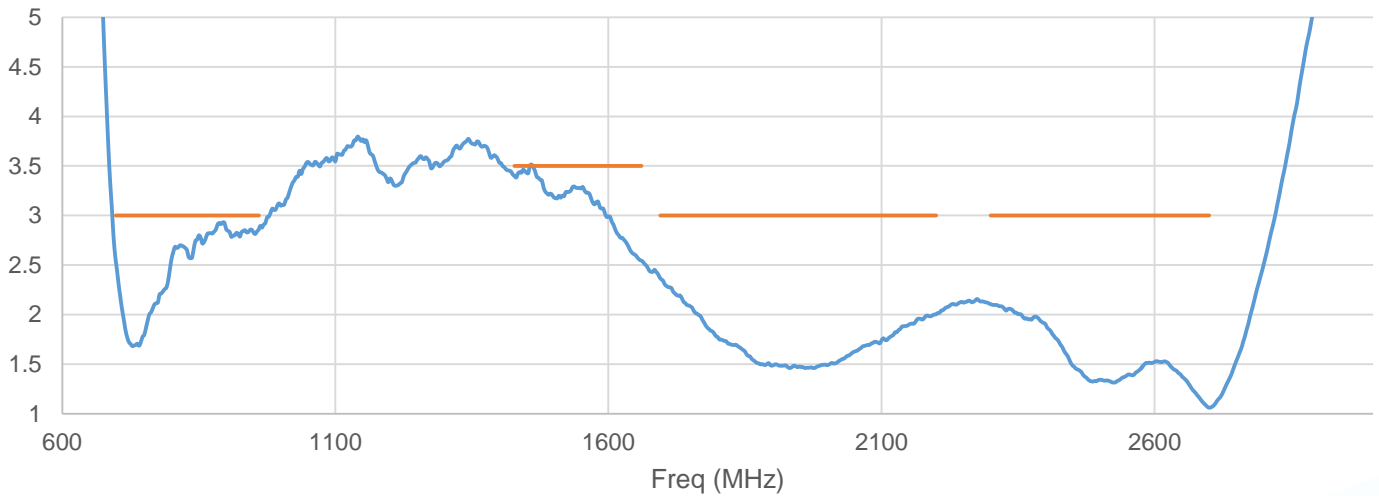
PART NUMBER: CLA-W3796P

CHARTS

Return Loss in free space



VSWR in free space



(*) All RF parameters measured on Pulse reference test PCB

Issue: 1611

In the effort to improve our products, we reserve the right to make changes judged to be necessary.

CONFIDENTIAL AND PROPRIETARY INFORMATION

This document contains confidential and proprietary information of Pulse Electronics, Inc. (Pulse) and is protected by copyright, trade secret and other state and federal laws. Its receipt or possession does not convey any rights to reproduce, disclose its contents, or to manufacture, use or sell anything it may describe. Reproduction, disclosure or use without specific written authorization of Pulse is strictly forbidden.

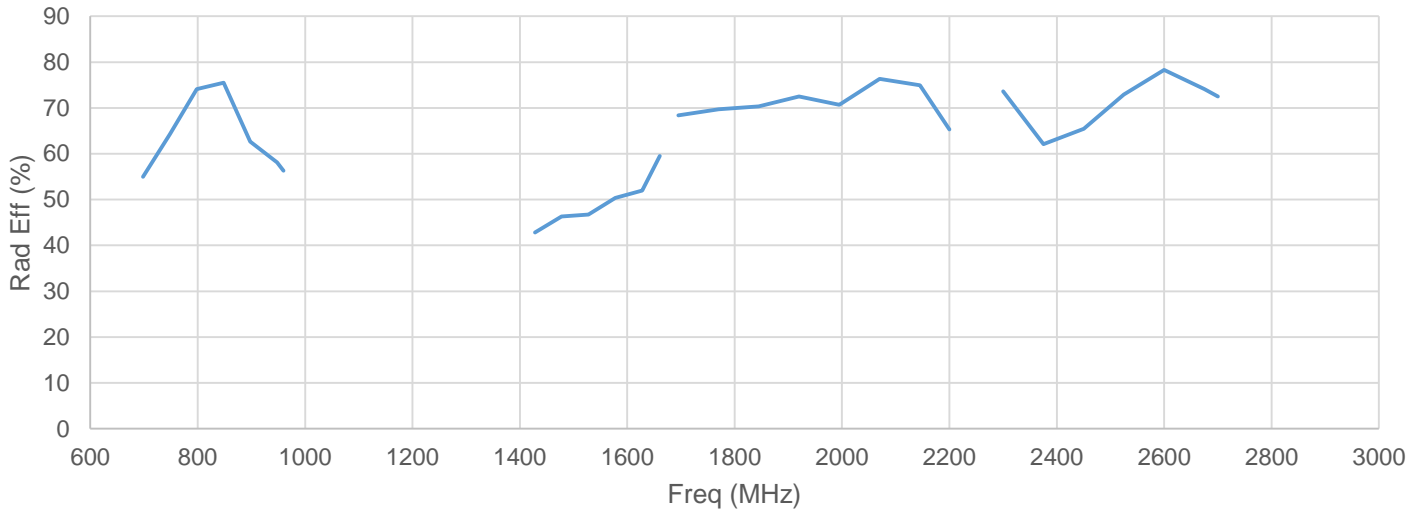
Description: LTE SNAP-ON ANTENNA
698-960MHz, 1427.9-1660.5MHz, 1695-2200MHz, 2300-2700MHz

Series: Embedded Antenna

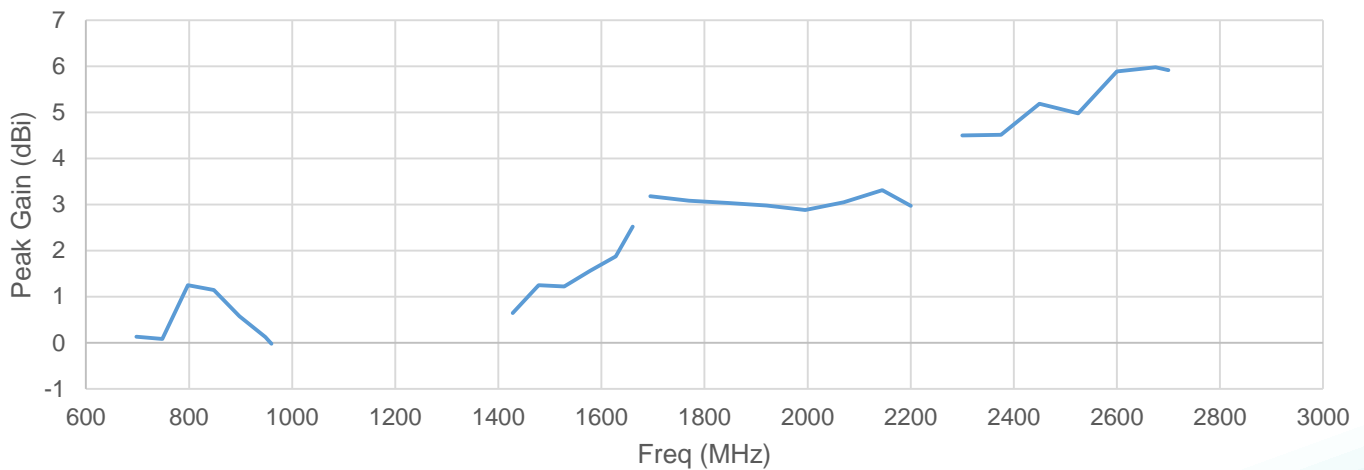
PART NUMBER: CLA-W3796P

CHARTS

Efficiency in free space



Peak Gain in free space



(*) All RF parameters measured on Pulse reference test PCB

Issue: 1611

In the effort to improve our products, we reserve the right to make changes judged to be necessary.

CONFIDENTIAL AND PROPRIETARY INFORMATION

This document contains confidential and proprietary information of Pulse Electronics, Inc. (Pulse) and is protected by copyright, trade secret and other state and federal laws. Its receipt or possession does not convey any rights to reproduce, disclose its contents, or to manufacture, use or sell anything it may describe. Reproduction, disclosure or use without specific written authorization of Pulse is strictly forbidden.



Description: LTE SNAP-ON ANTENNA

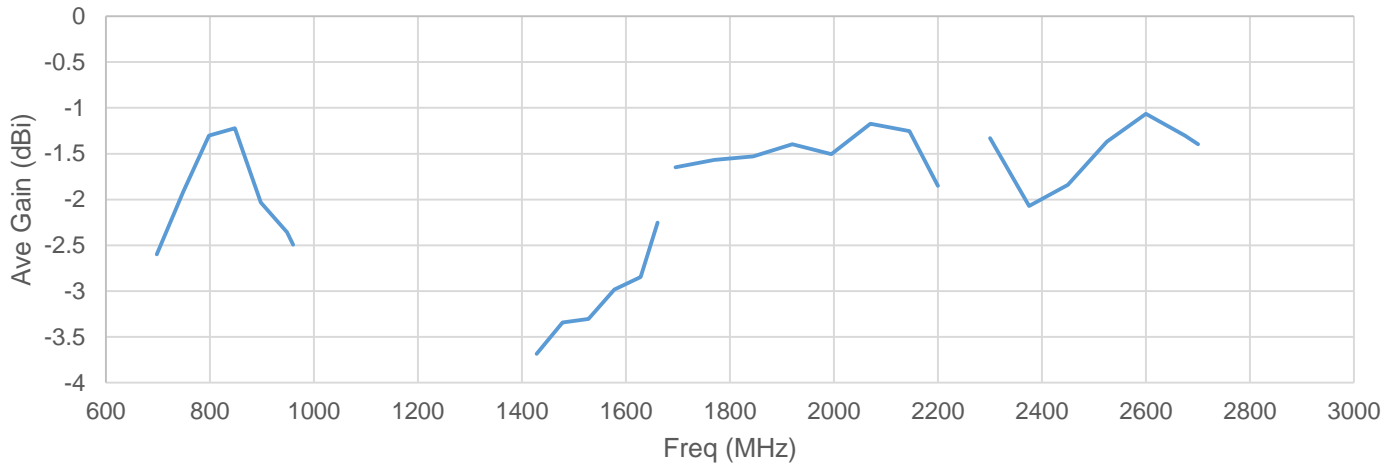
698-960MHz, 1427.9-1660.5MHz, 1695-2200MHz, 2300-2700MHz

Series: Embedded Antenna

PART NUMBER: CLA-W3796P

CHARTS

Average Gain in free space



(*) All RF parameters measured on Pulse reference test PCB

Issue: 1611

In the effort to improve our products, we reserve the right to make changes judged to be necessary.

CONFIDENTIAL AND PROPRIETARY INFORMATION

This document contains confidential and proprietary information of Pulse Electronics, Inc. (Pulse) and is protected by copyright, trade secret and other state and federal laws. Its receipt or possession does not convey any rights to reproduce, disclose its contents, or to manufacture, use or sell anything it may describe. Reproduction, disclosure or use without specific written authorization of Pulse is strictly forbidden.

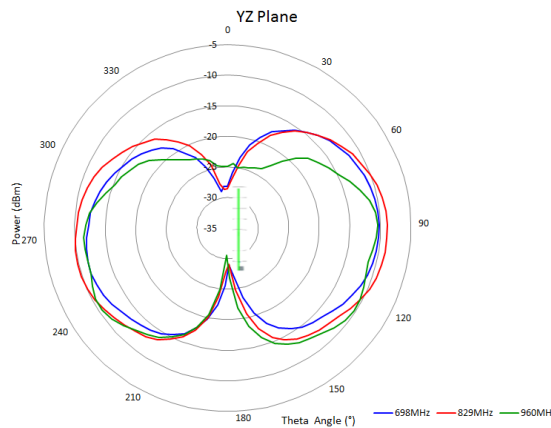
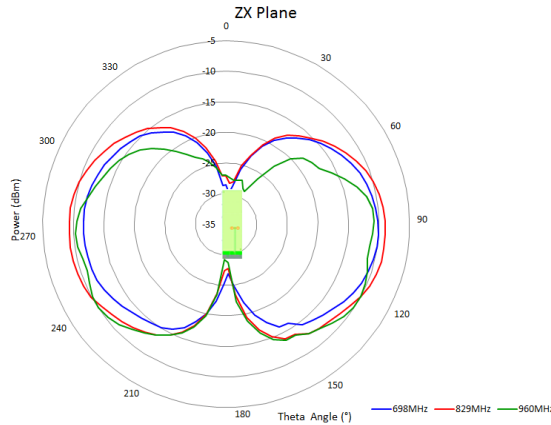
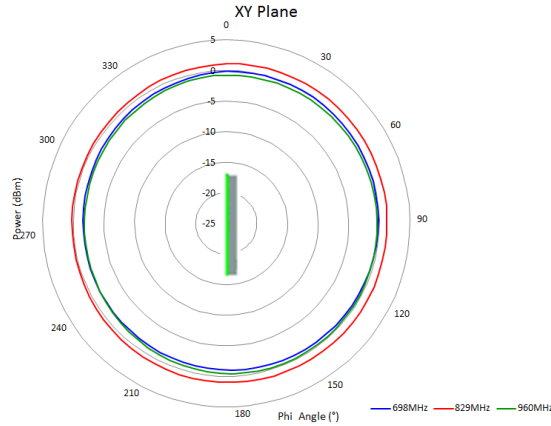
Description: LTE SNAP-ON ANTENNA
698-960MHz, 1427.9-1660.5MHz, 1695-2200MHz, 2300-2700MHz

Series: Embedded Antenna

PART NUMBER: CLA-W3796P

CHARTS

698-960MHz



(*) All RF parameters measured on Pulse reference test PCB

Issue: 1611

In the effort to improve our products, we reserve the right to make changes judged to be necessary.

CONFIDENTIAL AND PROPRIETARY INFORMATION

This document contains confidential and proprietary information of Pulse Electronics, Inc. (Pulse) and is protected by copyright, trade secret and other state and federal laws. Its receipt or possession does not convey any rights to reproduce, disclose its contents, or to manufacture, use or sell anything it may describe. Reproduction, disclosure or use without specific written authorization of Pulse is strictly forbidden.

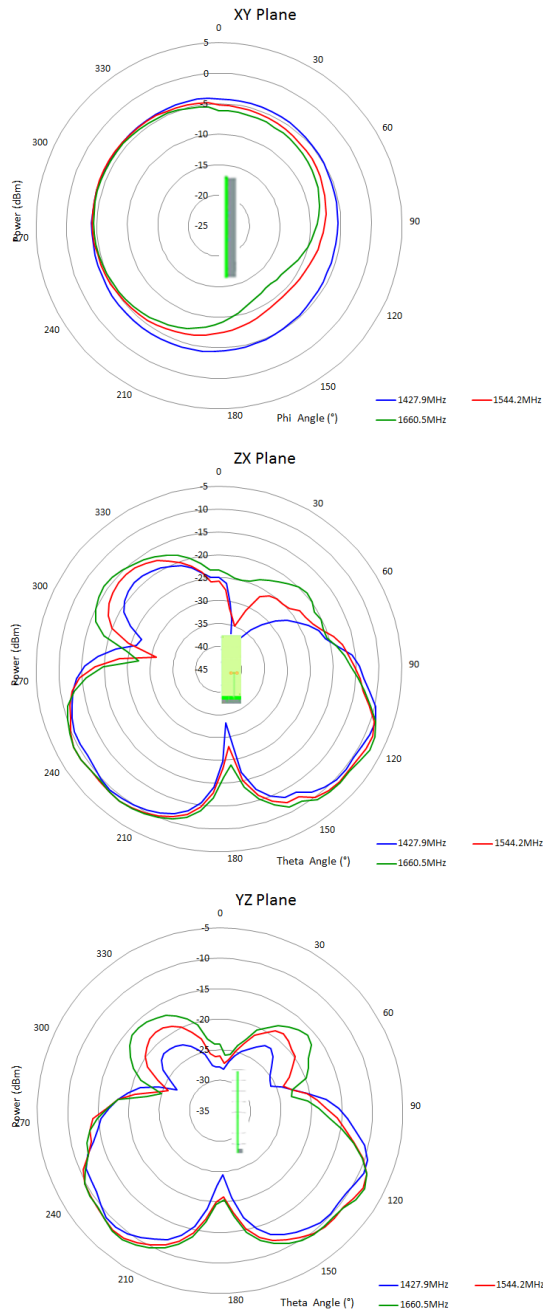
Description: LTE SNAP-ON ANTENNA
698-960MHz, 1427.9-1660.5MHz, 1695-2200MHz, 2300-2700MHz

Series: Embedded Antenna

PART NUMBER: CLA-W3796P

CHARTS

1427.9-1660.5MHz



(*) All RF parameters measured on Pulse reference test PCB

Issue: 1611

In the effort to improve our products, we reserve the right to make changes judged to be necessary.

CONFIDENTIAL AND PROPRIETARY INFORMATION

This document contains confidential and proprietary information of Pulse Electronics, Inc. (Pulse) and is protected by copyright, trade secret and other state and federal laws. Its receipt or possession does not convey any rights to reproduce, disclose its contents, or to manufacture, use or sell anything it may describe. Reproduction, disclosure or use without specific written authorization of Pulse is strictly forbidden.

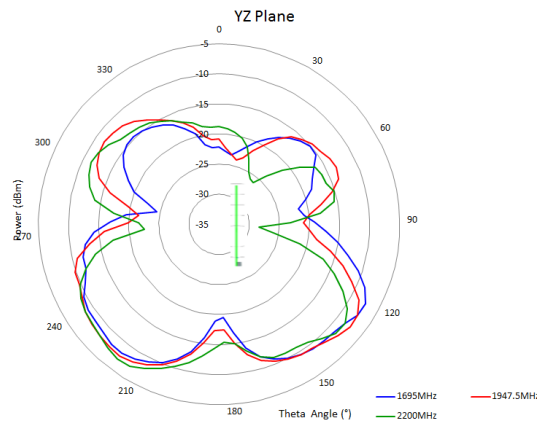
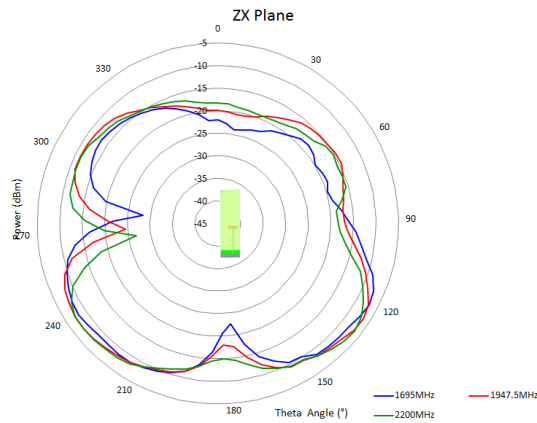
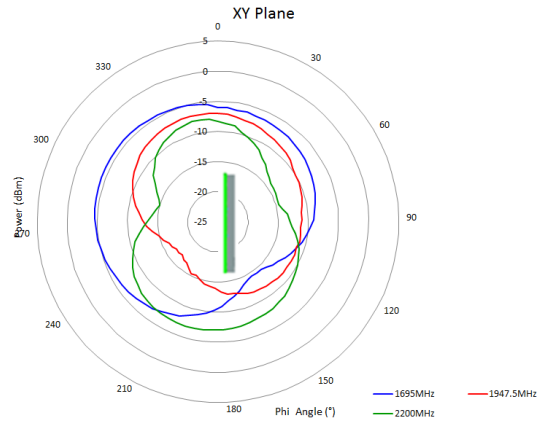
Description: LTE SNAP-ON ANTENNA
698-960MHz, 1427.9-1660.5MHz, 1695-2200MHz, 2300-2700MHz

Series: Embedded Antenna

PART NUMBER: CLA-W3796P

CHARTS

1695-2200MHz



(*) All RF parameters measured on Pulse reference test PCB

Issue: 1611

In the effort to improve our products, we reserve the right to make changes judged to be necessary.
CONFIDENTIAL AND PROPRIETARY INFORMATION

This document contains confidential and proprietary information of Pulse Electronics, Inc. (Pulse) and is protected by copyright, trade secret and other state and federal laws. Its receipt or possession does not convey any rights to reproduce, disclose its contents, or to manufacture, use or sell anything it may describe. Reproduction, disclosure or use without specific written authorization of Pulse is strictly forbidden.

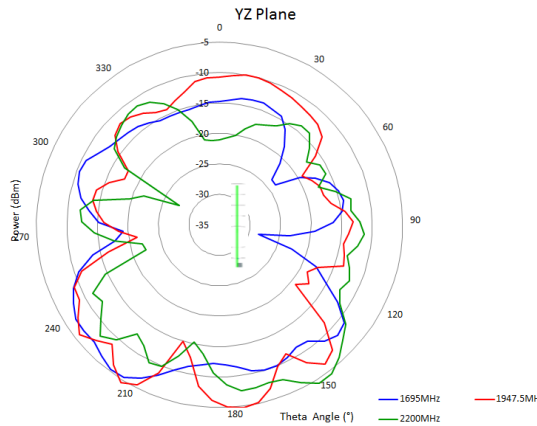
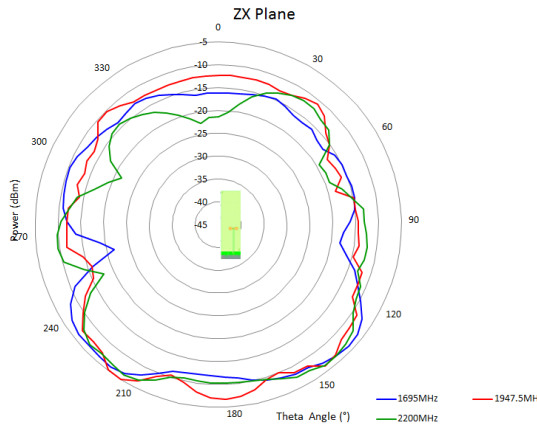
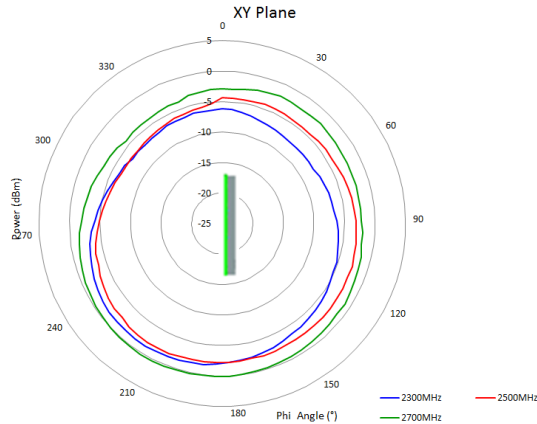
Description: LTE SNAP-ON ANTENNA
698-960MHz, 1427.9-1660.5MHz, 1695-2200MHz, 2300-2700MHz

Series: Embedded Antenna

PART NUMBER: CLA-W3796P

CHARTS

2300-2700MHz



(*) All RF parameters measured on Pulse reference test PCB

Issue: 1611

In the effort to improve our products, we reserve the right to make changes judged to be necessary.
CONFIDENTIAL AND PROPRIETARY INFORMATION

This document contains confidential and proprietary information of Pulse Electronics, Inc. (Pulse) and is protected by copyright, trade secret and other state and federal laws. Its receipt or possession does not convey any rights to reproduce, disclose its contents, or to manufacture, use or sell anything it may describe. Reproduction, disclosure or use without specific written authorization of Pulse is strictly forbidden.

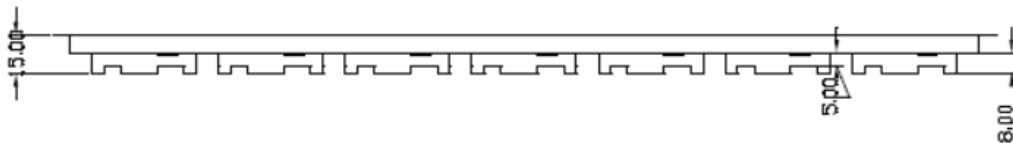
Description: LTE SNAP-ON ANTENNA

698-960MHz, 1427.9-1660.5MHz, 1695-2200MHz, 2300-2700MHz

Series: Embedded Antenna

PART NUMBER: CLA-W3796P

PACKAGING



105pcs/tray

1 tray = 105 pcs Antennas

1 carton = 40 trays = 4200 pcs Antennas

(*) All RF parameters measured on Pulse reference test PCB

Issue: 1611

In the effort to improve our products, we reserve the right to make changes judged to be necessary.

CONFIDENTIAL AND PROPRIETARY INFORMATION

This document contains confidential and proprietary information of Pulse Electronics, Inc. (Pulse) and is protected by copyright, trade secret and other state and federal laws. Its receipt or possession does not convey any rights to reproduce, disclose its contents, or to manufacture, use or sell anything it may describe. Reproduction, disclosure or use without specific written authorization of Pulse is strictly forbidden.