

# Customer Information Sheet

DRAWING No.: S7051-42R

SHEET 2 OF 2

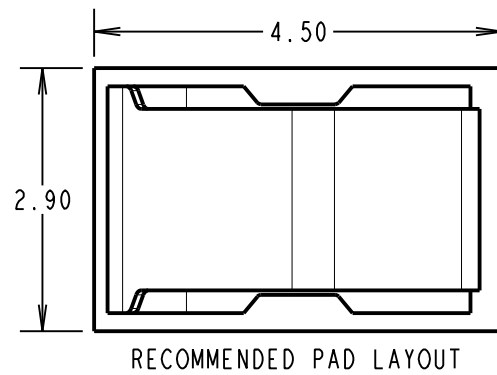
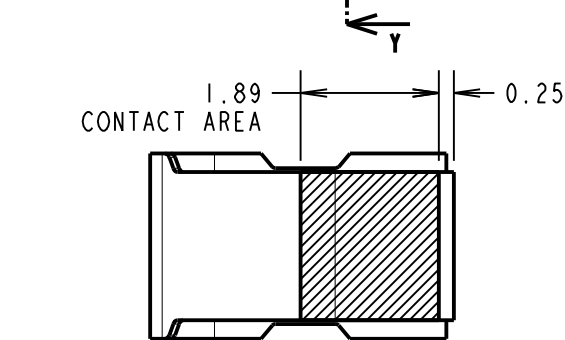
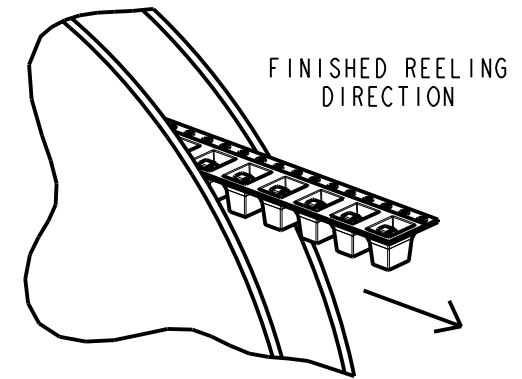
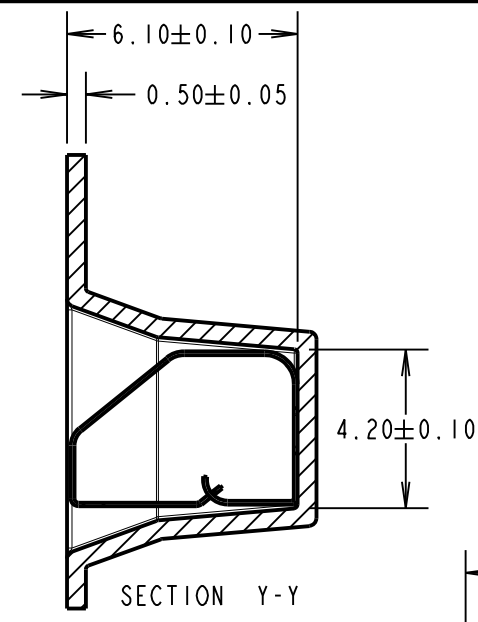
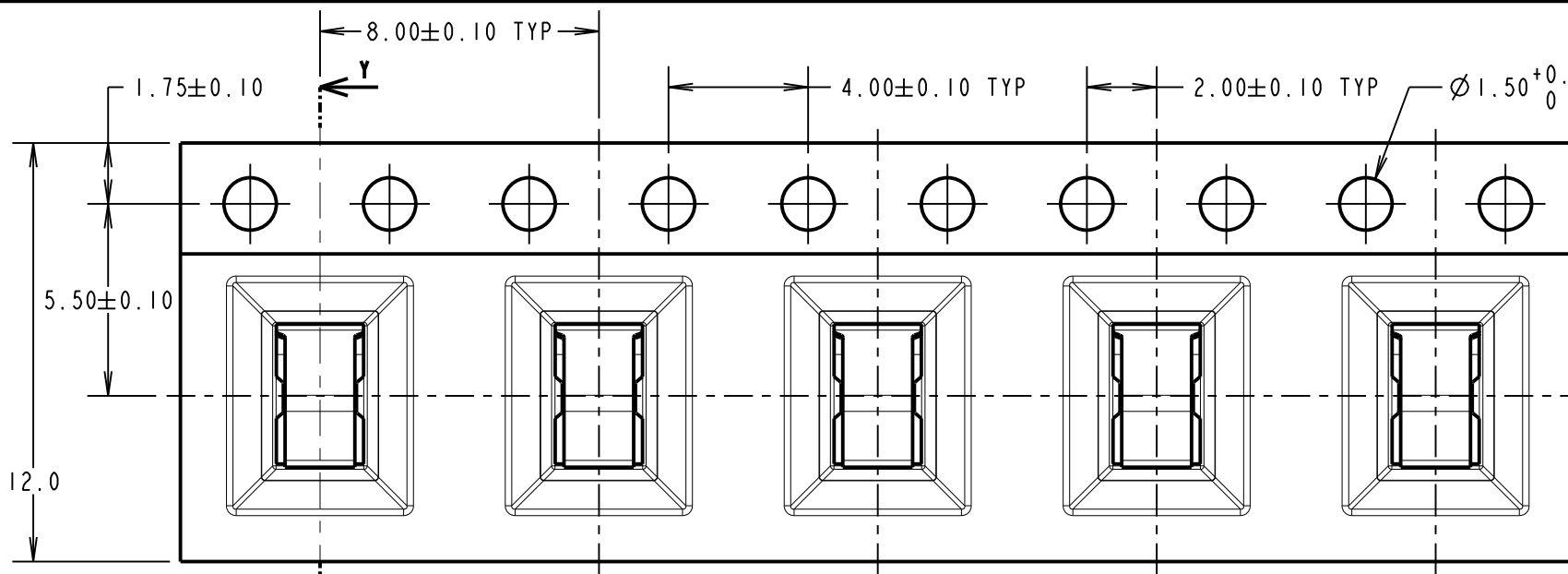
IF IN DOUBT - ASK

©

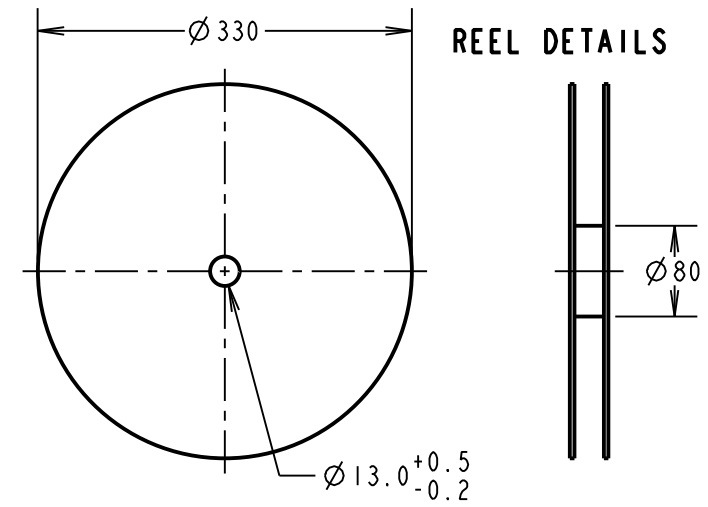
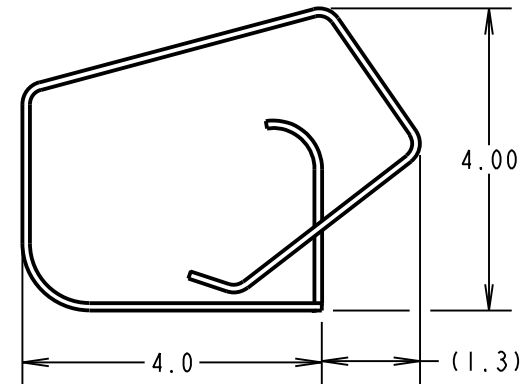
NOT TO SCALE

THIRD ANGLE PROJECTION

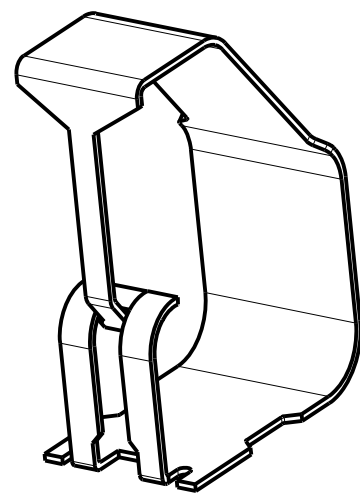
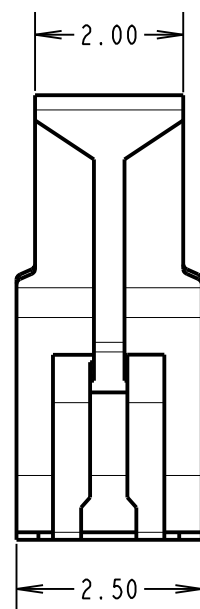
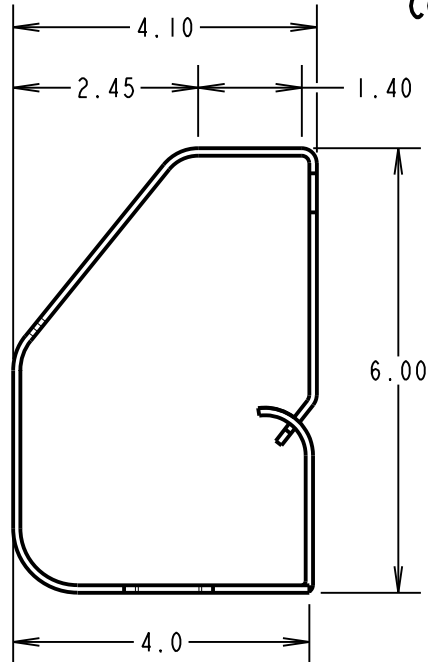
ALL DIMENSIONS IN mm



COMPONENT AT MINIMUM RECOMMENDED HEIGHT



**COMPONENT DETAILS**

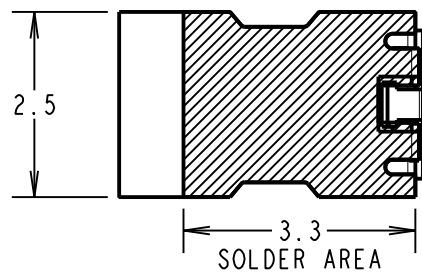


- NOTES:  
 1. QUANTITY PER REEL = 1400.  
 2. ALL TOLERANCES ARE: X.X = ±0.30mm  
 X.XX = ±0.15mm  
 UNLESS OTHERWISE STATED.

**COMPONENT SPECIFICATION**

MATERIAL = TITANIUM COPPER ALLOY, 0.10mm THICK  
 FINISH = 0.7µ - 1.3µ NICKEL, GOLD FLASH ON CONTACT  
 AND 2.54µ MIN 100% MATTE TIN ON FOOT AREA.  
 RECOMMENDED WORKING HEIGHT = 4.50mm / MIN FORCE = 1.2N  
 RECOMMENDED MINIMUM WORKING HEIGHT = 4.00mm  
 ELECTRICAL:  
 CURRENT = 4A  
 MECHANICAL:  
 DURABILITY = 2500 CYCLES  
 ENVIRONMENTAL:  
 OPERATING TEMPERATURE = -55°C TO +125°C

SB	6	20.11.13	12234
NAME	ISS.	DATE	C/NOTE
APPROVED:		S.BENNETT	
CHECKED:		S.FLOWER	
DRAWN:		R.ADDE	
CUSTOMER REF.:			
ASSEMBLY DRG:			



**HARWIN**  
 www.harwin.com  
 technical@harwin.com

THIS DRAWING AND ANY INFORMATION OR DESCRIPTIVE MATTER SET OUT HEREON ARE CONFIDENTIAL AND COPYRIGHT PROPERTY OF THE HARWIN GROUP AND MUST NOT BE DISCLOSED, LOANED, COPIED OR USED FOR MANUFACTURING, TENDERING OR FOR ANY OTHER PURPOSE WITHOUT THEIR WRITTEN PERMISSION.

**TOLERANCES**  
 X = ±1mm  
 X.X = ±0.25mm  
 X.XX = ±0.10mm  
 X.XXX = ±0.01mm  
 ANGLES = ±5°  
 UNLESS STATED

**MATERIAL:** SEE ABOVE  
**FINISH:** SEE ABOVE  
**S/AREA:** mm<sup>2</sup>

**TITLE:** SMT SHIELD FINGER (6mm) IN TAPE AND REEL  
**DRAWING NUMBER:** S7051-42R  
 SHT 2 OF 2