

LOC		DIST		REVISIONS			
P	LTR	DESCRIPTION	DATE	DN	APVD		
T		REV PER ECO-15-016611	23DEC15	KG	EO		

- CONNECTOR DIMENSIONS ARE PER ARINC 600 SPECIFICATION.
 - CONNECTOR IS SUPPLIED WITH CONTACTS (PER TABLE) ASSEMBLED AS SHOWN.
 - KEYING SHOWN IN POSITION "01" FOR ILLUSTRATION ONLY. CONNECTORS SHIPPED WITH KEYING INSTALLED IN POSITION PER TABLE. FOR POSITION "00" KEYING HARDWARE SHIPPED UNASSEMBLED.
- △ WITH CONTACT FULLY SEATED TO REAR OF CAVITY.
- △ FOR 1218049-3 CUSTOMER P/N 2232591-4 REV D, AND DATE CODE MARKED ON CONNECTOR BODY.
- △ FOR 1218049-4 CUSTOMER CAGE CODE, CUSTOMER PART NO. AND CUSTOMER REV LEVEL AND TE CAGE CODE MARKED AS SHOWN BELOW:
 98571-2234352-1 REV (LETTER OR NUMBER)
 MFR 00779
- △ FOR 1218049-4 TE PART NO. AND DATE CODE MARKED IN THIS AREA.

REMARKS	DUST COVER INCLUDED	DIM A	CLINCH NUTS	KEYING POSITION	CONTACTS INCLUDED AND NOT INSTALLED	CONTACTS INCLUDED AND INSTALLED	PART NUMBER
	NO	.250 MIN	(6) #6-32 AS SHOWN SELF-LOCKING	09	---	MODULE A & B 150 POSN MONOBLOCKS QTY 2 MODULE C CAVITIES 1,2,3,4,5,6,7,8,9,10 & 11 1-448138-2 (#20 POSTED) 1-448139-4 (#16 POSTED) 448140-3 (#12 POSTED)	1218049-5
△△	YES	.250 MIN	(6) #6-32 AS SHOWN SELF-LOCKING	09	---	MODULE A & B 150 POSN MONOBLOCKS QTY 2 MODULE C CAVITIES 1,2,3,4,5,6,7,8,9,10 & 11 1-448138-2 (#20 POSTED) 1-448139-4 (#16 POSTED) 448140-3 (#12 POSTED)	1218049-4
△5	NO	.250 MIN	(6) #6-32 AS SHOWN SELF-LOCKING	09	---	MODULE A & B 211431-4 (SIZE 22) MODULE C CAVITIES 1,2,3,4,5,6,7,8,9,10 & 11 1-448138-2 (#20 POSTED) 1-448139-4 (#16 POSTED) 448140-3 (#12 POSTED)	1218049-3
	YES	△ .141-.181 [3.58-4.60]	(10) #4-40 FREE RUNNING	88	---	MODULE A & B 211431-2 (SIZE 22) (111) MODULE C 1-448140-2 (#12 POSTED) 2-448138-0 (#20 POSTED) SELECT LOAD PER DETAIL	1218049-2
	NO	.250 MIN	(6) #6-32 AS SHOWN SELF-LOCKING	09	1218241-2 (#12 SOLDER CUP) 1218240-2 (#20 SOLDER CUP)	MODULE A & B 211431-4 (SIZE 22) MODULE C CAVITIES 2,3,4,5,6,8,9,10 & 11 1-448138-2 (#20 POSTED) 1-448139-4 (#16 POSTED) 448140-3 (#12 POSTED)	1218049-1

THIS DRAWING IS A CONTROLLED DOCUMENT.

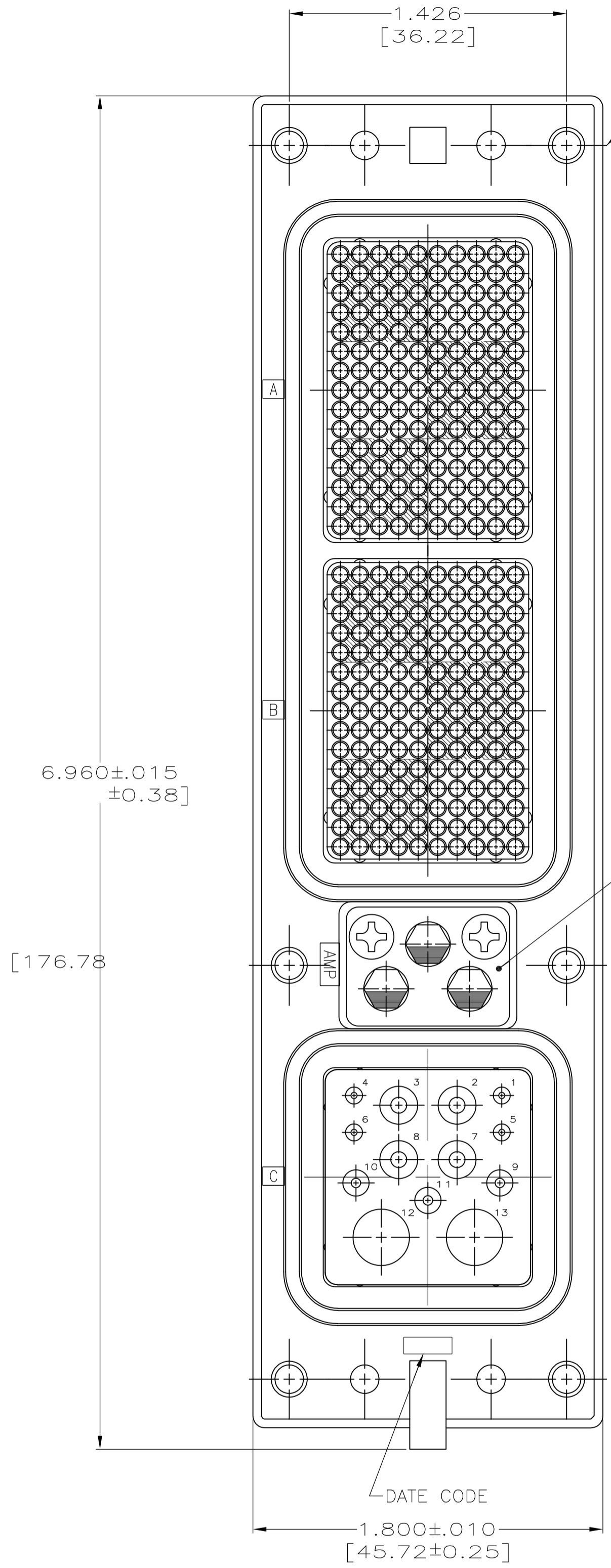
DIMENSIONS: INCHES [mm]	TOLERANCES UNLESS OTHERWISE SPECIFIED:	0 PLC ± -	1 PLC ± -	2 PLC ± -	3 PLC ± .010 [0.25]	4 PLC ± -	ANGLES ± -
-------------------------	--	-----------	-----------	-----------	---------------------	-----------	------------

MATERIAL SEE CALLOUTS FINISH SEE CALLOUTS

APVD	J.A. Baker	09-24-97
CHK	A. SHARPE	10-20-97
NAME	RCPT ASSY, SIZE 2, ARINC 600	
SIZE	CAGE CODE	DRAWING NO
A1	00779	1218049

CUSTOMER DRAWING SCALE 2:1 SHEET 1 OF 2 REV T

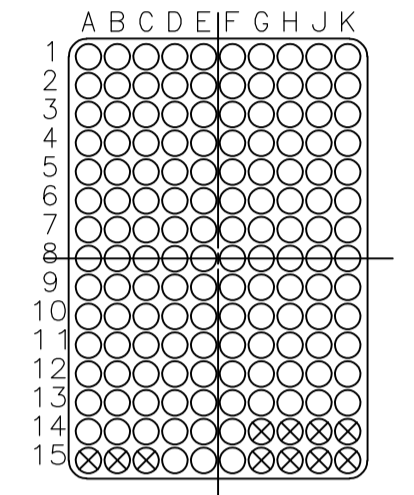
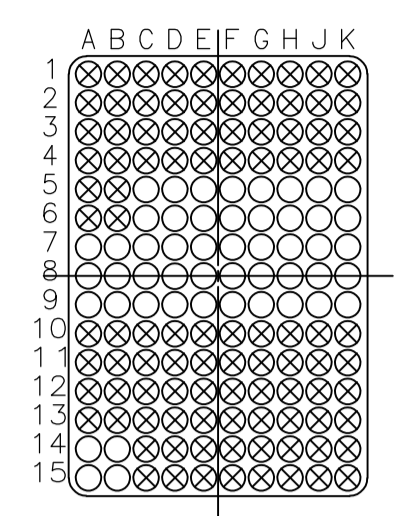
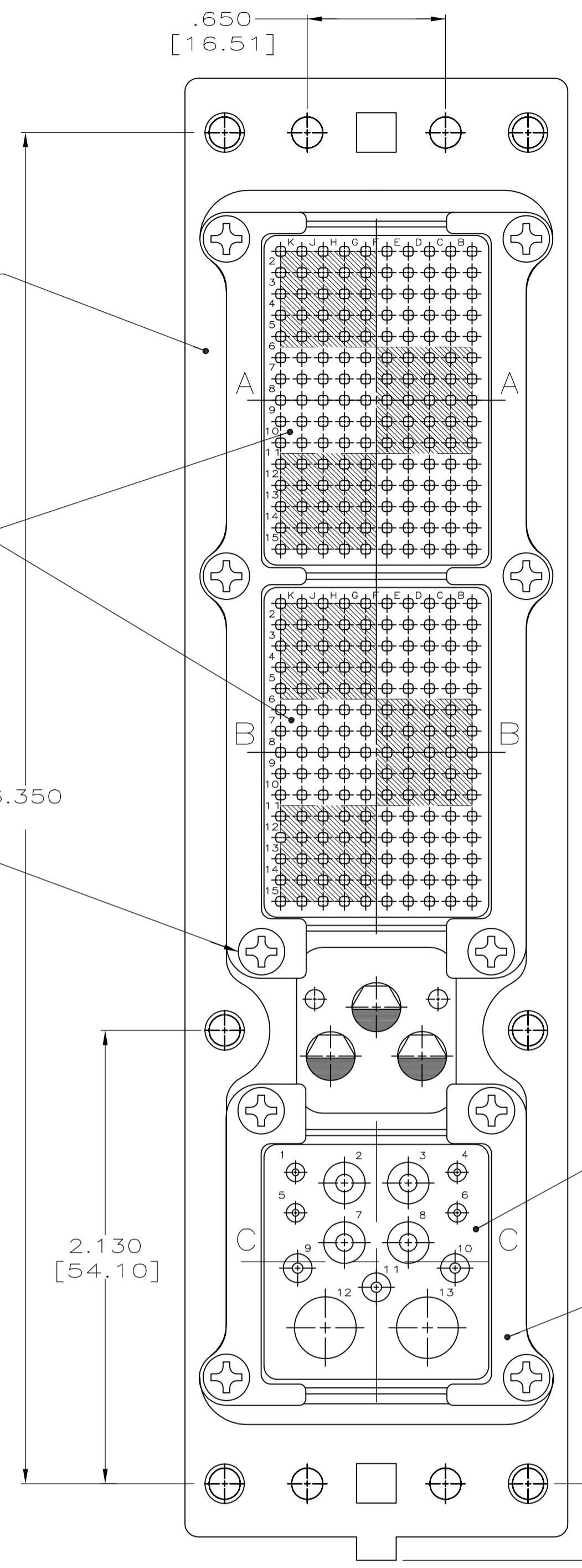
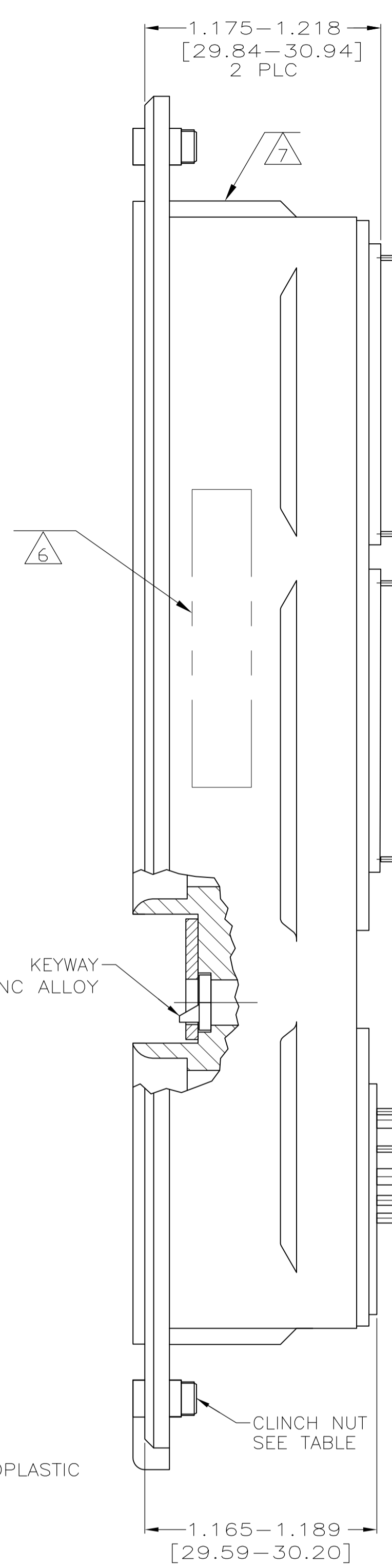
LOC		DIST		REVISIONS			
F	LTR	DESCRIPTION	DATE	DNW	APVD		
-	-	SEE SHEET 1	-	-	-	-	-



SHELL
MAT'L: ALUMINUM ALLOY
PER ASTM-B-85
FINISH: ENI PER
MIL-C-26074 CLASS 3
GRADE 8

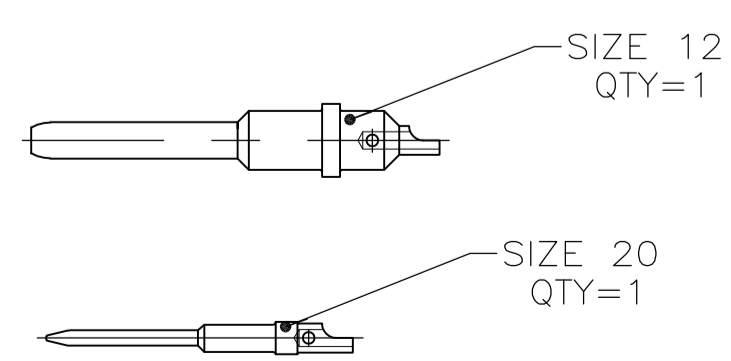
PLATE & SCREWS

DUST COVER INSTALLED
MAT'L: CONDUCTIVE THEROPLASTIC
SEE TABLE



LOAD POSITIONS
1,7 & 8

SELECT LOAD DETAIL
FOR 1218049-2 ONLY
MATING FACE VIEW
X = LOADED POSITION



THIS DRAWING IS A CONTROLLED DOCUMENT.		DIN J.A.Baker 09-24-97		STE TE Connectivity	
DIMENSIONS: INCHES [mm]		TOLERANCES UNLESS OTHERWISE SPECIFIED:		NAME RCPT ASSY, SIZE 2, ARINC 600	
0 PLC ± -		1 PLC ± -		APVD A SHARPE 10-20-97	
1 PLC ± -		2 PLC ± -		PRODUCT SPEC	
2 PLC ± -		3 PLC ± .010 [0.25]		APPLICATION SPEC	
3 PLC ± -		4 PLC ± -		SIZE A1	
4 PLC ± -		ANGLES ± -		CAGE CODE 00779	
MATERIAL SEE CALLOUTS		FINISH SEE CALLOUTS		DRAWING NO. 1218049	
		WEIGHT -		RESTRICTED TO	
		CUSTOMER DRAWING		SCALE 2:1 SHEET 2 OF 2 REV T	