

4

3

2

1

THIS DRAWING IS UNPUBLISHED.

RELEASED FOR PUBLICATION

20

© COPYRIGHT 20

ALL RIGHTS RESERVED.

LOC
ES

DIST

REVISIONS

P	LTR	DESCRIPTION	DATE	DWN	APVD
	A3	NOTE 5, 6	05DEC2014	M.S	X.X
	A4	MARK CHANGE	14MAY2015	M.S	X.X
	A5	ADD PN	13OCT2015	M.S	X.X
	B	ECR-16-007582	01JUN2016	M.S	X.X

PLUG

RECEPTACLE

SOLID

18-22AWG

STE

13.30REF

40.00REF

7.75REF

STE

18-22AWG

SOLID

7.75REF

PART NUMBER	PLUG	RECEPTACLE	PART COLOR
2271203-1	2271180-1	2271183-1	ORANGE
2271203-2	2271180-2	2271183-2	BLACK
2271203-3	2271180-3	2271183-3	WHITE (NATURAL)

NOTES:

1 MATED CONNECTOR PART NUMBER:SEE TABLE.

2 MATERIAL

3 TERMINAL: COPPER ALLOY.

4 HOUSING: NYLON, UL 94-V0.COLOR: ORANGE.

5 FINISH

6 TERMINAL: TIN PLATING OVERALL.

7 PACKAGING: PLASTIC BAG.

8 APPLICABLE WIRE: AWG18-22 SOLID OR TIN DIPPED STRANDED.
(16 STRANDS MAX. FOR 18 AWG, 7 STRANDS MAX FOR 20-22 AWG. SEE RELATED APPLICATION SPECIFICATION AND PRODUCT SPECIFICATION)

9 STRIP LENGTH:9.0-9.6mm.

10 PRODUCT COMPLIES TO UL 2459 REQUIREMENT AND QUALIFIED:
ZMNA.E308110 ; ZMNA7.E308110

THIS DRAWING IS A CONTROLLED DOCUMENT.		DWN	18MAY2014	TE Connectivity NAME 2 PIN WIRE TO WIRE CONNECTOR					
		CHK	18MAY2014						
		APVD	18MAY2014						
DIMENSIONS: mm		TOLERANCES UNLESS OTHERWISE SPECIFIED: ±0.50		PRODUCT SPEC	108-137020				
		0-PLC ±		APPLICATION SPEC	114-137020				
		1-PLC ±		SIZE	CAGE CODE	DRAWING NO	RESTRICTED TO		
MATERIAL		FINISH		WEIGHT	3.56g	A300779	C=2271203		
CUSTOMER DRAWING				SCALE	4:1	SHEET	1 OF 2	REV	B

1470-19 (3/11)

4

3

2

1

THIS DRAWING IS UNPUBLISHED.

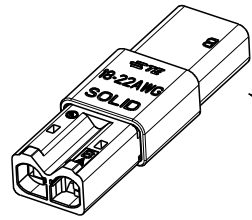
RELEASED FOR PUBLICATION

20

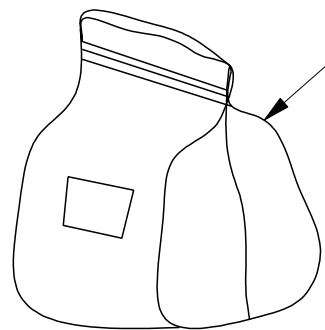
© COPYRIGHT 20

ALL RIGHTS RESERVED.

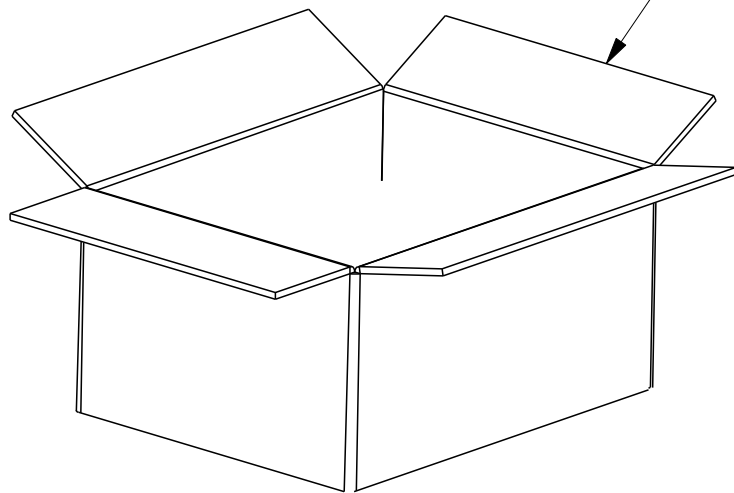
LOC	DIST	REVISIONS					
		P	LTR	DESCRIPTION	DATE	DWN	APVD
ES							



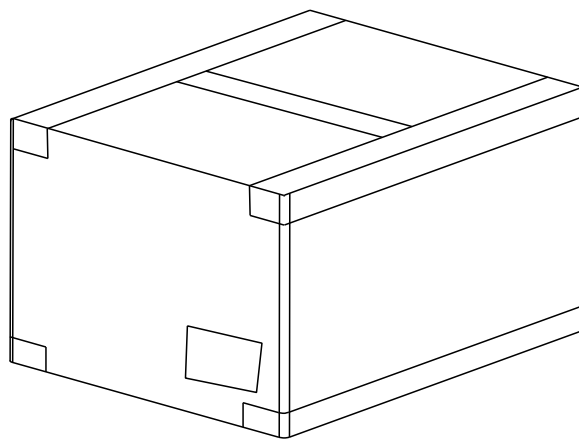
2271203-X



PLASTIC BAG



CARTON



NOTE:
1. PACKAGING QUANTITY: SEE TABLE.

PAIRS PER BAG	BAGS PER CARTON	PAIRS PER CARTON
250 PCS	8	2000

THIS DRAWING IS A CONTROLLED DOCUMENT.

DIMENSIONS: mm	TOLERANCES UNLESS OTHERWISE SPECIFIED: 0 PLC ± 1 PLC ±10 2 PLC ±5.0 3 PLC ± 4 PLC ± ANGLES ±5°
MATERIAL	FINISH

DWN	18MAY2014
CHK	SHI MING
APVD	XU XIANG
PRODUCT SPEC	XU XIANG
APPLICATION SPEC	-
WEIGHT	-
CUSTOMER DRAWING	

STE TE Connectivity

NAME				2 PIN WIRE TO WIRE CONNECTOR			
SIZE	CAGE CODE	DRAWING NO	RESTRICTED TO				
A	300779	C-2271203	-				
SCALE 4:1			SHEET 2 OF 2		REV B		

D

C

B

A