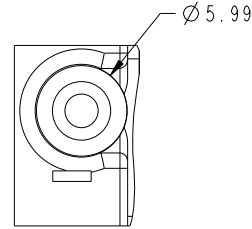
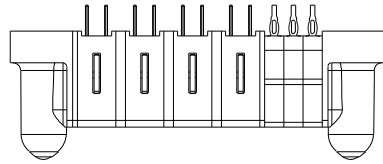


Tous droits strictement réservés. Reproduction ou communication a des tiers interdite sous quelque forme que ce soit sans autorisation écrite du propriétaire. Propriété de c.FCI. Droits de reproduction FCI.

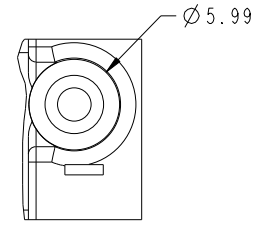
All rights strictly reserved. Reproduction or issue to third parties in any form whatever is not permitted without written authority from the proprietor. Property of FCI. Copyright FCI.



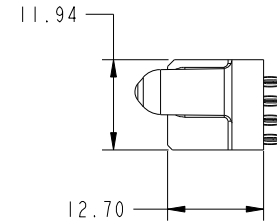
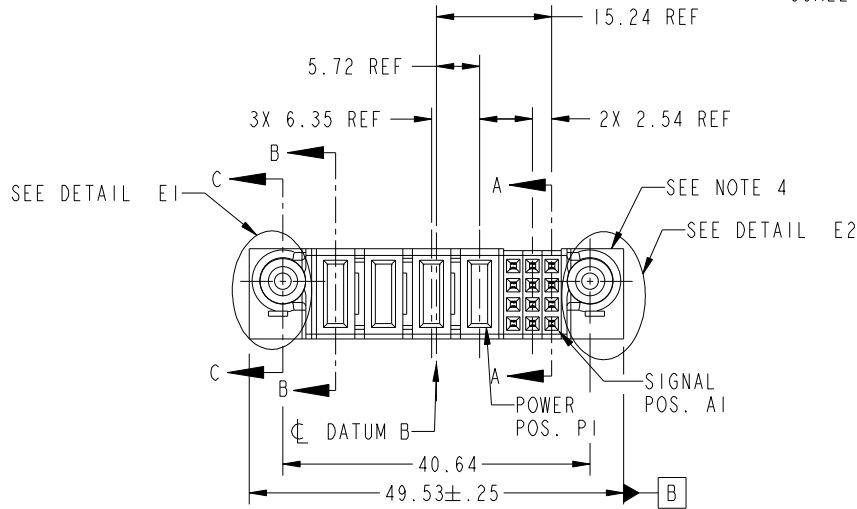
| | | | | | | | | | | |
|--------------------------------------|--------------------------|-------|----|----|----|--------|---|---|---|----|
| PRODUCT NO. 51940-190-- NOTE ③ | ROWS D C B A | POWER | | | | SIGNAL | | | | E1 |
| | | E2 | P4 | P3 | P2 | P1 | 3 | 2 | 1 | |
| | | | | | | | | | | |



DETAIL E1
SCALE 2:1



DETAIL E2
SCALE 2:1



CONFIDENTIAL

| CODE | DIM "M" MATING LENGTH | CONTACT TYPE |
|------|-----------------------|--------------|
| PC | [1.07] | POWER |
| F | [N/A] | SIGNAL |
| PF | [2.34] | POWER |

| | | | | | | | | | |
|-------------|-----------|----------------|----------|-------------|----------------------|---------------------------------------|---|---------------------------|--|
| mat'l code | | | | SEE NOTE | | tolerances unless otherwise specified | | CUSTOMER | |
| lir | ecn no. | dr | date | linear | 0.X ± 0.3 | COPY | | | |
| A | DG06-0200 | JULIA | 05/26/06 | 0.XX ± 0.10 | projection | | | | |
| B | DG06-0367 | JULIA | 09/07/06 | angles | 0.XXX ± 0.050 | MM | | title | |
| | | | | dr | 0° ± 2° | scale | | 12S + 4P | |
| | | | | enr | JULIA WANG 05/26/06 | 1:1 | | VERTICAL PRESS FIT RECEPT | |
| | | | | chr | SALLY LUO 06/06/06 | | | product family | |
| | | | | oppd | BEER FU 05/26/06 | | | PwrBlade | |
| | | | | | JOSEPH HSIA 05/26/06 | | | code | |
| sheet index | | revision sheet | | B | B | B | B | size | |
| | | 1 2 | | B | B | B | B | dwg no | |
| | | | | 3 | 4 | | | A 51940-190 | |
| | | | | | | | | sheet | |
| | | | | | | | | 1 of 4 | |

| | | | | | |
|----------------|--|-----------|--|--------|--|
| product family | | PwrBlade | | code | |
| size | | dwg no | | 213 | |
| A | | 51940-190 | | sheet | |
| | | | | 1 of 4 | |

| | | | | | | | | | | | |
|-------|--|----------|--|---|--|---|--|---|--|---|--|
| sheet | | revision | | B | | B | | B | | B | |
| index | | sheet | | 1 | | 2 | | 3 | | 4 | |

A

A

B

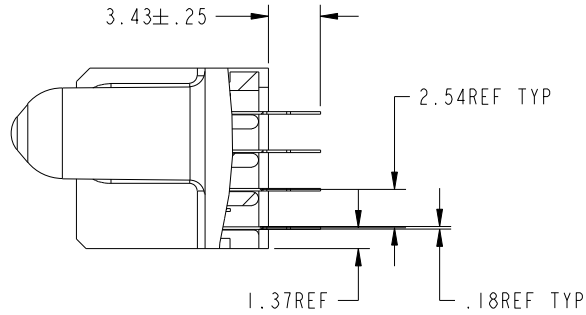
B

Tous droits strictement reserves. Reproduction ou communication a des tiers interdite sous quelque forme que ce soit sans autorisation ecrite du proprietaire. Propriete de c.FCI. Droits de reproduction FCI.

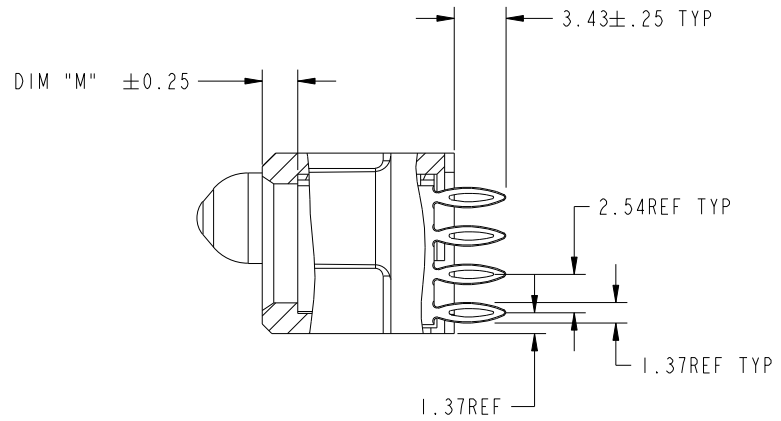
All rights strictly reserved. Reproduction or issue to third parties in any form whatever is not permitted without written authority from the proprietor. Property of FCI. Copyright FCI.



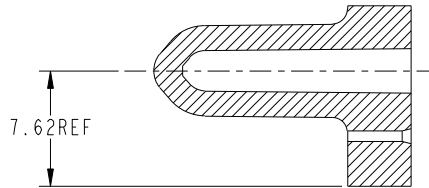
PRODUCT NUMBER
51940-190--
NOTE: 3



SECTION A-A
SCALE 2:1



SECTION B-B
SCALE 2:1



SECTION C-C
SCALE 2:1

CONFIDENTIAL

| | | | | | | | | | | | | | |
|-------------|----------------|----|------|----------|----------------------|---------------------------------------|--|------------|--|---------------------------|--|--------------------|--|
| mat'l code | | | | SEE NOTE | | tolerances unless otherwise specified | | CUSTOMER | | FCI | | www.fciconnect.com | |
| lfr | ecn no. | dr | date | linear | 0.X ± 0.3 | COPY | | projection | | title | | | |
| B | | | | | 0.XX ± 0.10 | | | ⊕ ↗ | | 12S + 4P | | | |
| | | | | angles | 0.XXX ± 0.050 | | | MM | | VERTICAL PRESS FIT RECEPT | | | |
| | | | | dr | 0° ± 2° | | | scale | | product family | | code | |
| | | | | enr | JULIA WANG 05/26/06 | | | 1:1 | | PwrBlade | | 213 | |
| | | | | chr | SALLY LUO 06/06/06 | | | | | size | | sheet | |
| | | | | appd | BEER FU 05/26/06 | | | | | A 51940-190 | | 2 of 4 | |
| | | | | | JOSEPH HSIA 05/26/06 | | | | | | | | |
| sheet index | revision sheet | | | | | | | | | | | | |

cage code 22556

Pro/E

PDM: Rev: B

STATUS: **Released**

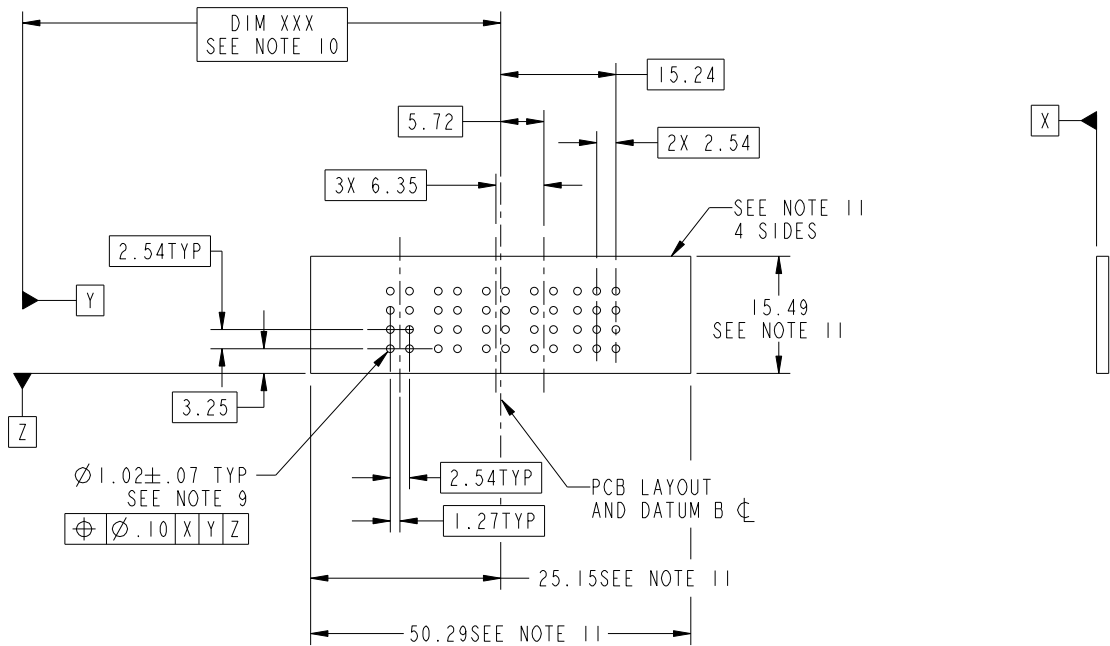
Printed: Dec 20, 2010

Tous droits strictement reserves. Reproduction ou communication a des tiers interdite sous quelque forme que ce soit sans autorisation ecrite du proprietaire. Propriete de c FCI. Droits de reproduction FCI.

All rights strictly reserved. Reproduction or issue to third parties in any form whatever is not permitted without written authority from the proprietor. Property of FCI. Copyright FCI.



PRODUCT NUMBER
51940-190--
NOTE: 3



CONFIDENTIAL

| | | | | | | | | | | | |
|-------------|---------|----------------|------|---------------------------------------|----------------------|----------|--|------------|--|----------------------------|--|
| mat'l code | | SEE NOTE | | tolerances unless otherwise specified | | CUSTOMER | | FCI | | www.fciconnect.com | |
| lir | ecn no. | dr | date | linear | 0.X ± 0.3 | COPY | | projection | | title | |
| B | | | | | 0.XX ± 0.10 | | | ⊕ ↗ | | 12S + 4P | |
| | | | | angles | 0.XXX ± 0.050 | | | | | VERTICAL PRESS FIT RECEIPT | |
| | | | | | 0° ± 2° | | | MM | | product family | |
| | | | | dr | JULIA WANG 05/26/06 | | | A | | PwrBlade | |
| | | | | enr | SALLY LUO 06/06/06 | | | size | | code | |
| | | | | chr | BEER FU 05/26/06 | | | dwg no | | 213 | |
| | | | | appd | JOSEPH HSIA 05/26/06 | | | 51940-190 | | sheet | |
| sheet index | | revision sheet | | | | scale | | 1:1 | | 3 of 4 | |

cage code 22526

Pro/E

PDM: Rev: B

STATUS: Released

Printed: Dec 20, 2010

Tous droits strictement réservés. Reproduction ou communication a des tiers interdite sous quelque forme que ce soit sans autorisation écrite du propriétaire. Propriété de c.FCI. Droits de reproduction FCI.

All rights strictly reserved. Reproduction or issue to third parties in any form whatever is not permitted without written authority from the proprietor. Property of FCI. Copyright FCI.



1 | 2

3

4

PRODUCT NUMBER

51940-190--
NOTE: 3

NOTES:

1. DIMENSIONS AND TOLERANCES ARE IN ACCORDANCE WITH ASME Y14.5M, 1994 UNLESS OTHERWISE SPECIFIED.

CONNECTOR NOTES:

- ② HOUSING MATERIAL: UL 94 V-0 GLASS FILLED HIGH-TEMP THERMOPLASTIC
POWER CONTACT MATERIAL: COPPER ALLOY
SIGNAL PIN MATERIAL: COPPER ALLOY
- 3. PLATING SPEC.
51940-190,51940-190LF PLATING SPEC. WAS SHOWN IN THE PRINT OF 10064183.
- ④ MANUFACTURER'S NAME, P/N, AND DATE CODE TO APPEAR ON THIS SURFACE.
- 5. PRODUCT SPECIFICATION GS-12-149.
APPLICATION SPECIFICATION BUS-20-067.
- 6. PACKAGED IN TRAYS.

PCB NOTES:

- 7. ALL HOLE DIAMETERS ARE FINISHED HOLE SIZE.
- ⑧ MOUNTING HOLES, WHERE APPLICABLE, ARE UNPLATED.
- ⑨ $\varnothing .0453 \pm .0010$ [1.151 \pm 0.025] DRILLED HOLES PLATED WITH .0003 [0.008] MIN SnPb OR Sn OVER .001 [0.03] TO .003 [0.08] Cu PLATING TO ACHIEVE $\varnothing .040 \pm .003$ [1.02 \pm .07] HOLE.
- ⑩ "DIM XXX" TO BE DETERMINED BY THE CUSTOMER.
- ⑪ CONNECTOR KEEP-OUT ZONE.

CONFIDENTIAL

| | | | | | | | | | | | |
|-------------|----------------|----|------|----------|-------------------|---------------------------------------|----------|----------|------------|------------------------------|--|
| mat'l code | | | | SEE NOTE | | tolerances unless otherwise specified | | CUSTOMER | | FCI www.fciconnect.com | |
| lfr | ecn no. | dr | date | linear | 0.X \pm 0.3 | | COPY | | projection | title | |
| B | | | | | 0.XX \pm 0.10 | | 12S + 4P | | | VERTICAL PRESS FIT RECEIPT | |
| | | | | | 0.XXX \pm 0.050 | | MM | | | product family PwrBlade code | |
| | | | | angles | 0° \pm 2° | | scale | | size | | |
| | | | | dr | JULIA WANG | 05/26/06 | 1:1 | | dwg no | | |
| | | | | enrg | SALLY LUO | 06/06/06 | A | | 51940-190 | | |
| | | | | chr | BEER FU | 05/26/06 | | | sheet | | |
| | | | | appd | JOSEPH HSIA | 05/26/06 | | | 4 of 4 | | |
| sheet index | revision sheet | | | | | | | | | | |

1 | 2

Pro/E

PDM: Rev: B

STAT: Released

Printed: Dec 20, 2010