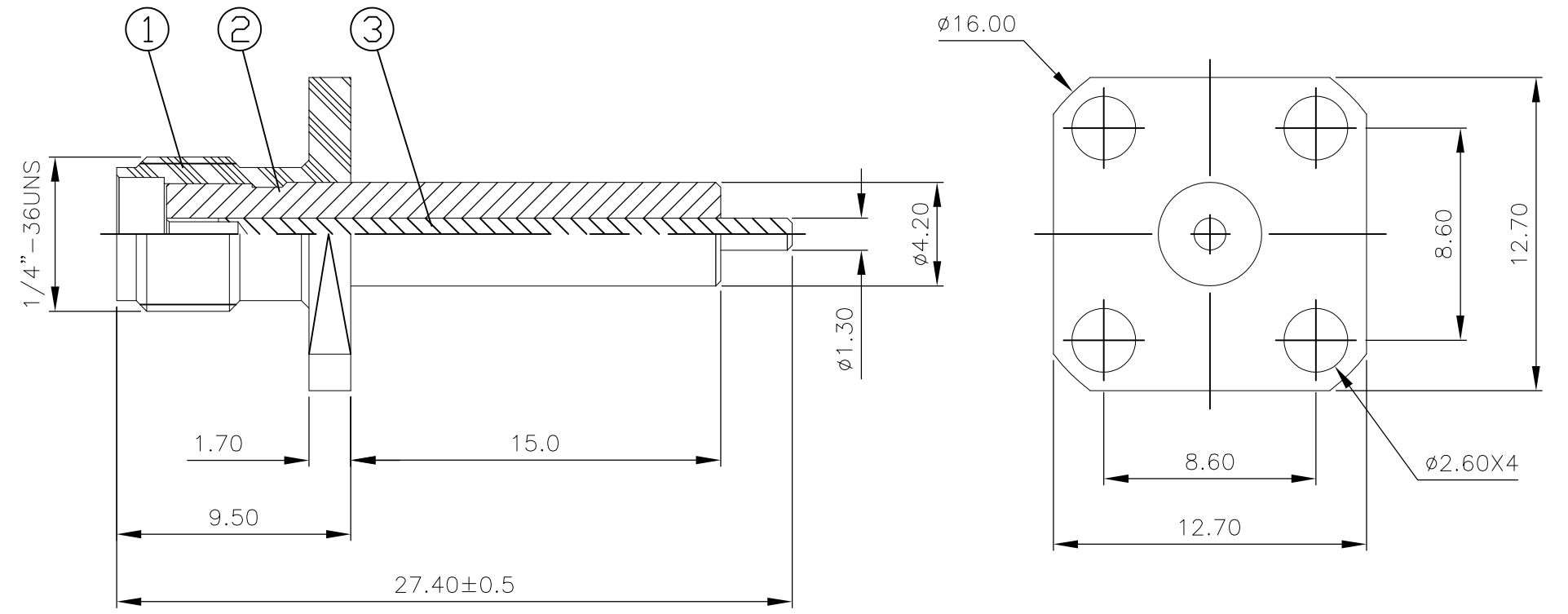


THIS DRAWING IS UNPUBLISHED. RELEASED FOR PUBLICATION APRIL , 2004.
 © COPYRIGHT 2004 By - ALL RIGHTS RESERVED.

| LOC | DIST | REVISIONS | | | | | |
|-----|------|-----------|-----|---------------------------|---------|-----|------|
| E | B | P | LTR | DESCRIPTION | DATE | DWN | APVD |
| | | A1 | | REVISED PER ECO-11-005033 | 01APR11 | RK | HMR |

- NOTES:
- ① SINGLE PACK IN ACCORDANCE WITH SPEC 107-3275
 - ② 100 TRAY PACK IN ACCORDANCE WITH SPEC 107-3275
 - ③ 0.08μm Au PLATING OVER 1.27μm Ni PLATING
 - ④ 0.08μm Au PLATING OVER 1.27μm Ni PLATING OVER 0.76μm Cu PLATING
 - ⑤ 0.76μm Au PLATING OVER 1.27μm Ni PLATING OVER 0.76μm Cu PLATING
 - ⑥ PASSIVATED
 - ⑦ WHITE BRONZE PLATING
 - 8 FOR TECHNICAL DATA REFER TO YOUR LOCAL TE CONNECTIVITY SALES OFFICE
 - 9 ALL DIMENSIONS ARE NOMINAL FOR REFERENCE ONLY UNLESS OTHERWISE STATED



| | | | | | | | | | | | |
|-------------------|------|------|------|------|------|------|------|------------------|---|---------------|------|
| 1 | 1 | 1 | 1 | 1 | 1 | 1 | 1 | BERYLLIUM COPPER | ⑤ | CENTER SOCKET | 3 |
| 1 | 1 | 1 | 1 | 1 | 1 | 1 | 1 | PTFE | | INSULATOR | 2 |
| 1 | 1 | - | - | - | - | - | - | BRASS | ⑦ | BODY | 1 |
| - | - | 1 | 1 | - | - | - | - | BRASS | ④ | BODY | 1 |
| - | - | - | - | 1 | 1 | - | - | STAINLESS STEEL | ⑥ | BODY | 1 |
| - | - | - | - | - | - | 1 | 1 | STAINLESS STEEL | ③ | BODY | 1 |
| 4--1 | 4--0 | 3--1 | 3--0 | 2--1 | 2--0 | 1--1 | 1--0 | MATERIAL | | DESCRIPTION | ITEM |
| ② | ① | ② | ① | ② | ① | ② | ① | | | | |
| QUANTITY PER ASSY | | | | | | | | PARTS LIST | | | |

| | | | | | | | |
|---|--|-----------------------------------|---|-----------------|--------------------|-------------------------|--------------------|
| THIS DRAWING IS A CONTROLLED DOCUMENT. | | DWN R.SMITH 06FEB04 | TE Connectivity | | | | |
| DIMENSIONS: mm | | CHK S.PARLOW 06FEB04 | | | | | |
| TOLERANCES UNLESS OTHERWISE SPECIFIED: | | APVD F.WHEELER-KING 06FEB04 | NAME SMA PANEL SOCKET LAUNCHER, 4 HOLE FLANGE, EXTENDED DIELECTRIC, NON-CAPTIVE | | | | |
| 0 PLC ± - 1 PLC ± - 2 PLC ± - 3 PLC ± - 4 PLC ± - ANGLES ± - | | PRODUCT SPEC - | APPLICATION SPEC - | | | | |
| MATERIAL SEE TABLE | | FINISH - | WEIGHT - | SIZE A3 | CAGE CODE 00779 | DRAWING NO C-1478968 | RESTRICTED TO - |
| CUSTOMER DRAWING | | | SCALE 1:1 | SHEET 1 OF 1 | REV A1 | | |