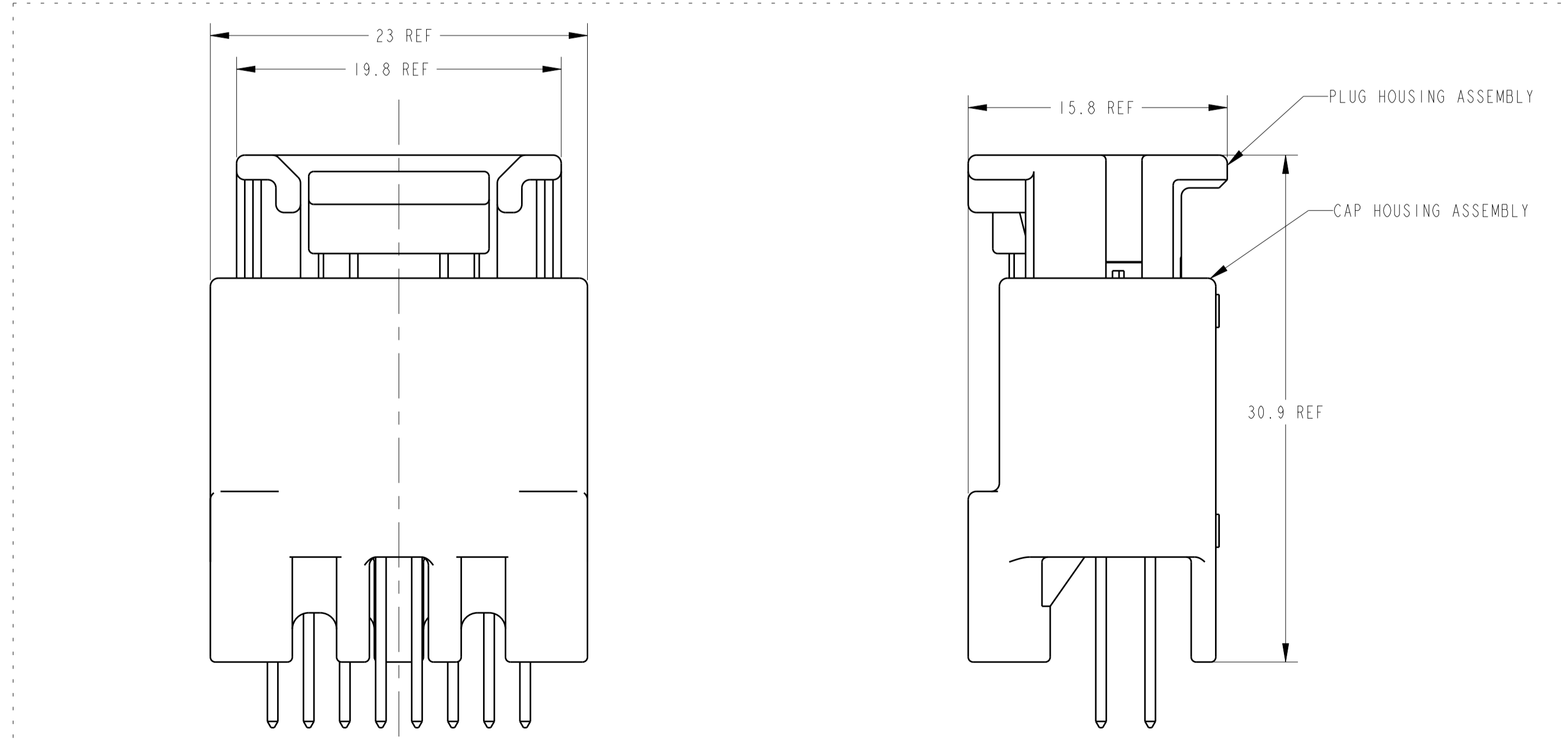
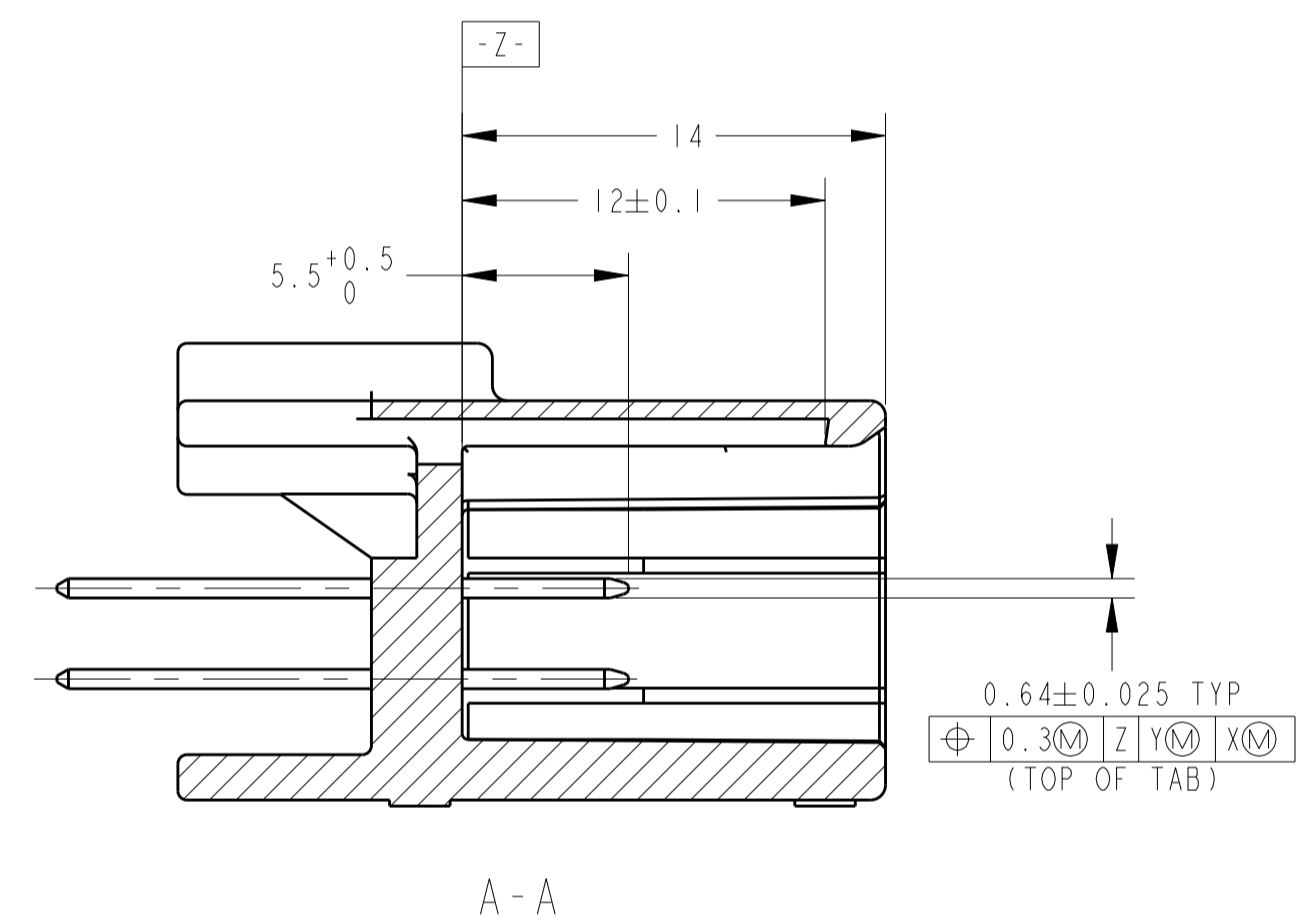
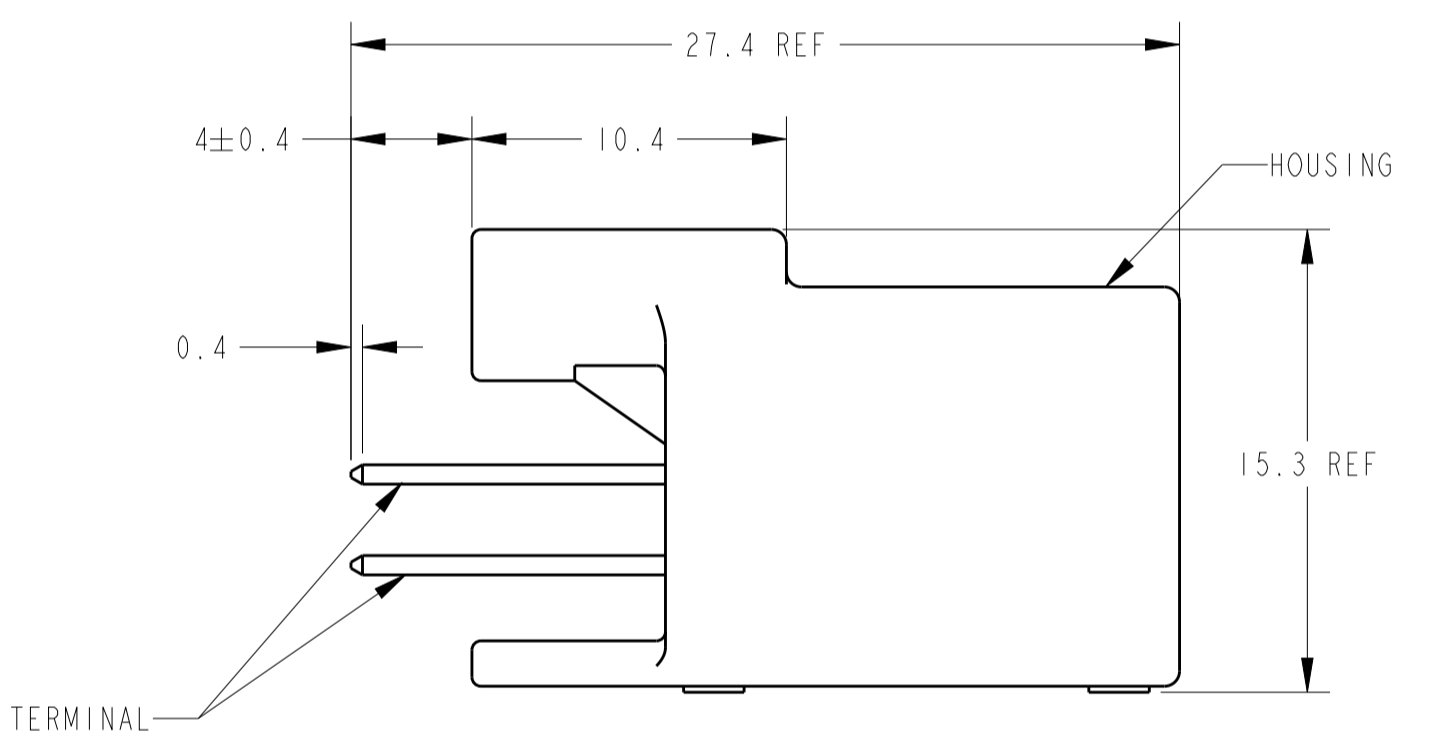
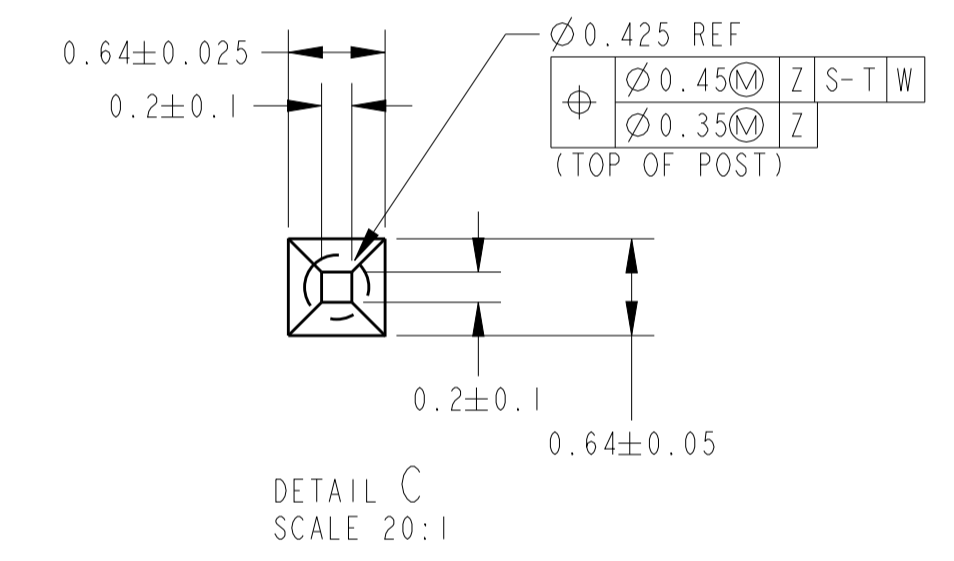
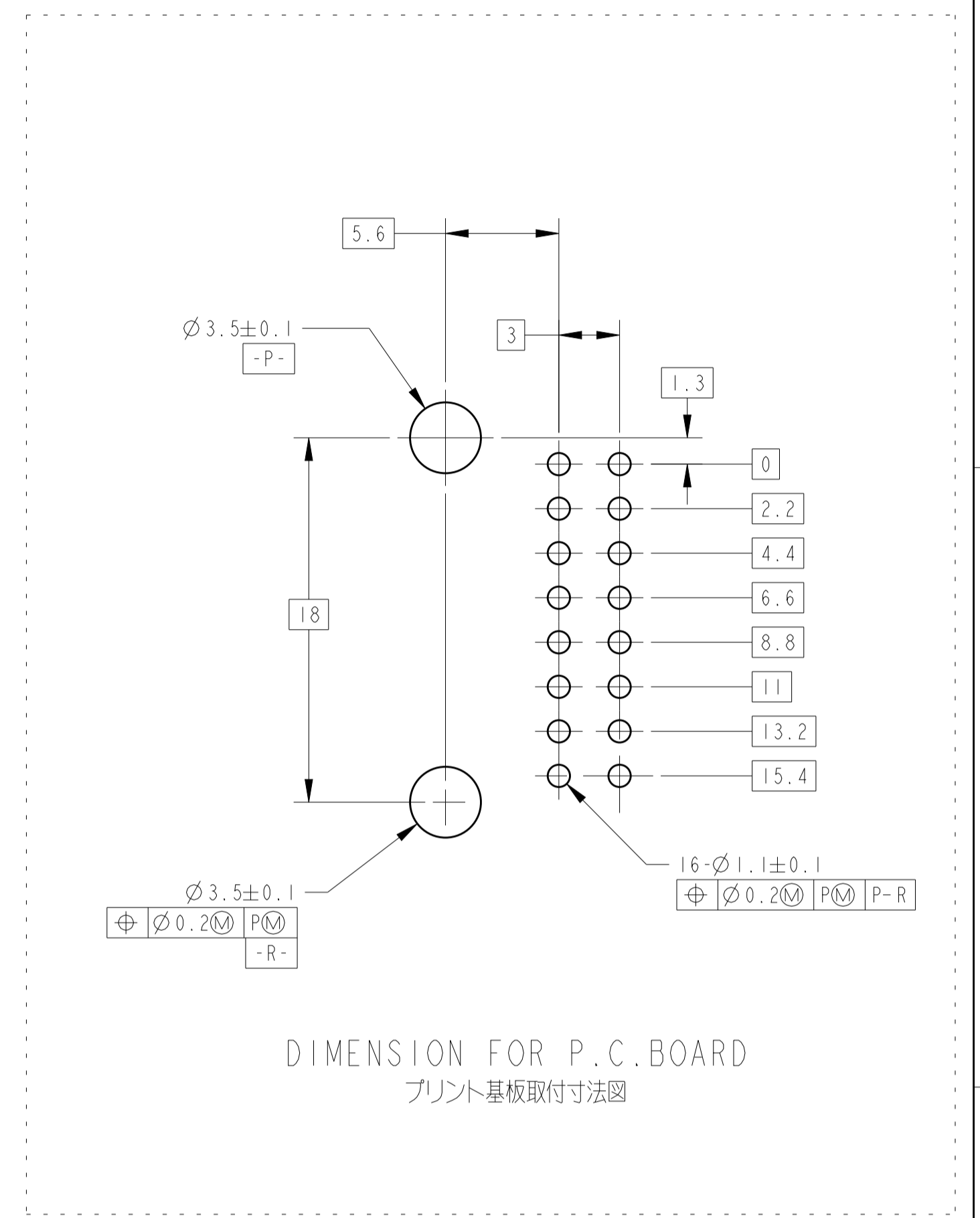
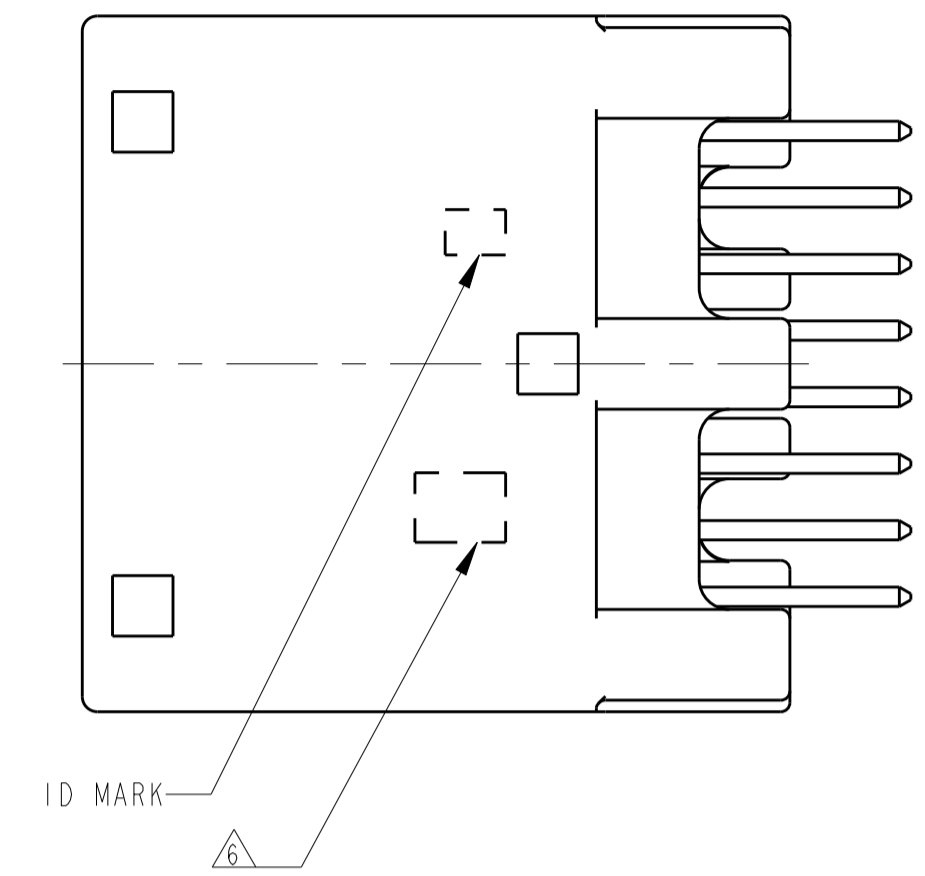
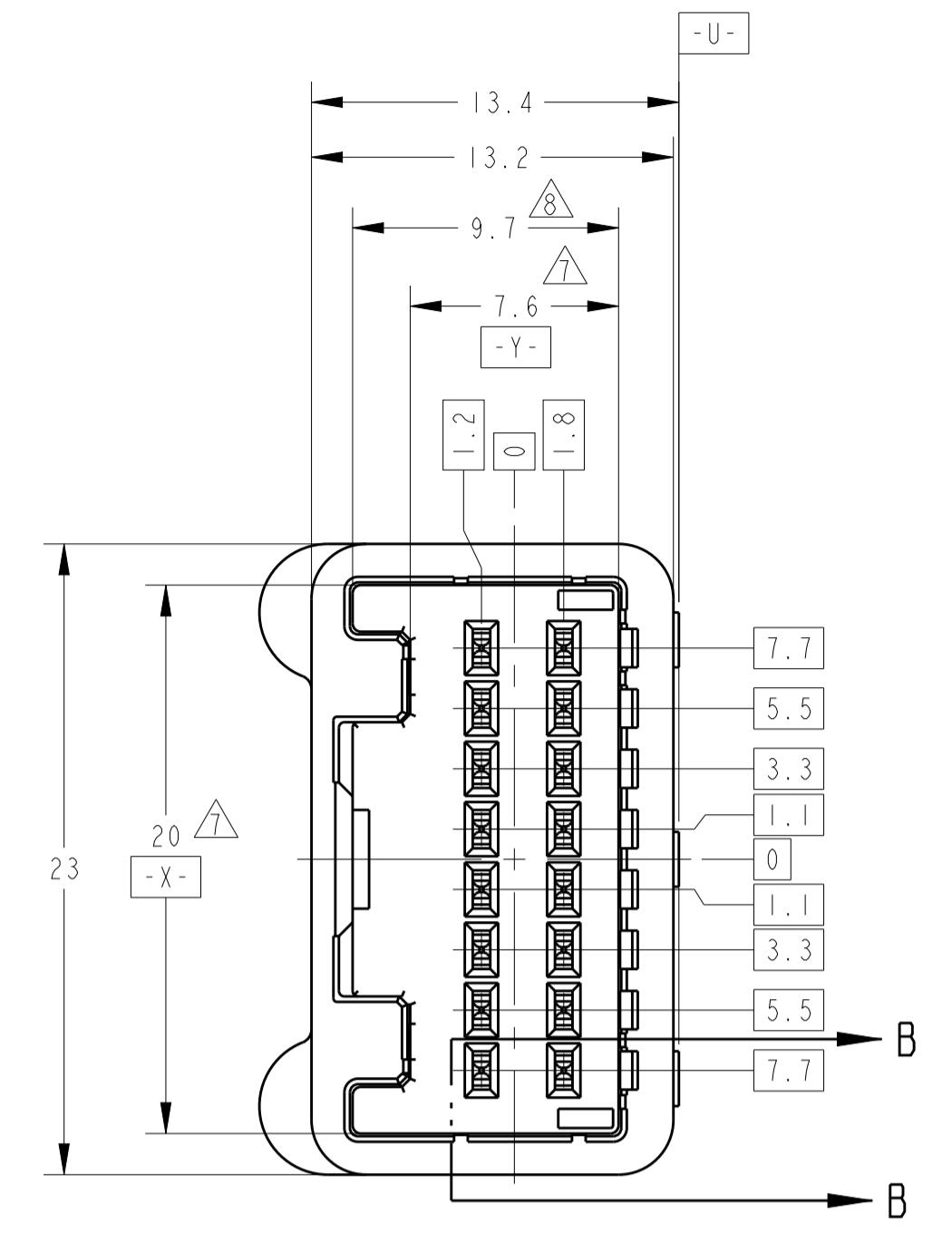
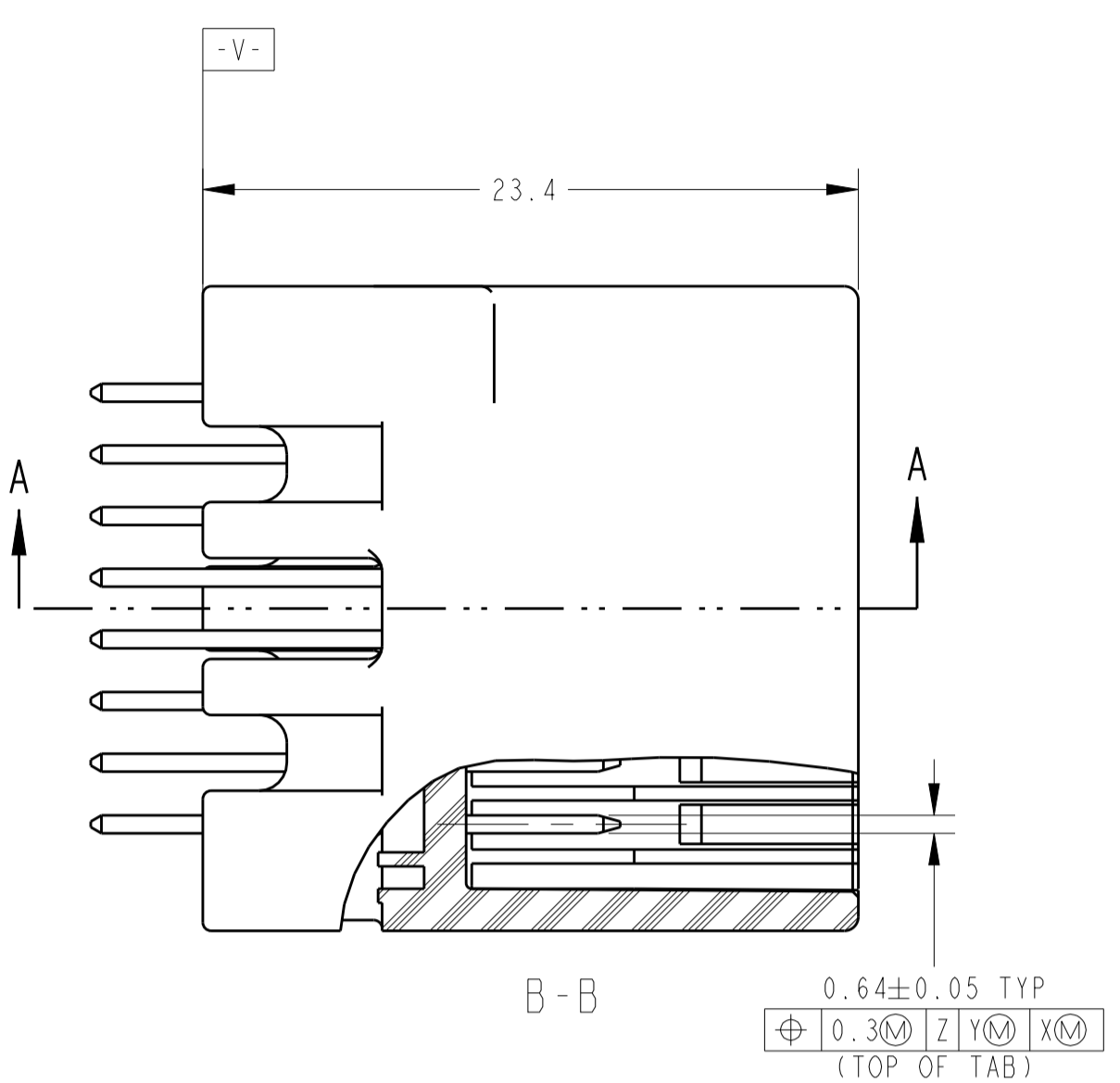
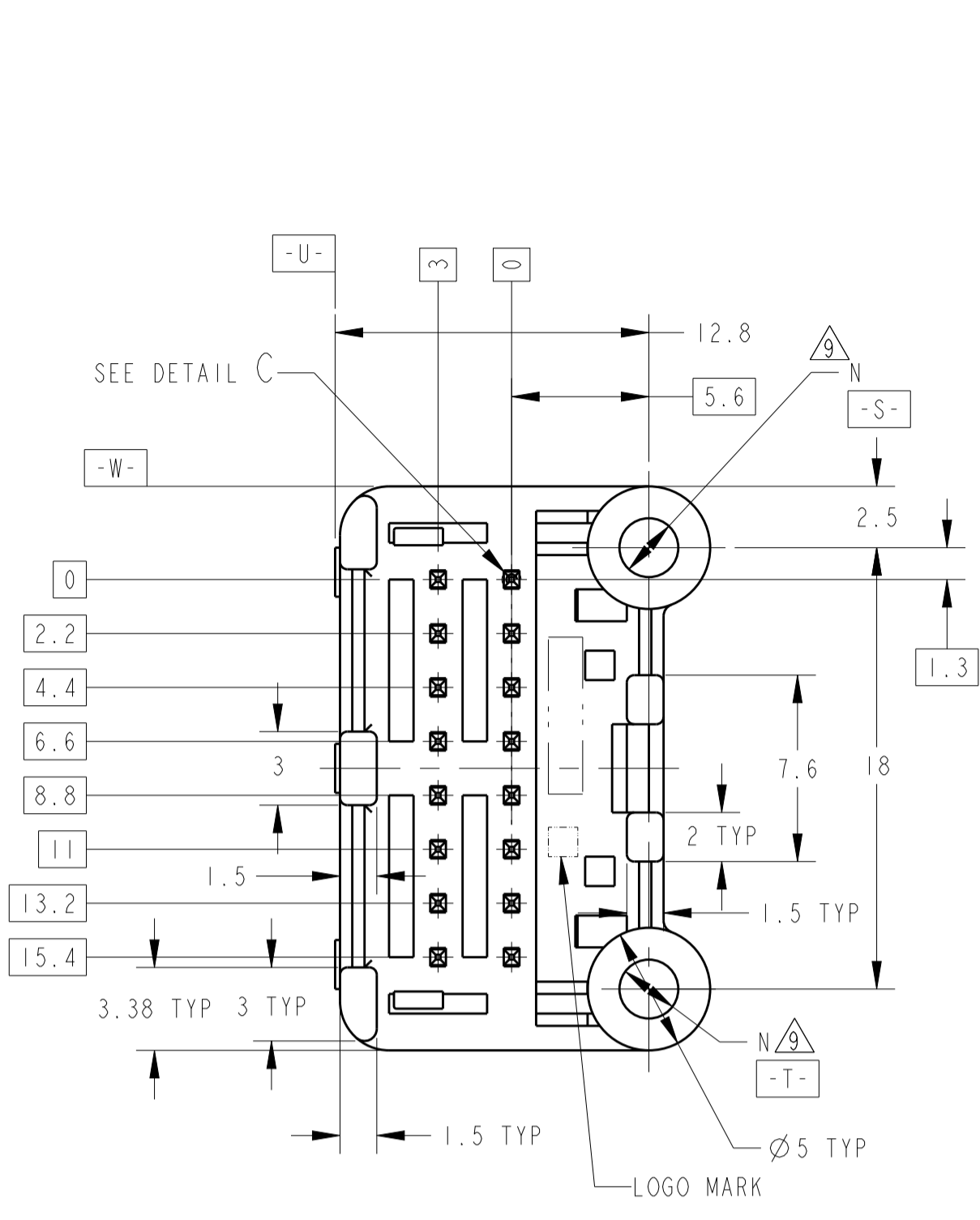


REVISONS		DATE	DWN	APVD
P	LTN	DESCRIPTION		
A		REVISED ECR-12-015145	28AUG12	YN YF
A1		REVISED ECR-15-010372	10JUL15	D1 RK



- MATING CONNECTOR PART NUMBER; SEE TABLE-1. TO BE MATED SMOOTHLY WITH THE PLUG HOUSING ASSEMBLY.
  - RECOMMENDED SCREW: PAN-HEADED, TYPE 2 TAPPING SCREW OF DIA 3mm X LENGTH 6mm REFER TO JIS B1115, B1122
  - FASTENING TORQUE FOR SCREW (REFERENCE): 0.392N·m MAX
  - INSTRUCTION SHEET NO: 411-5928
  - APPLIED TERMINAL: SEE TABLE-2.
- △ IDENTIFICATION MARK FOR THE CONTACT FINISH: SEE TABLE.
- △ MEASURED AT 6mm FROM -Z-
- △ MEASURED AT 2mm FROM -Z-
- △ SCREW HOLE DIMENSION: SEE TABLE.

- 嵌合相手ハウジング番号は、TABLE-1参照。プラグハウジングアセンブリと支障なく嵌合すること。
  - 推奨取付ねじ: JIS B1115, B1122 タッピングねじ ね径3mm、呼び径3、長さ6以下。
  - ねじ締め付トルク(参考): 0.392N·m 最大
  - 取扱説明書NO: 411-5928
  - 適用メス端子はTABLE-2参照
- △ コンタクト仕上識別記号: 表参照。
- △ -Z- 番から6mmの範囲で測定。
- △ -Z- 番から2mmの範囲で測定。
- △ ねじ寸法はTABLE参照

TABLE-1

POS. 極数	PLUG HOUSING PART No. プラグハウジング型番
16	1318386-1

TABLE-2

SIGNAL	TIN	TERMINAL No. 端子型番	APPLICABLE WIRE RANGE (FEMALE) 適用電線(メス)
025		1123343-1	CAVS/CAVUS 0.22~0.5mm <sup>2</sup> AVSS/AVSSH/AESSX 0.3~0.5mm <sup>2</sup>

MARKING	PACKING STYLE	CONTACT	HOUSING	PART NUMBER
△	分装	分装	ハウジング	製品型番
△	分装	分装	ハウジング	製品型番

THIS DRAWING IS A CONTROLLED DOCUMENT.

OWNER: R. KOMIYAMA 26NOV01  
CHK: H. YAMAGAMI 26NOV01  
APVD: N. SAI 26NOV01

PRODUCT SPEC: 108-5668  
APPLICATION SPEC: 114-5250

WEIGHT: 5.03 g

CUSTOMER DRAWING

STE TE Connectivity

NAME: 025 SERIES 16 POSITION (PCB V-TYPE) CAP HOUSING ASSEMBLY

SIZE: A1 CAGE CODE: 1565476 DRAWING NO: 1565476

SCALE: 4:1 SHEET: 1 OF 1 REV: A1