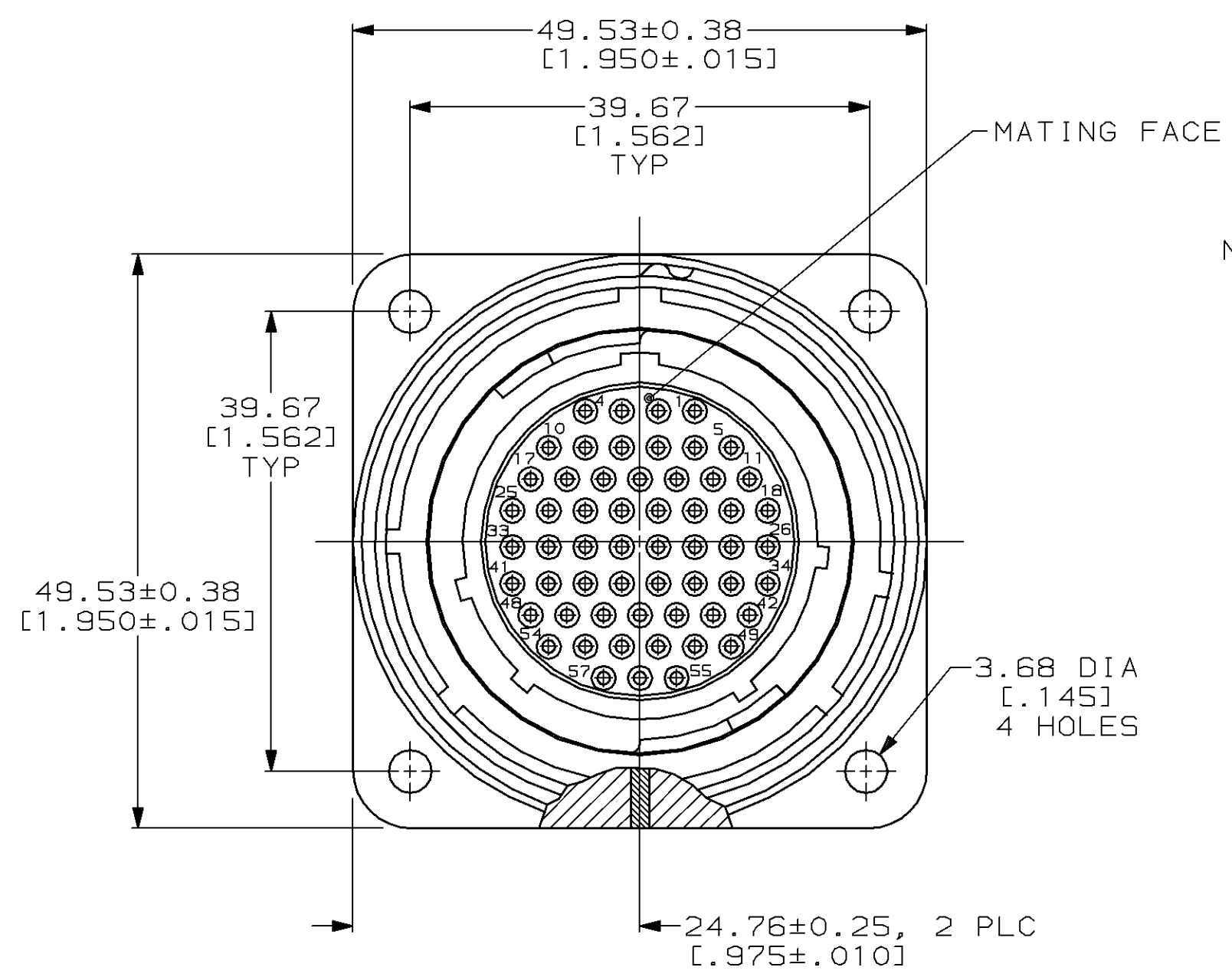
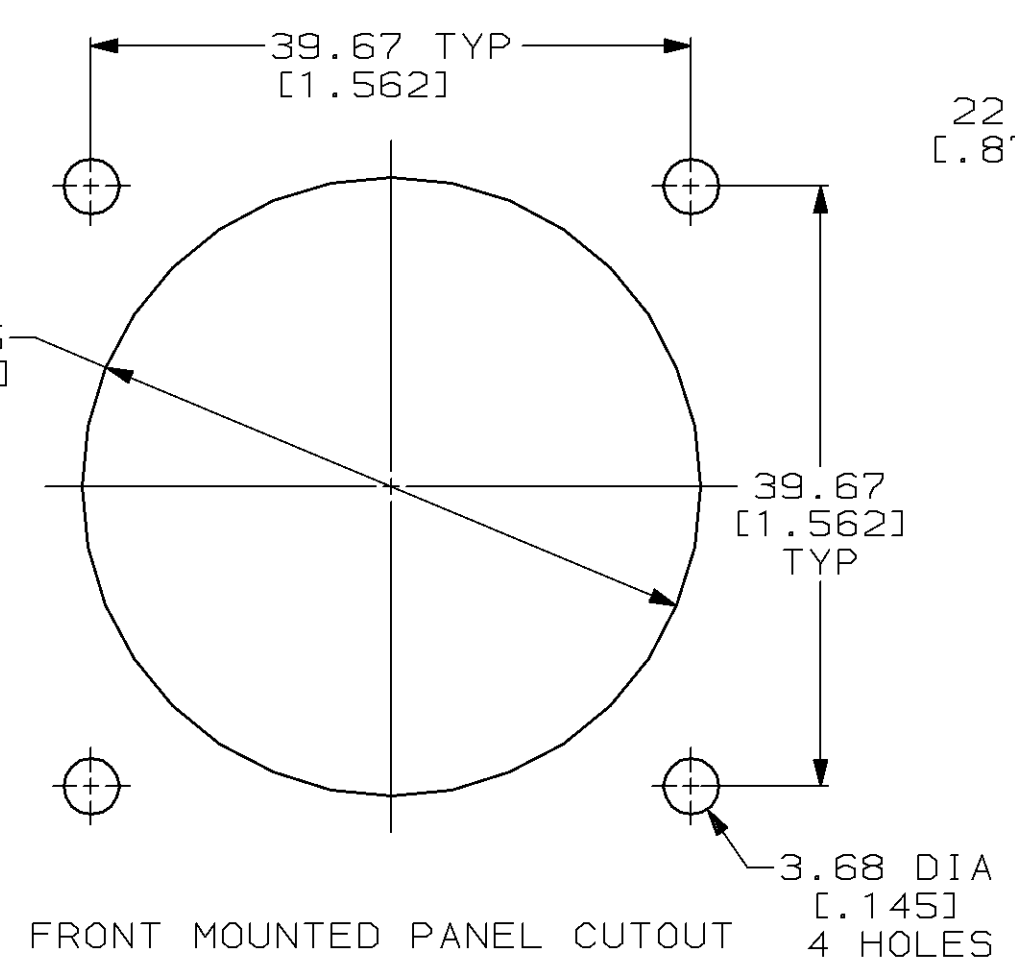
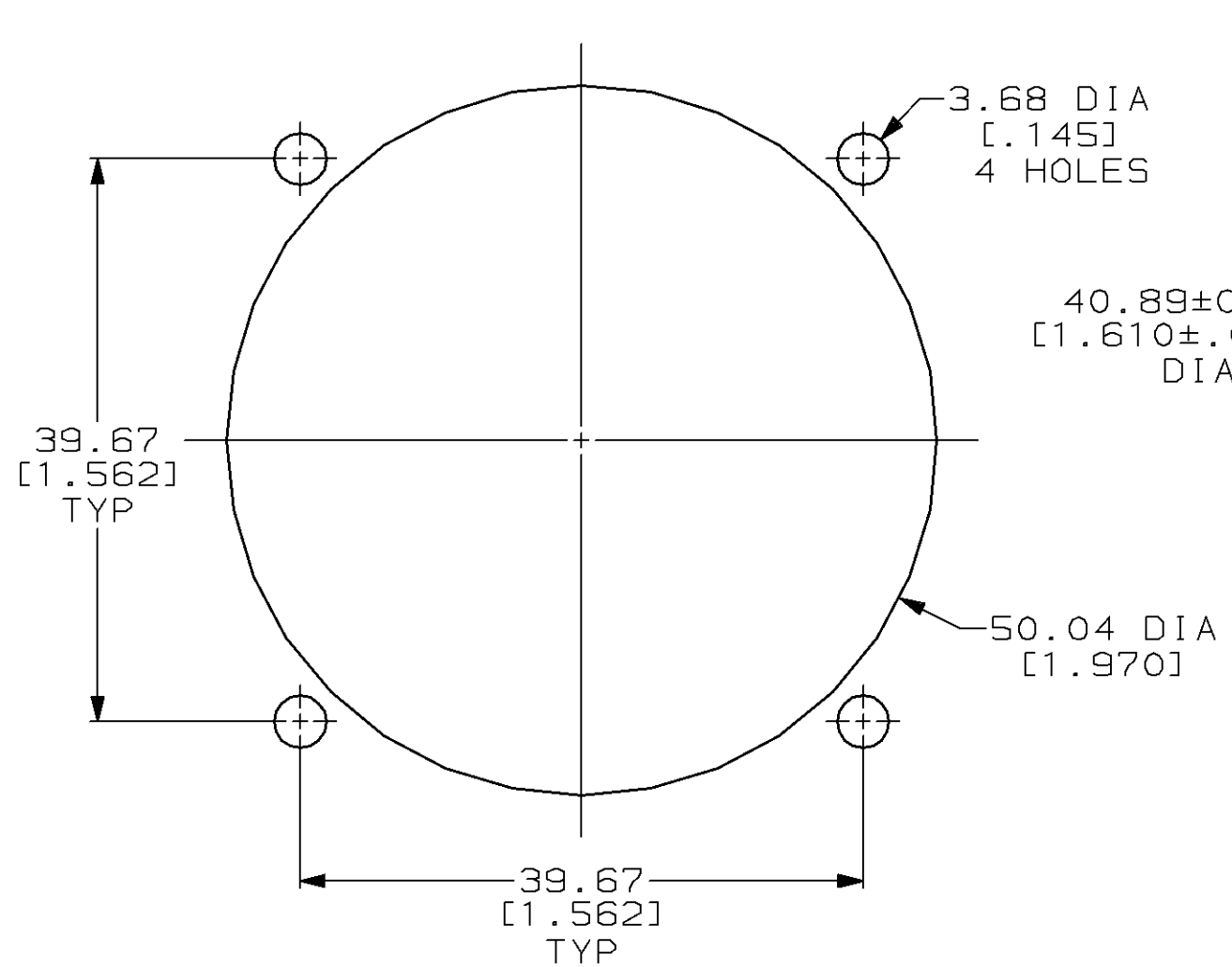
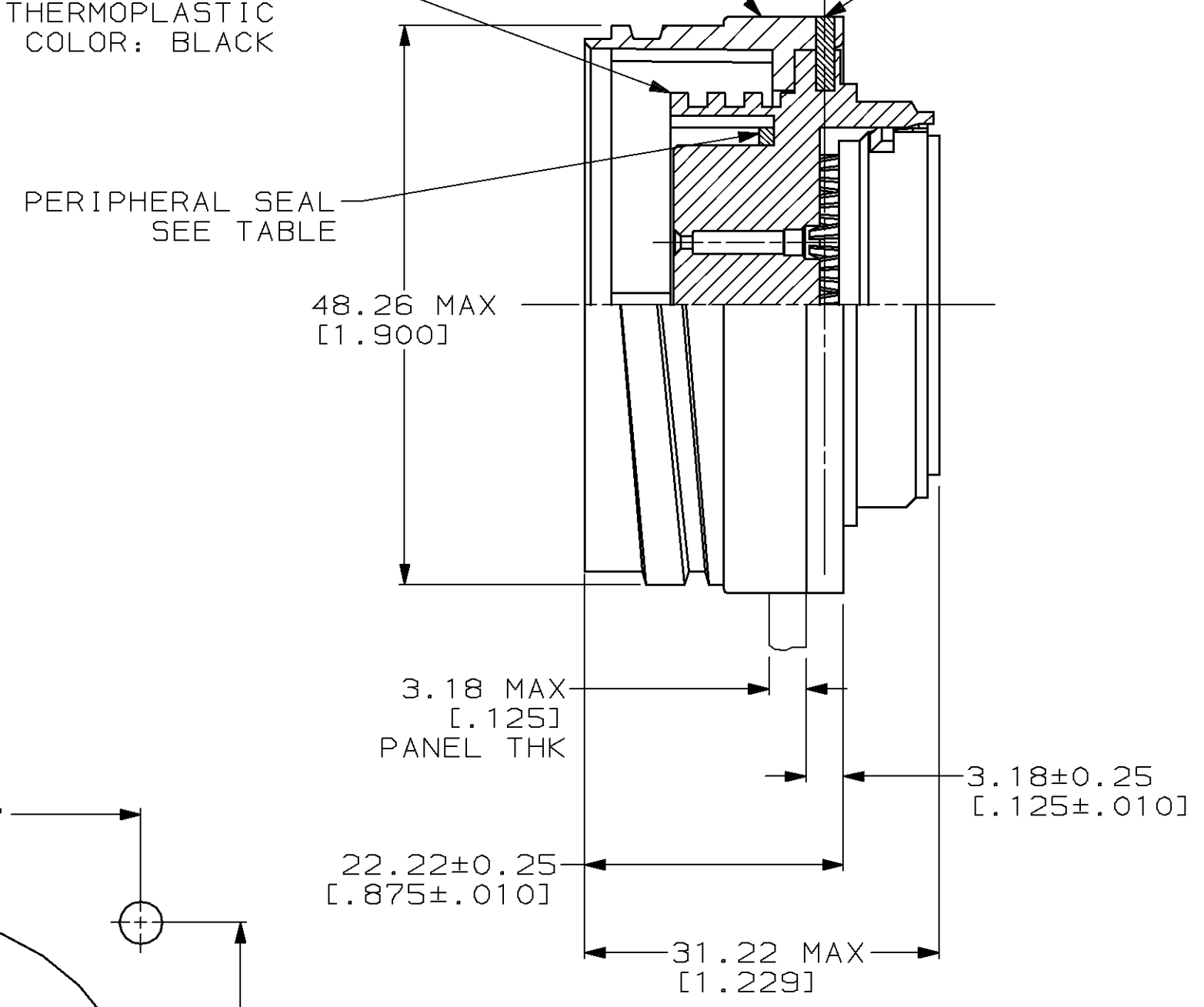


LOC	DIST	P	F	ZONE	LTR	DESCRIPTION	DATE	APPD
BD	35				G	REDRAWN W/O CHANGE PER EC 0020-774-94	09/04/94	AF
					H	OBS -2 PER EC 0020-0136-95	17 JUL 95	AF



METAL SHELL RECEPTACLE MATERIAL: ZINC ALLOY FINISH: NICKEL PLATED PER QQ-N-290
 RECEPTACLE, REV SEX ARRANGEMENT 23-57 MATERIAL: THERMOPLASTIC COLOR: BLACK
 GROOVED PIN, 2 PLC MATERIAL: STEEL ALLOY FINISH: NICKEL PLATED PER QQ-N-290



OBSOLETE	YES	208475-2
	NO	208475-1
PERIPHERAL SEAL	PART NUMBER	

- RECEPTACLE MATES WITH AMP PLUG 208474-1.
- AMP PART NUMBER AND DATE CODE TO BE LOCATED ON EDGE OF FLANGE.

DO NOT SCALE PRINT. UNLESS SPECIFIED DIMENSIONS IN mm [INCHES] TOLERANCES ON: 2 PLC DEC ±0.13 [.005] 3 PLC DEC ± - ANGLES ± -	DR 09-04-94 D.HARDY	AMP Incorporated Harrisburg, PA 17105-3608	
	CHK 09-07-94 R.STONE		
SEE CALL OUT	APPD 09-30-94 A.FRANTUM	RECEPTACLE ASSEMBLY, 28-57, REVERSE SEX, CMC	
FINISH SEE CALL OUT	APPD 09-30-94 A.FRANTUM	SIZE	CAGE CODE
	PRODUCT SPEC	③	00779
	APPLICATION SPEC	SCALE	DRAWING NO
		2:1	③-208475
	WEIGHT -	SHEET 1 OF 1	

THIS DRAWING IS A CONTROLLED DOCUMENT FOR AMP INCORPORATED. IT IS SUBJECT TO CHANGE AND THE CONTROLLING ENGINEERING ORGANIZATION SHOULD BE CONTACTED FOR THE LATEST REVISION.