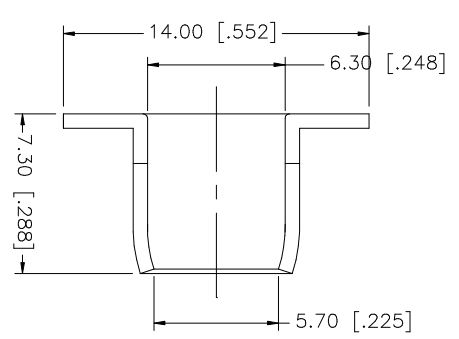
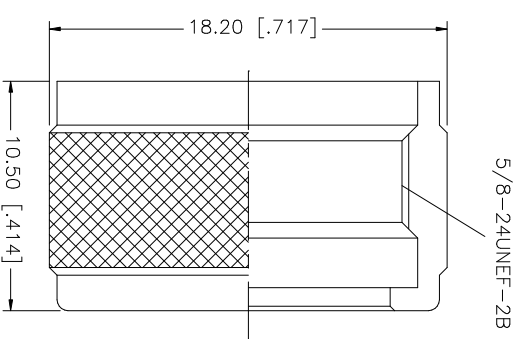
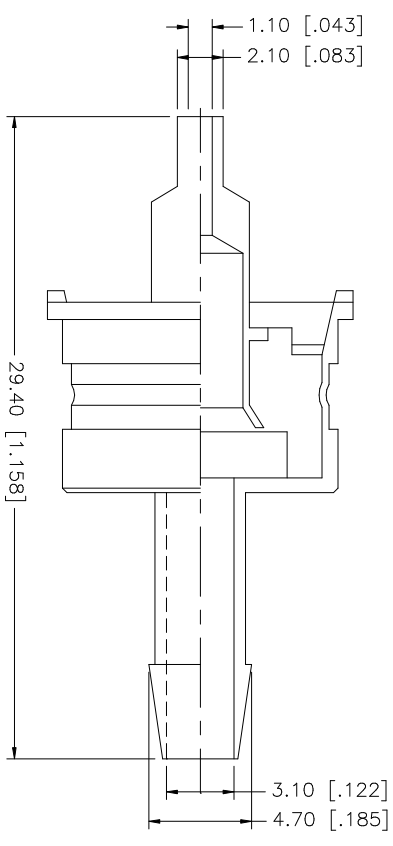
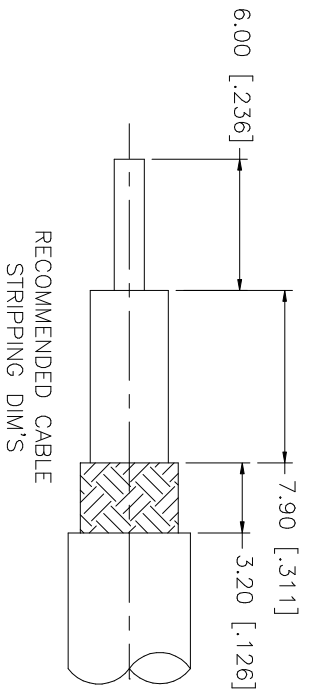


REV.	DATE	DESCRIPTION
NC	03/06/03	INITIAL RELEASE



NO.	DESCRIPTION	MATERIAL	FINISH	QTY	UNLESS OTHERWISE SPECIFIED DIMENSIONS ARE IN MILLIMETERS. DIMENSIONS IN [] ARE IN INCHES AND FOR CUSTOMER REFERENCE ONLY. TOLERANCES FOR MILLIMETERS ARE:	UNLESS OTHERWISE SPECIFIED DIMENSIONS ARE IN INCHES. DIMENSIONS IN [] ARE IN MILLIMETERS. DIMENSIONS IN [] ARE IN INCHES AND FOR CUSTOMER REFERENCE ONLY. TOLERANCES FOR MILLIMETERS ARE:	UNLESS OTHERWISE SPECIFIED DIMENSIONS ARE IN MILLIMETERS. DIMENSIONS IN [] ARE IN INCHES AND FOR CUSTOMER REFERENCE ONLY. TOLERANCES FOR MILLIMETERS ARE:	UNLESS OTHERWISE SPECIFIED DIMENSIONS ARE IN MILLIMETERS. DIMENSIONS IN [] ARE IN INCHES AND FOR CUSTOMER REFERENCE ONLY. TOLERANCES FOR MILLIMETERS ARE:	UNLESS OTHERWISE SPECIFIED DIMENSIONS ARE IN MILLIMETERS. DIMENSIONS IN [] ARE IN INCHES AND FOR CUSTOMER REFERENCE ONLY. TOLERANCES FOR MILLIMETERS ARE:
8					0.5 - 8mm ± 0.20mm	0.020 - .315 = ± 0.007"	DO NOT SCALE DRAWING		
7					8 - 30mm ± 0.40mm	.315 - 1.180 = ± 0.015"			
6					30 - 120mm ± 0.50mm	1.180 - 4.724 = ± 0.020"			
5									
4	FERRULE	BRASS	NICKEL	1					
3	CONTACT PIN	BRASS	SILVER	1					
2	INSULATOR	PHENOLIC	YELLOW	1					
1	SHELL/BODY	BRASS	NICKEL	1					
	DESCRIPTION	MATERIAL	FINISH	QTY					

Amphenol Connex

UHF FCP PLUG
(FOR RG-58/U, 141/U CABLE)

182103

APPROVALS	DATE
DRAWN G.R.S.	03/06/03
CHECKED	
ISSUED	
SHEET 1 OF 1	

CAD FILE C:/182/182103.DWG	DWG NO. 182103.DWG	REV. NC	SIZE A	SCALE NA
----------------------------	--------------------	---------	--------	----------