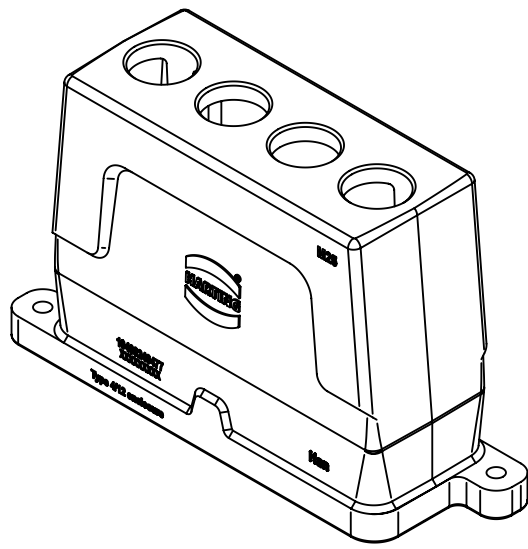
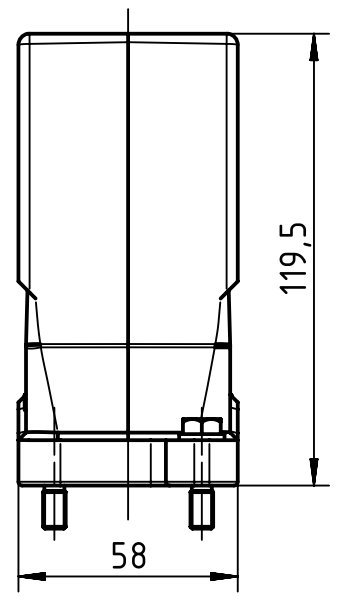
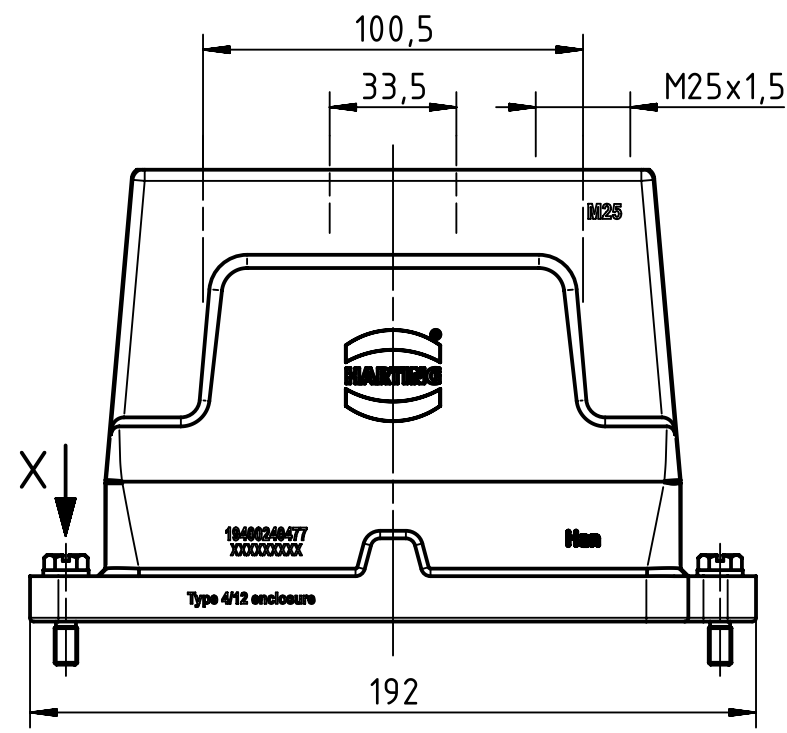
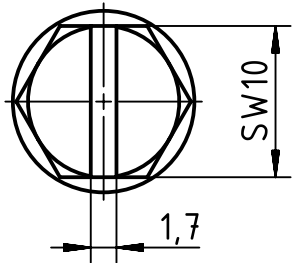


X (2:1)



	All Dimensions in mm Original Size DIN A4		Scale 1:2	Free size tol.		Ref.
	All rights reserved Department EL PD - DE		Created by QUADE	Inspected by BERGHORN	Standardisation TIEMANNA	Date 2016-05-18
HARTING Electric GmbH & Co. KG D-32339 Espelkamp			Title Han 24HPR-gg4-SV-M25			Doc-Key / ECM-Nr. 100197618/UGD/006/C 500000103919
			Type TB	Number 19 40 024 0477		Rev. C Page 1/1