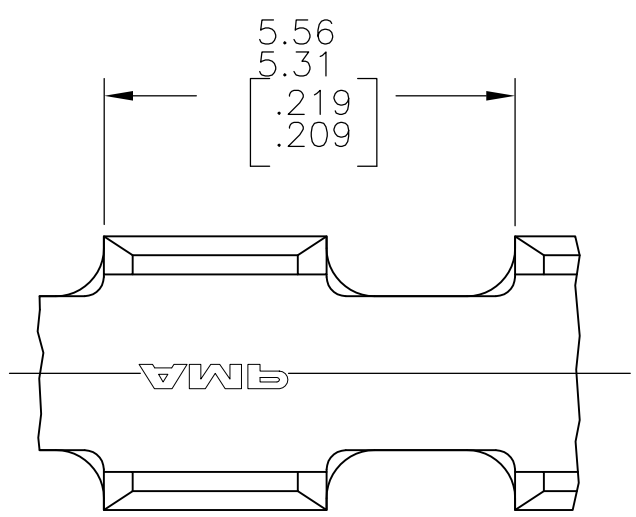
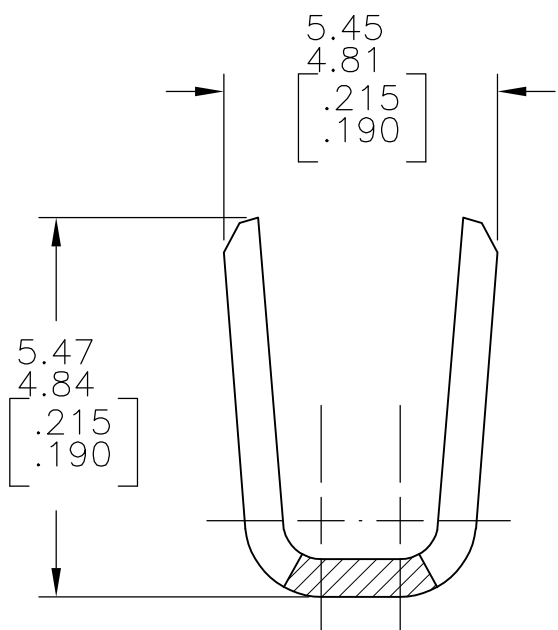
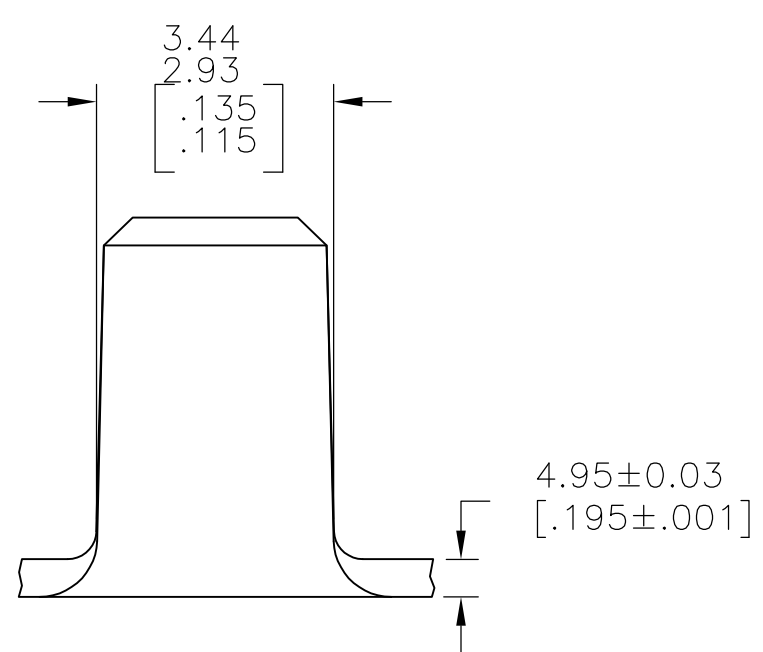


THIS DRAWING IS UNPUBLISHED. RELEASED FOR PUBLICATION  
 © COPYRIGHT - By - ALL RIGHTS RESERVED.

LOC	DIST	REVISIONS					
AF	50	P	LTR	DESCRIPTION	DATE	DWN	APVD
			G1	REVISED PER ECR-11-006644	06APR11	HMR	GJ



- 1 PRODUCT PROVIDED IN CONTINUOUS (BREAK FREE) STRIP FORM ON REELS.
- 2 WIRE RANGE FOR NEW APPLICATIONS: 3.04-4.05mm<sup>2</sup>[6000-8000 CMA] (WIRE RANGE APPROVED FOR APPLICATIONS IMPLEMENTED PRIOR TO 2005: 3200-6700 CMA).
- 3 CRIMP WIDTH: 3.94[.155] F TYPE. CRIMP HEIGHT IN INCHES (+/- .002)=(TOTAL CMA OF WIRES+14750)/250000.



2	TIN	BRASS	485020-2
	TIN	STEEL	485020-1
WIRE SIZE CMA	FINISH	MATERIAL	PART NO.

THIS DRAWING IS A CONTROLLED DOCUMENT.		DWN	14NOV2005	<b>STE</b> TE Connectivity			
		M.S. FEHER	14NOV2005				
DIMENSIONS: mm [INCHES]		CHK	14NOV2005	NAME			
		G.D. PORTA	14NOV2005				
TOLERANCES UNLESS OTHERWISE SPECIFIED:		APVD	14NOV2005	SPLICE			
		G.D. PORTA					
0 PLC ± -		PRODUCT SPEC		SIZE			
1 PLC ± -		-					
2 PLC ± 0.25[.010]		APPLICATION SPEC		CAGE CODE	DRAWING NO		RESTRICTED TO
3 PLC ± -		114-2088		A3	00779	C-485020	-
4 PLC ± -		WEIGHT		SCALE		SHEET	REV
ANGLES ± 1°		-		10:1		1 OF 1	G1
MATERIAL	FINISH	CUSTOMER DRAWING					
SEE TABLE	SEE TABLE						