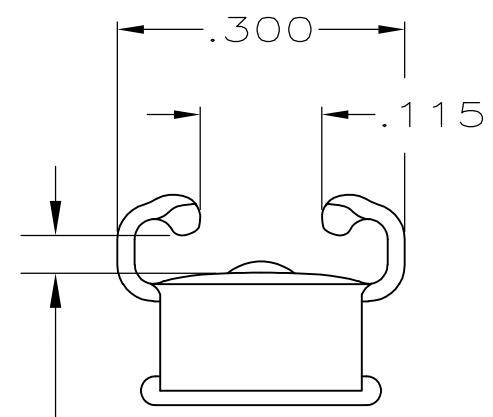
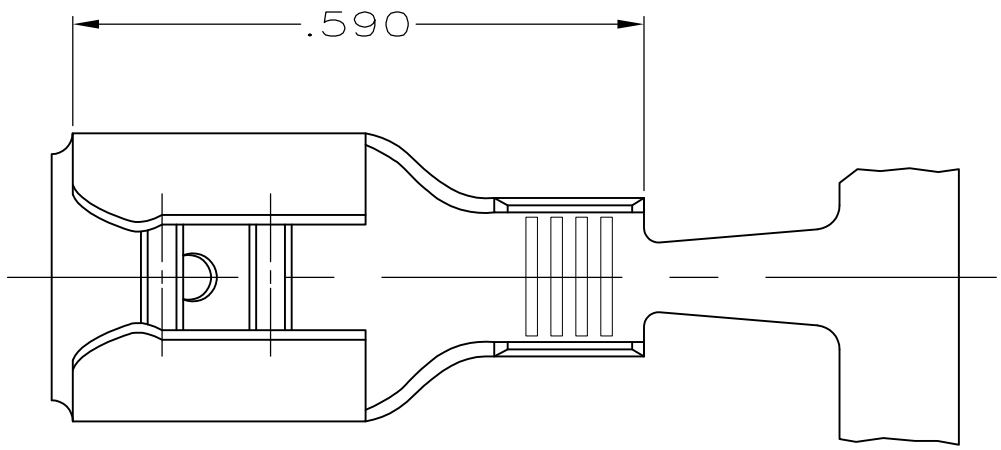


THIS DRAWING IS UNPUBLISHED. RELEASED FOR PUBLICATION
 © COPYRIGHT - By - ALL RIGHTS RESERVED.

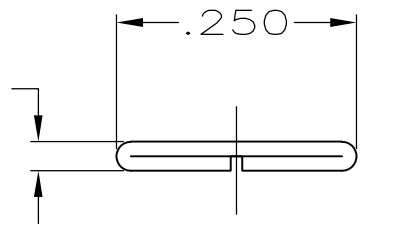
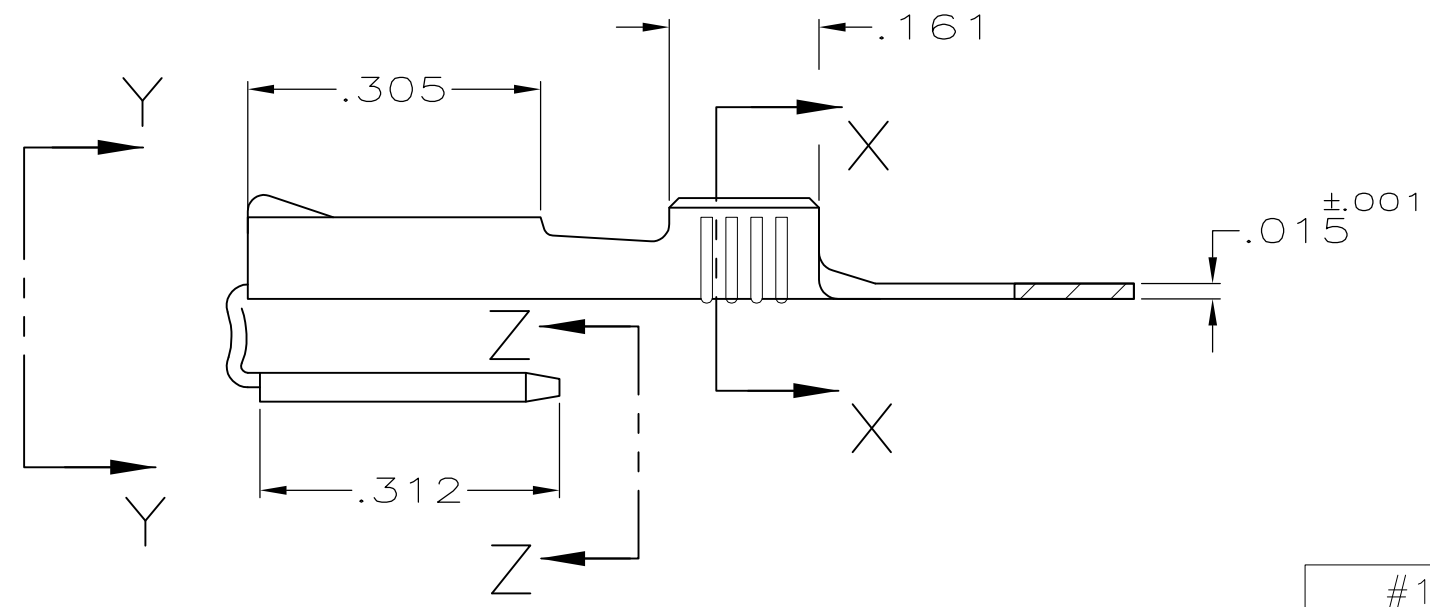
LOC	DIST	REVISIONS					
AF	50	P	LTR	DESCRIPTION	DATE	DWN	APVD
			F	REVISED PER ECR-12-013459	28NOV2012	KH	PD

1 CONTINUOUS STRIP ON REELS

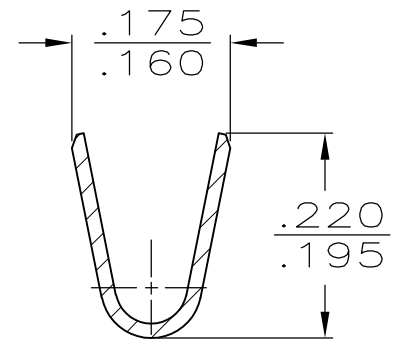


FITS .250 SERIES FASTON TABS

VIEW Y-Y



VIEW Z-Z



SECTION X-X

#14-#10 AWG - 9600 CMA MAX	.032	62068-1
WIRE SIZE	MATING TAB THK ±.001	PART NO.

THIS DRAWING IS A CONTROLLED DOCUMENT.		DWN	JR RUTH	4/11/91	TE Connectivity RECEPTACLE, PIGGYBACK, FASTON, .250 SERIES
DIMENSIONS: INCHES		CHK	MS FEHER	4/11/91	
TOLERANCES UNLESS OTHERWISE SPECIFIED:		APVD	C MEYERS	4/11/91	
0 PLC ± - 1 PLC ± - 2 PLC ± - 3 PLC ± .015 4 PLC ± - ANGLES ± -		PRODUCT SPEC		NAME	
MATERIAL	BRASS	FINISH	PRE-TIN	WEIGHT	-
CUSTOMER DRAWING				SIZE	A3
				CAGE CODE	00779
				DRAWING NO	C-62068
				RESTRICTED TO	-
				SCALE	5:1
				SHEET	1 OF 1
				REV	F