

Customer Information Sheet

DRAWING No.: S8101-46R

SHEET 2 OF 2

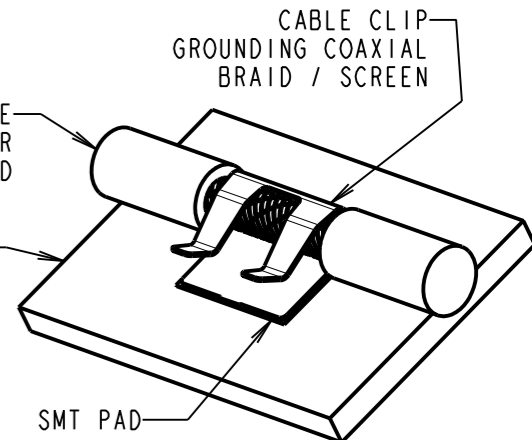
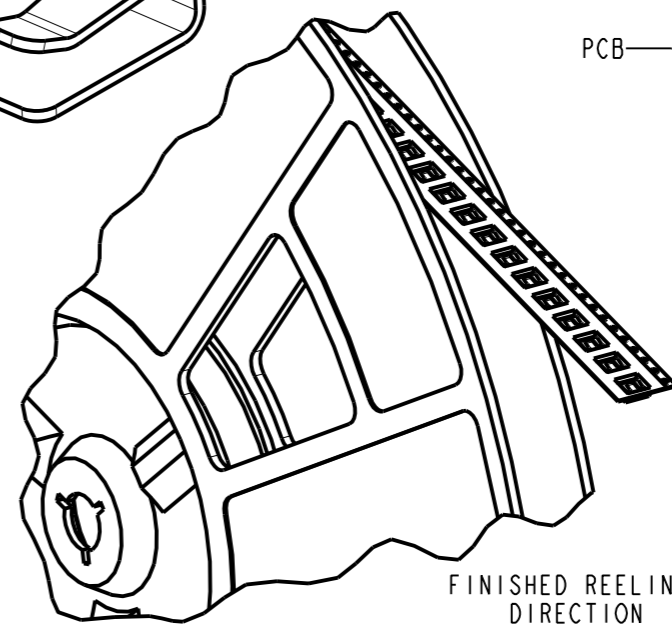
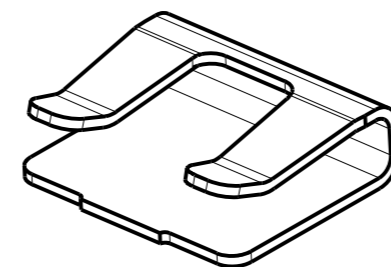
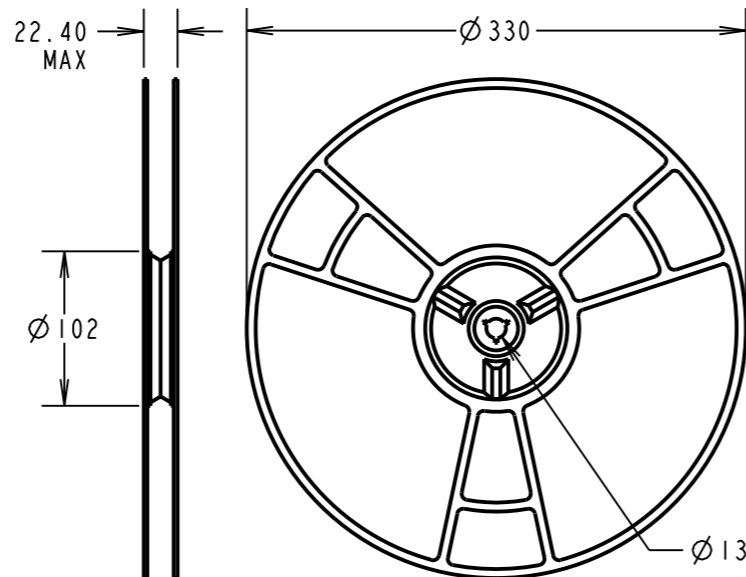
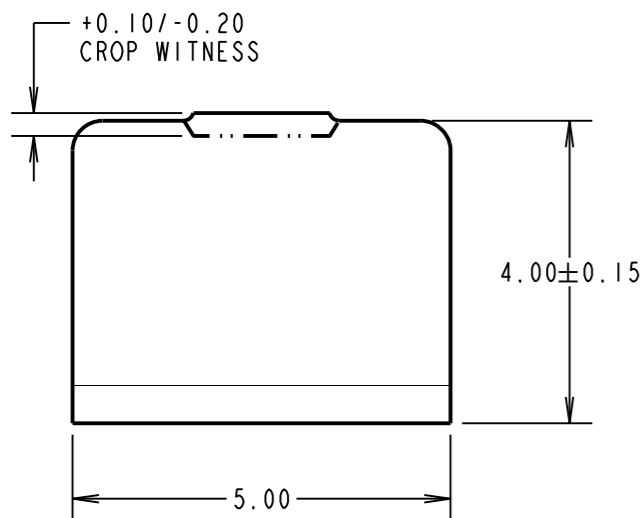
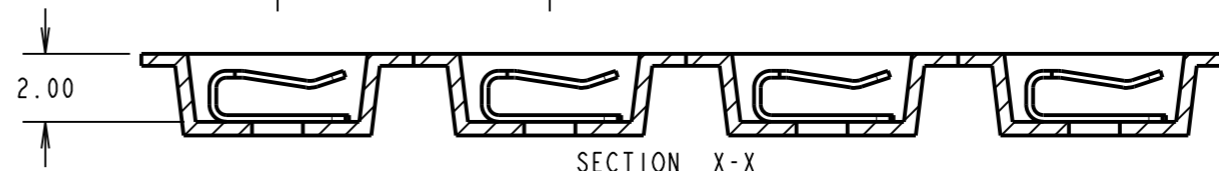
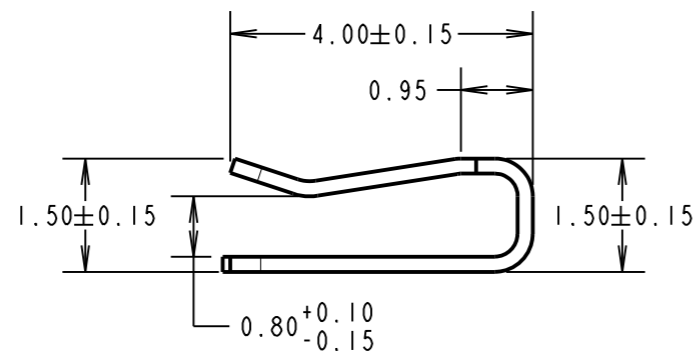
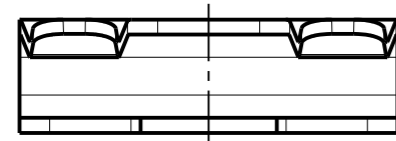
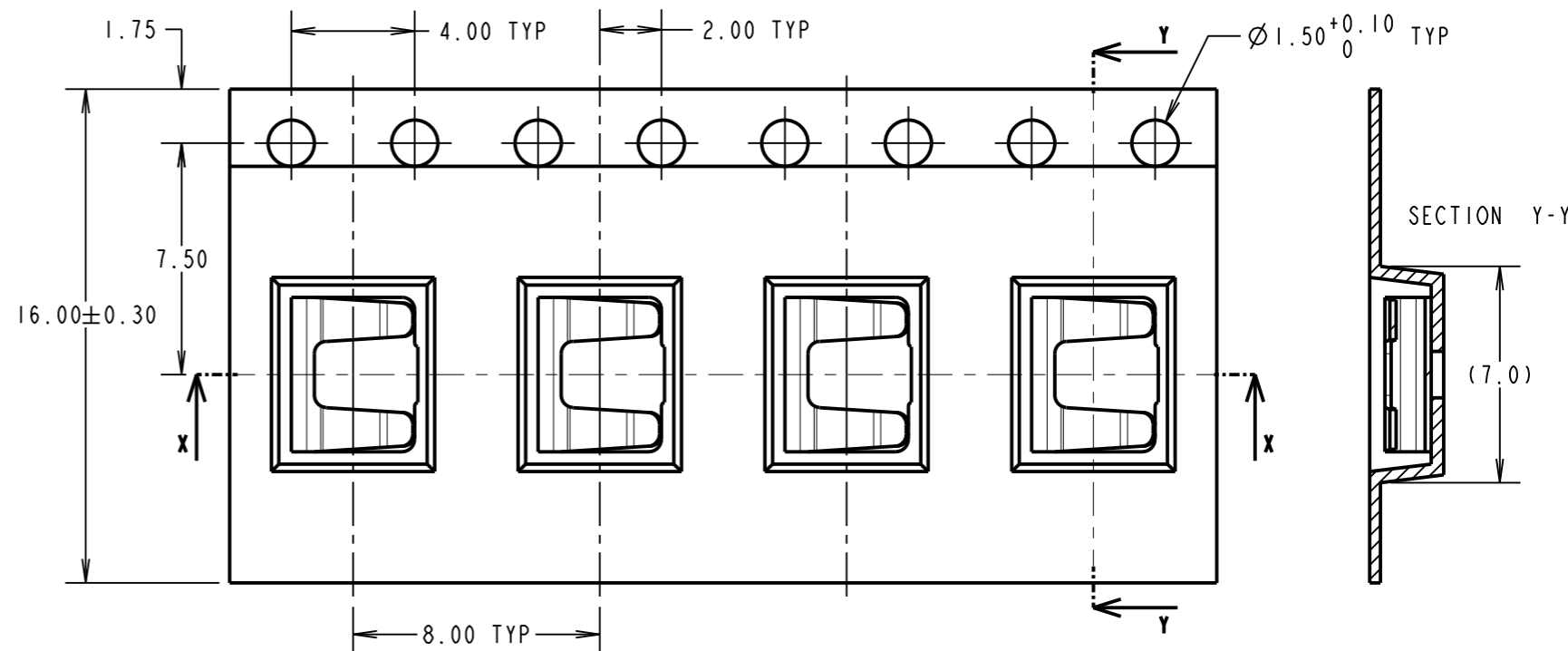
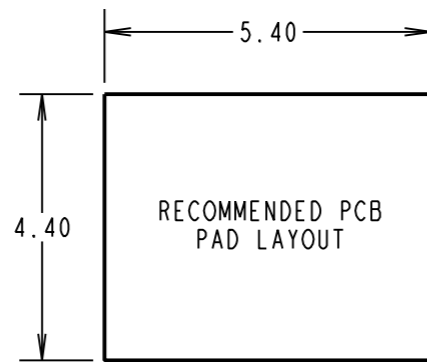
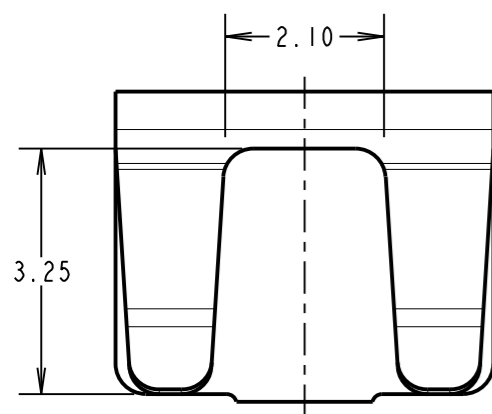
IF IN DOUBT - ASK

(C)

NOT TO SCALE

THIRD ANGLE PROJECTION

ALL DIMENSIONS IN mm



COMPONENT SPECIFICATION:
 MATERIAL: PHOSPHOR BRONZE
 FINISH: RoHS TIN OVER NICKEL
 CAPACITY MAX: 2 x Ø1.0mm WIRES
 COAX USAGE:
 SUITABLE FOR USE AS A COAXIAL BRAID/SCREEN
 GROUNDING CLIP WITH RG178, RG179 AND RG316 TYPE CABLE.

NOTES:
 1. QUANTITY OF COMPONENTS PER REEL = 3000.
 2. THIS PRODUCT IS TAPED AND REELED IN ACCORDANCE WITH EIA-481 (ELECTRONICS INDUSTRIES ASSOCIATION).

SF	4	23.06.11	11327
NAME	ISS.	DATE	C/NOTE
APPROVED:		S.FLOWER	
CHECKED:		R.ADDE	
DRAWN:		R.ADDE	
CUSTOMER REF.:			
ASSEMBLY DRG:			

HARWIN			THIS DRAWING AND ANY INFORMATION OR DESCRIPTIVE MATTER SET OUT HEREON ARE CONFIDENTIAL AND COPYRIGHT PROPERTY OF THE HARWIN GROUP AND MUST NOT BE DISCLOSED, LOANED, COPIED OR USED FOR MANUFACTURING, TENDERING OR FOR ANY OTHER PURPOSE WITHOUT THEIR WRITTEN PERMISSION.	TOLERANCES X. = ±1mm X.X = ±0.25mm X.XX = ±0.10mm X.XXX = ±0.01mm ANGLES = ±5° UNLESS STATED	MATERIAL: SEE ABOVE FINISH: S/AREA: mm ²	TITLE: SMT CABLE CLIP Ø1.0mm / RG178, RG179, AND RG316 COAX GROUNDING CLIP IN TAPE & REEL DRAWING NUMBER: S8101-46R	SHT 2 OF 2
HARWIN USA TEL: 603 893 5376 FAX: 603 893 5396 mis@harwin.com	HARWIN Europe (UK) TEL: 023 9231 4545 FAX: 023 9231 4590 mis@harwin.co.uk	HARWIN Asia TEL: +65 6 779 4909 FAX: +65 6 779 3868 mis@harwin.com.sg		ASSEMBLY DRG:			