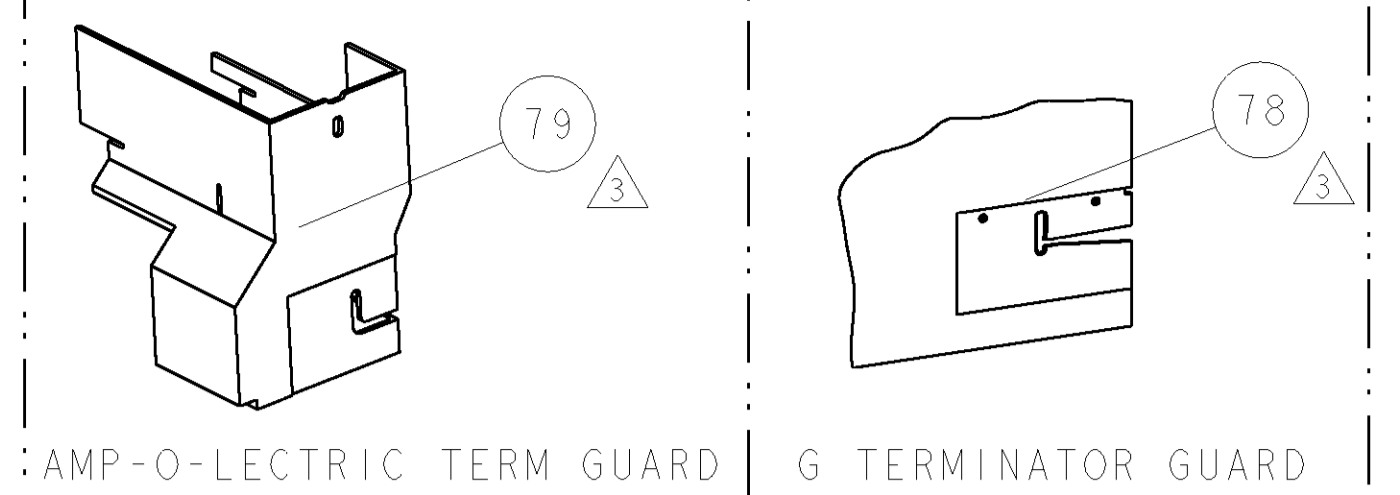
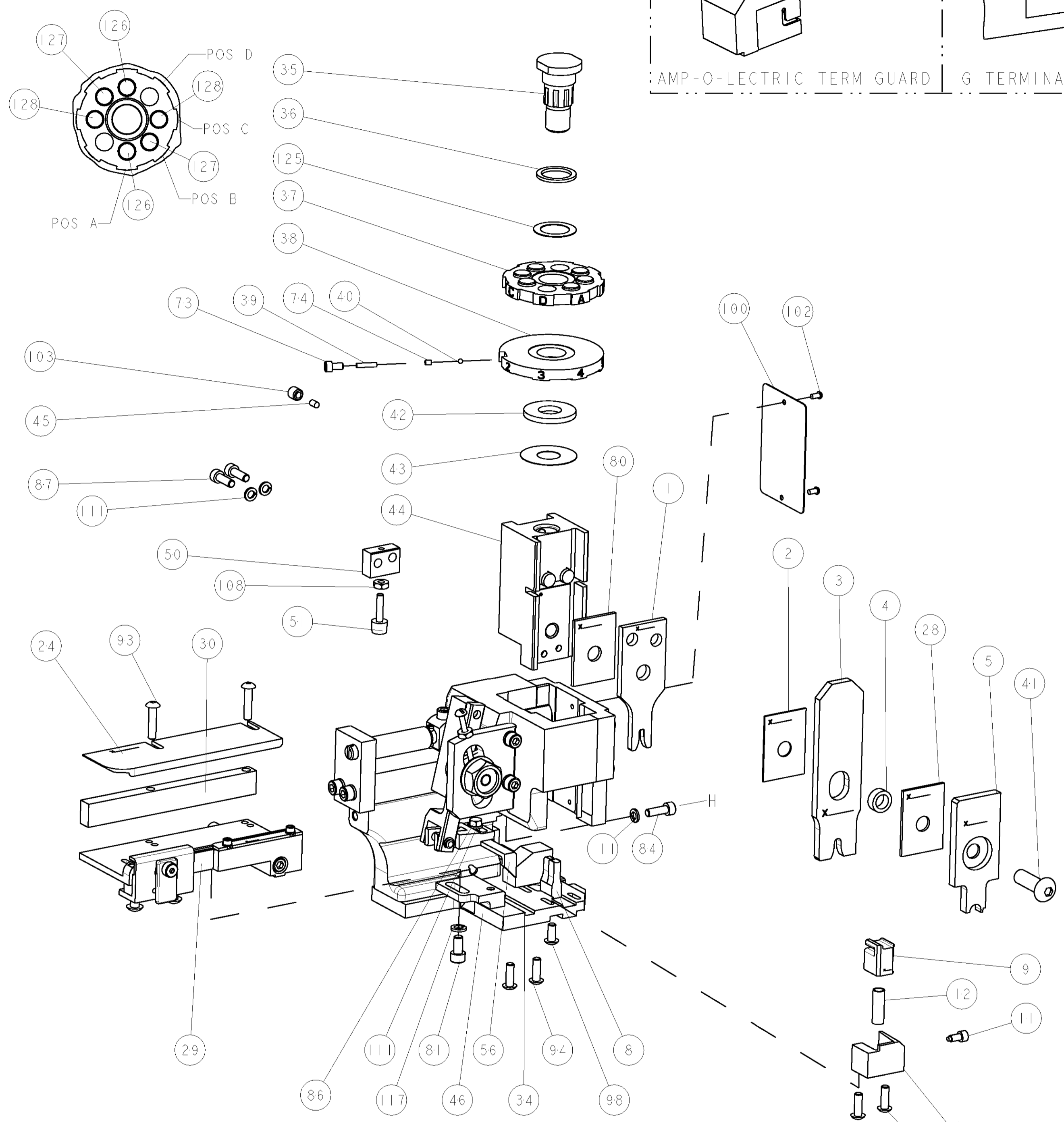


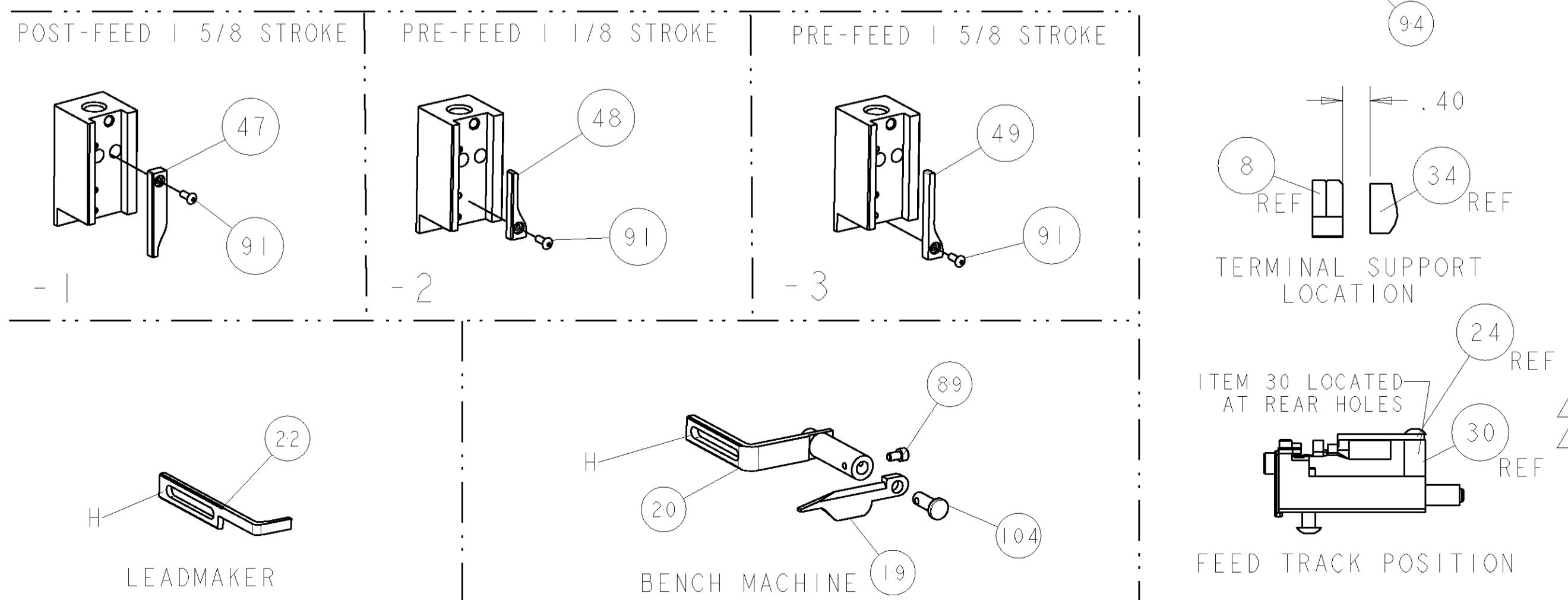
Table with columns: PART NUMBER, REV, FIRST USED, POWER UNIT, FEED TYPE. Rows 1852009-1, 1852009-2, 1852009-3.



Terminal Name: TAB 5.8x0.8. Table with columns: TERMINAL PN, AMP TERMINAL - AMP CRIMP SPECS, CRIMP, SIZE, TYPE, RANGE, WIRE STRIP LENGTH, TERM APPL SPEC, FEED, APPL INSTRUCTIONS, SET UP GAGE.

- △ RECOMMENDED SPARE PARTS
△ GREASE LIGHTLY
△ GUARD MUST BE IN PLACE WHEN OPERATING APPLICATOR IN A BENCH MACHINE
△ CUT SHIM TO MATCH OD OF ITEM 42

Main parts list table with columns: QTY, PART NO, DESCRIPTION, ITEM NO. Rows include various pins, washers, screws, nuts, springs, and guides.



Customer viewable assembly information including revision table, part list continuation, dimensions, tolerances, and company details (tyco Electronics).