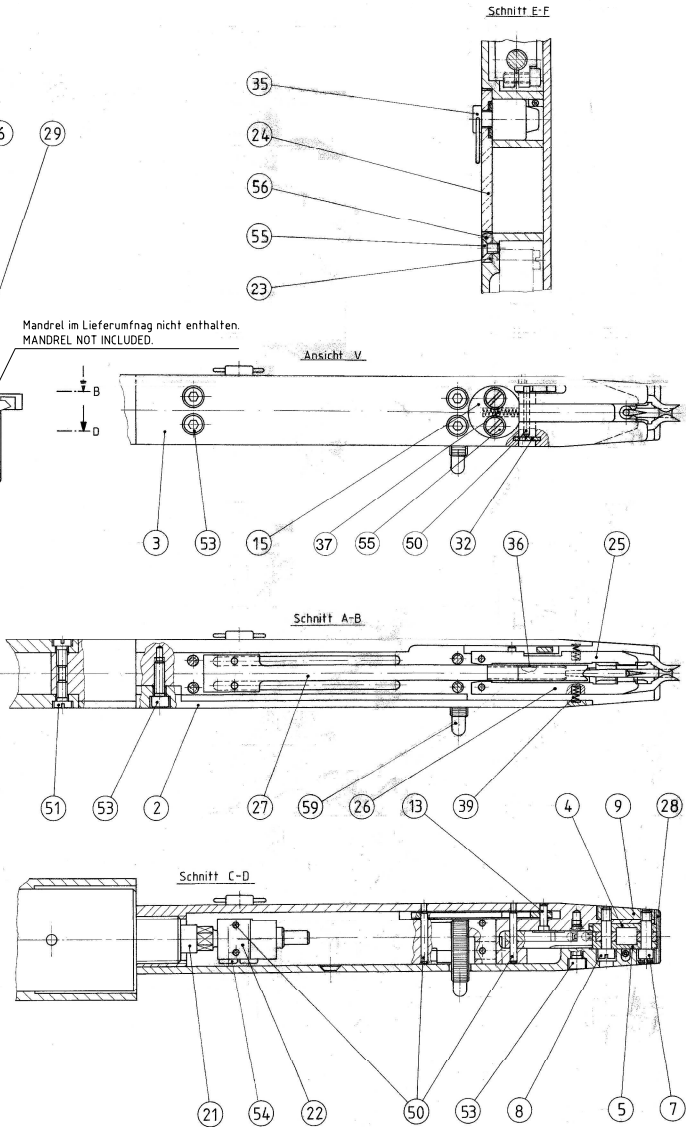
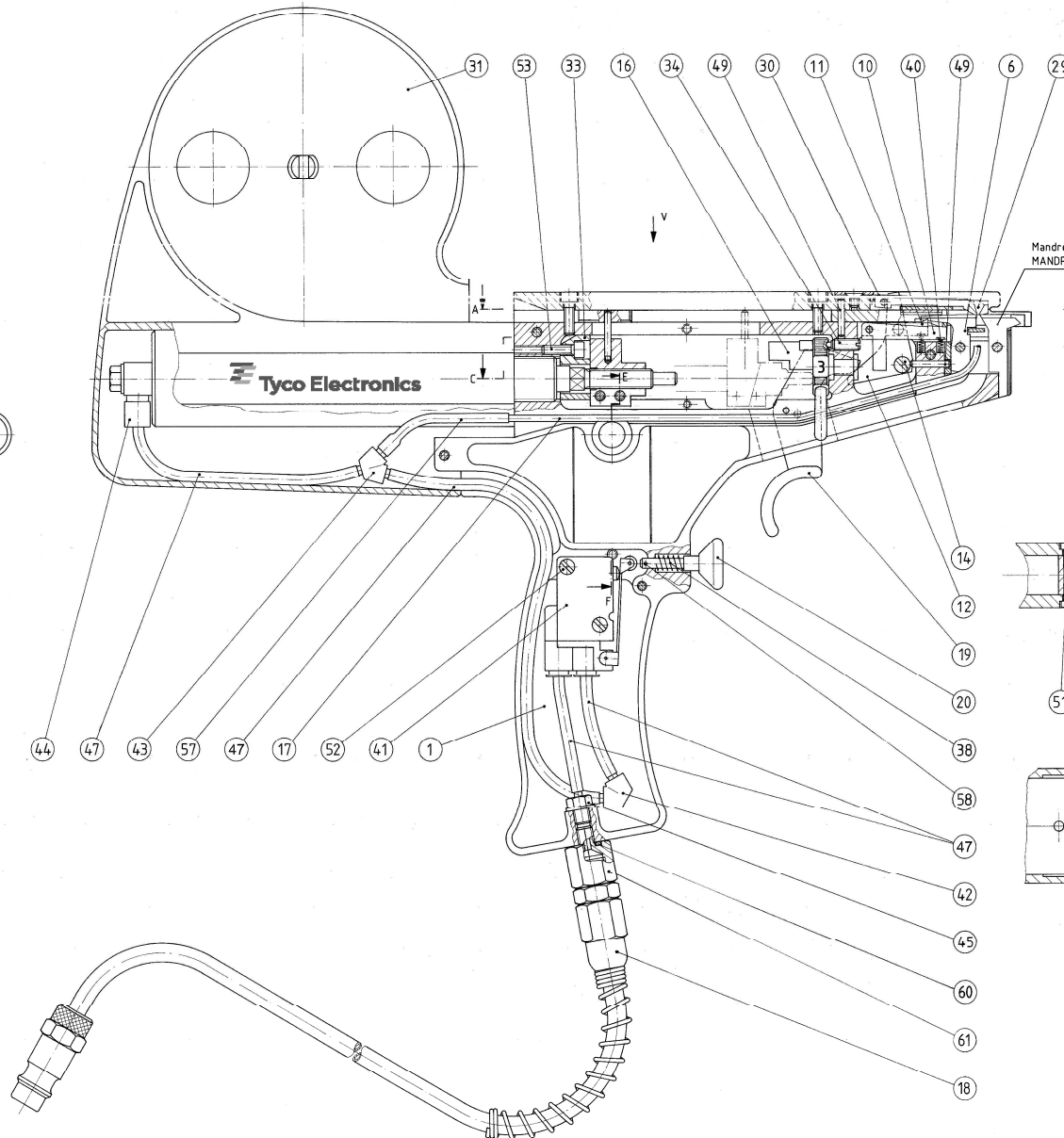
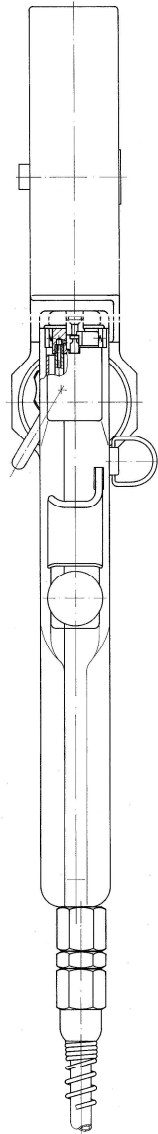


LOC	QTY	REVISIONS			
REV	DATE	DESCRIPTION	DATE	CHK	APP
B		INITIAL REVISION	27OCT09	LS	TW

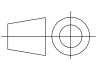



Mandrel im Lieferumfang nicht enthalten.
 MANDREL NOT INCLUDED.

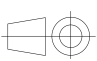

INSTRUCTION SHEET: **412-18008**

THIS DRAWING IS A CONTROLLED DOCUMENT.		DRW: T. Weissgeber 31A0009	Tyco Electronics 44625, Bensheim in Germany
TOLERANCES UNLESS OTHERWISE SPECIFIED:		CHK: T. Weissgeber 31A0009	
DIMENSIONS: mm		PROJ: T. Weissgeber 31A0009	Tyco Electronics AMP Grant
MATERIAL:		SCALE: 1 OF 4	REV: B
APPLICATION SPEC:		SIZE: A1	DATE: 00779
WEIGHT: 0.8800kg		CAGE CODE: 2-871087-4	
CUSTOMER DRAWING		SHEET 1 OF 4	

POS	QTY	TE/PN	REV	DESCRIPTION	S=Spare Parts W=Wear Parts	S	W
1	1	0-0871290-1	B	PISTOLENGEHÄUSE		<input checked="" type="checkbox"/>	<input type="checkbox"/>
2	1	0-0871291-1	B	PISTOLENDECKEL		<input checked="" type="checkbox"/>	<input type="checkbox"/>
3	1	0-0871292-4	A	COVER PISTOLENOBERTEIL		<input checked="" type="checkbox"/>	<input type="checkbox"/>
4	1	0-0871293-1	B	FÜHRUNGSPLATTE LINKS		<input checked="" type="checkbox"/>	<input type="checkbox"/>
5	1	0-0871294-1	C	FÜHRUNGSPLATTE RECHTS		<input checked="" type="checkbox"/>	<input type="checkbox"/>
6	1	0-0871296-6	A	CLIPFÜHRUNG FÜR ISO-Ø 2.0MM		<input checked="" type="checkbox"/>	<input checked="" type="checkbox"/>
7	1	0-0871297-1	A	PAßSCHRAUBE VORNE		<input checked="" type="checkbox"/>	<input type="checkbox"/>
8	1	0-0871298-1	A	PAßSCHRAUBE HINTEN		<input checked="" type="checkbox"/>	<input type="checkbox"/>
9	1	0-0871299-1	A	BEFESTIGUNGSKEIL		<input checked="" type="checkbox"/>	<input type="checkbox"/>
10	1	0-0871300-1	A	VORLAUFSPERRE		<input checked="" type="checkbox"/>	<input checked="" type="checkbox"/>
11	1	0-0871301-1	A	RÜCKLAUFSPERRE		<input checked="" type="checkbox"/>	<input checked="" type="checkbox"/>
12	1	0-0871302-1	A	UMLENKHEBEL		<input checked="" type="checkbox"/>	<input type="checkbox"/>
13	1	0-0871303-1	A	BUNDBOLZEN		<input checked="" type="checkbox"/>	<input type="checkbox"/>
14	1	0-0871304-1	A	GEWINDEBOLZEN		<input checked="" type="checkbox"/>	<input type="checkbox"/>
15	1	0-0871305-1	A	DECKEL		<input checked="" type="checkbox"/>	<input type="checkbox"/>
16	1	0-0871306-1	B	ANSCHLAGWÄHLSCHEIBE		<input checked="" type="checkbox"/>	<input type="checkbox"/>
17	1	0-2030758-8	A	TUBING, CLEAR, 1.2ID KUNSTSTOFFSCHLAUCH, TRANSPA		<input checked="" type="checkbox"/>	<input type="checkbox"/>
18	1	0-0871308-3	A	ADAPTER HOSE ANSCHLUSSSCHLAUCH, BAUGRUPPE		<input checked="" type="checkbox"/>	<input type="checkbox"/>
19	1	0-0871309-1	A	HEBEL		<input checked="" type="checkbox"/>	<input type="checkbox"/>
20	1	0-0871310-1	B	VENTILAUSLÖSER		<input checked="" type="checkbox"/>	<input type="checkbox"/>
21	1	0-0871311-1	D	PNEUM.-ZYLINDER Ø25*48 HUB EINFACHW.		<input checked="" type="checkbox"/>	<input type="checkbox"/>
22	1	0-0871312-1	C	KOLBENSTANGENKOPF		<input checked="" type="checkbox"/>	<input type="checkbox"/>
23	1	0-0871313-1	A	SCHARNIER		<input checked="" type="checkbox"/>	<input type="checkbox"/>
24	1	0-0871314-1	A	FENSTER		<input checked="" type="checkbox"/>	<input type="checkbox"/>
25	1	0-0871315-1	C	PFOSTENFÜHRUNG LINKS		<input checked="" type="checkbox"/>	<input checked="" type="checkbox"/>
26	1	0-0871316-1	C	PFOSTENFÜHRUNG RECHTS		<input checked="" type="checkbox"/>	<input checked="" type="checkbox"/>

REMARKS: FOR WIRE CROSS SECTIONS WITH ISOLATION Ø 2.16MM MAX. WITHOUT MANDREL.										USED ON					
P	LTR	REVISION RECORD				DATE	DWN	APVD	PRINTED	DWN	27AUG09	CHK	27AUG09	APVD	27AUG09
-	A	SEE SHEET 1				-	-	-	27OCT09	WEISSGERBER		WEISSGERBER		WEISSGERBER	
-	B	SEE SHEET 1				-	-	-	WEIGHT	DIMENSION (mm)		MATERIAL		HT TR	
-	-					-	-	-	SEE SHEET 1	SEE SHEET 1		SEE SHEET 1		SEE SHEET 1	
-	-					-	-	-		TOLERANCES UNLESS OTHERWISE SPECIFIED SEE SHEET 1	 tyco Electronics AMP GmbH D-64625 Bensheim SPARE AND WEAR PARTS LIST				
THIS DRAWING IS A CONTROLLED DOCUMENT FOR TYCO ELECTRONICS CORPORATION. IT IS SUBJECT TO CHANGE AND THE CONTROLLING ENGINEERING ORGANIZATION SHOULD BE CONTACTED FOR THE LATEST REVISION. DIESES ZEICHNUNGSDOKUMENT WIRD DURCH TYCO ELECTRONICS CORPORATION KONTROLLIERT. ÄNDERUNGEN DIE DEM TECHNISCHEN FORTSCHRITT DIENEN, SIND VORBEHALTEN. DEN JEWEILS LETZTGÜLTIGEN ÄNDERUNGSSTAND ERFAHREN SIE AUF ANFRAGE												RESTRICTED TO			
NAME MAXI TERMI-POINT PISTOL														-	
SCALE SEE SHEET 1				SIZE A4		DRAWING NO C-2-871087-4				SHEET 2/4		REV B			

POS	QTY	TE/PN	REV	DESCRIPTION	S=Spare Parts W=Wear Parts	S	W
27	1	0-0871317-1	B	CLIPSCHIEBER		<input checked="" type="checkbox"/>	<input checked="" type="checkbox"/>
28	1	0-0871318-1	A	ISOLIERPLATTE		<input checked="" type="checkbox"/>	<input checked="" type="checkbox"/>
29	1	0-0871319-4	A	WIRE HOLDER DRAHTHALTER		<input checked="" type="checkbox"/>	<input type="checkbox"/>
30	1	0-0871320-1	A	BLATTFEDER		<input checked="" type="checkbox"/>	<input type="checkbox"/>
31	1	0-0871321-1	A	CLIPROLLENHALTER		<input checked="" type="checkbox"/>	<input type="checkbox"/>
32	1	0-0871322-1	A	PAßFEDER		<input checked="" type="checkbox"/>	<input type="checkbox"/>
33	1	0-0871323-1	C	ANSCHLAG		<input checked="" type="checkbox"/>	<input type="checkbox"/>
34	1	0-2079326-1	A	PLUNGER DRUCKSTÜCK M4		<input checked="" type="checkbox"/>	<input type="checkbox"/>
35	1	0-0871325-1	A	SCHNELLVERSCHLUSS		<input checked="" type="checkbox"/>	<input type="checkbox"/>
36	1	0-0871326-1	B	VORSCHUBFEDER		<input checked="" type="checkbox"/>	<input checked="" type="checkbox"/>
37	1	9-0653861-9	E	PRESSURE SPRING DRUCKFEDER		<input checked="" type="checkbox"/>	<input checked="" type="checkbox"/>
38	1	3-0653861-4	E	PRESSURE SPRING DRUCKFEDER		<input checked="" type="checkbox"/>	<input checked="" type="checkbox"/>
39	2	9-0653861-8	F	PRESSURE SPRING DRUCKFEDER D-042D		<input checked="" type="checkbox"/>	<input checked="" type="checkbox"/>
40	2	3-0659650-4	A	PRESSURE SPRING DRUCKFEDER		<input checked="" type="checkbox"/>	<input checked="" type="checkbox"/>
41	1	0-2030375-1	A	VALVE MICRO-STÖBELVENTIL S-3-PK3-B		<input checked="" type="checkbox"/>	<input type="checkbox"/>
42	1	0-0993843-1	O	CONNECTOR, VEE, TUBE V-PK-3		<input checked="" type="checkbox"/>	<input type="checkbox"/>
43	1	0-0993844-1	O	CONNECTOR SCHLAUCHVERBINDUNG Y-PK-3		<input checked="" type="checkbox"/>	<input type="checkbox"/>
44	1	0-2079044-1	A	CONNECTOR, ELBOW SCHNELLVERSCHR. LCK-M5-PK-3		<input checked="" type="checkbox"/>	<input type="checkbox"/>
45	1	0-2030331-1	A	CONNECTOR, BARRED STECKNIPPEL N-M5-PK-3		<input checked="" type="checkbox"/>	<input type="checkbox"/>
47	1	0-2030409-3	A	TUBING KUNSTSTOFFSCHLAUCH PU-3-BL		<input checked="" type="checkbox"/>	<input checked="" type="checkbox"/>
49	3	0-0519051-9	A	ZYL.-STIFT 2M6*12 DIN 6325 -ST		<input checked="" type="checkbox"/>	<input type="checkbox"/>
50	5	1-0519051-1	A	ZYL.-STIFT 2M6*16 DIN 6325 -ST		<input checked="" type="checkbox"/>	<input type="checkbox"/>
51	2	2-0519003-2	A	ZYLINDERSCHR. M3*6 DIN 84 -8.8 GAL NI		<input checked="" type="checkbox"/>	<input type="checkbox"/>
52	2	2-0519003-5	A	ZYLINDERSCHR. M3*12 DIN 84 -8.8 GAL NI		<input checked="" type="checkbox"/>	<input type="checkbox"/>
53	8	1-0519000-3	A	ZYLINDERSCHR. M3*10 DIN 912 -10.9 GAL NI		<input checked="" type="checkbox"/>	<input type="checkbox"/>
54	2	1-0519000-2	A	ZYLINDERSCHR. M3*8 DIN 912 -10.9 GAL NI		<input checked="" type="checkbox"/>	<input type="checkbox"/>

REMARKS: FOR WIRE CROSS SECTIONS WITH ISOLATION Ø 2.16MM MAX. WITHOUT MANDREL.										USED ON					
P	LTR	REVISION RECORD				DATE	DWN	APVD	PRINTED	DWN	27AUG09	CHK	27AUG09	APVD	27AUG09
-	A	SEE SHEET 1				-	-	-	27OCT09	WEISSGERBER	WEISSGERBER	WEISSGERBER	WEISSGERBER	WEISSGERBER	
-	B	SEE SHEET 1				-	-	-	WEIGHT	DIMENSION (mm)	MATERIAL	HT TR	SEE SHEET 1	SEE SHEET 1	
-	-					-	-	-	SEE SHEET 1	SEE SHEET 1	SEE SHEET 1	SEE SHEET 1	SEE SHEET 1		
-	-					-	-	-		TOLERANCES UNLESS OTHERWISE SPECIFIED SEE SHEET 1	 tyco Electronics AMP GmbH D-64625 Bensheim SPARE AND WEAR PARTS LIST				
THIS DRAWING IS A CONTROLLED DOCUMENT FOR TYCO ELECTRONICS CORPORATION. IT IS SUBJECT TO CHANGE AND THE CONTROLLING ENGINEERING ORGANIZATION SHOULD BE CONTACTED FOR THE LATEST REVISION. DIESES ZEICHNUNGSDOKUMENT WIRD DURCH TYCO ELECTRONICS CORPORATION KONTROLLIERT. ÄNDERUNGEN DIE DEM TECHNISCHEN FORTSCHRITT DIENEN, SIND VORBEHALTEN. DEN JEWEILS LETZTGÜLTIGEN ÄNDERUNGSSTAND ERFAHREN SIE AUF ANFRAGE										NAME			RESTRICTED TO		
										MAXI TERMI-POINT PISTOL			-		
SCALE				SIZE		DRAWING NO		SHEET		REV					
SEE SHEET 1				A4		C-2-871087-4		3/4		B					

