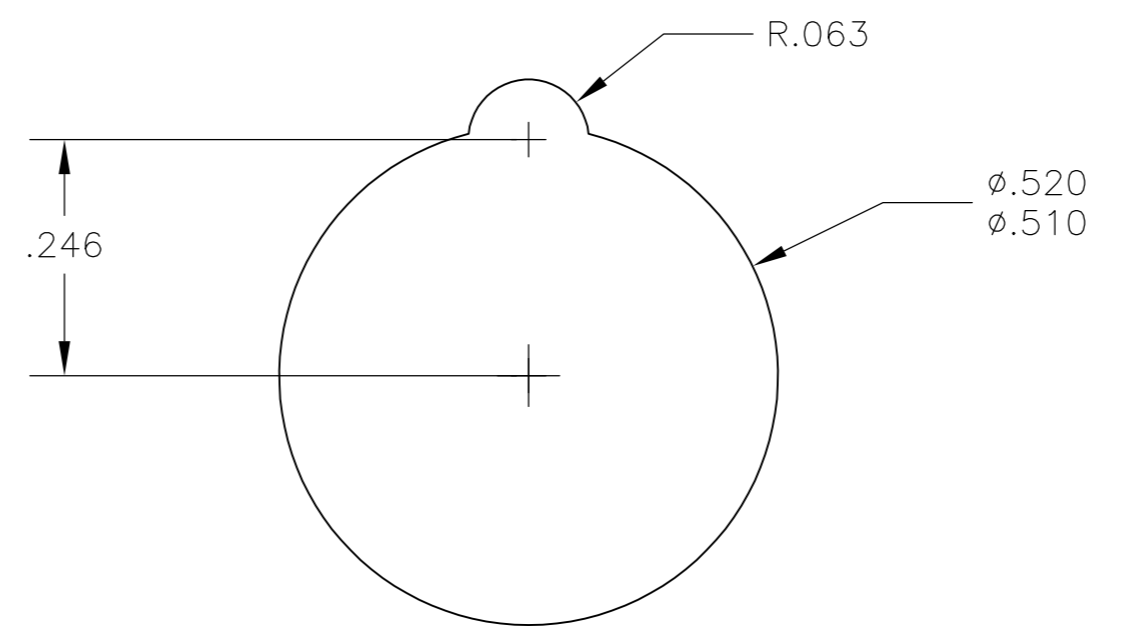


THIS DRAWING IS UNPUBLISHED. RELEASED FOR PUBLICATION  
 © COPYRIGHT BY TYCO ELECTRONICS CORPORATION. ALL INTERNATIONAL RIGHTS RESERVED.

LOC		DIST		REVISIONS			
P	LTR	DESCRIPTION	DATE	DWN	APVD		
DF	S0	L	REV PER ECO-08-019875	15SEP08	PK	DE	



RECOMMENDED CUSTOMER BULKHEAD MOUNTING

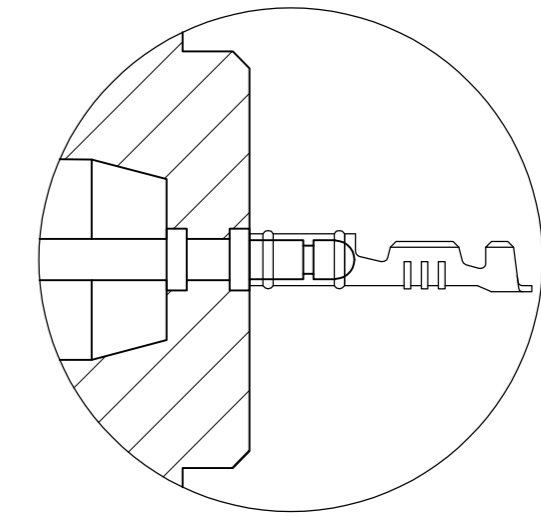


FIG. II

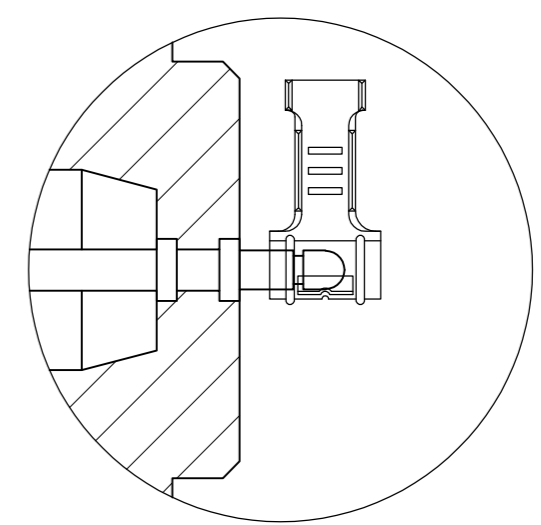


FIG. III

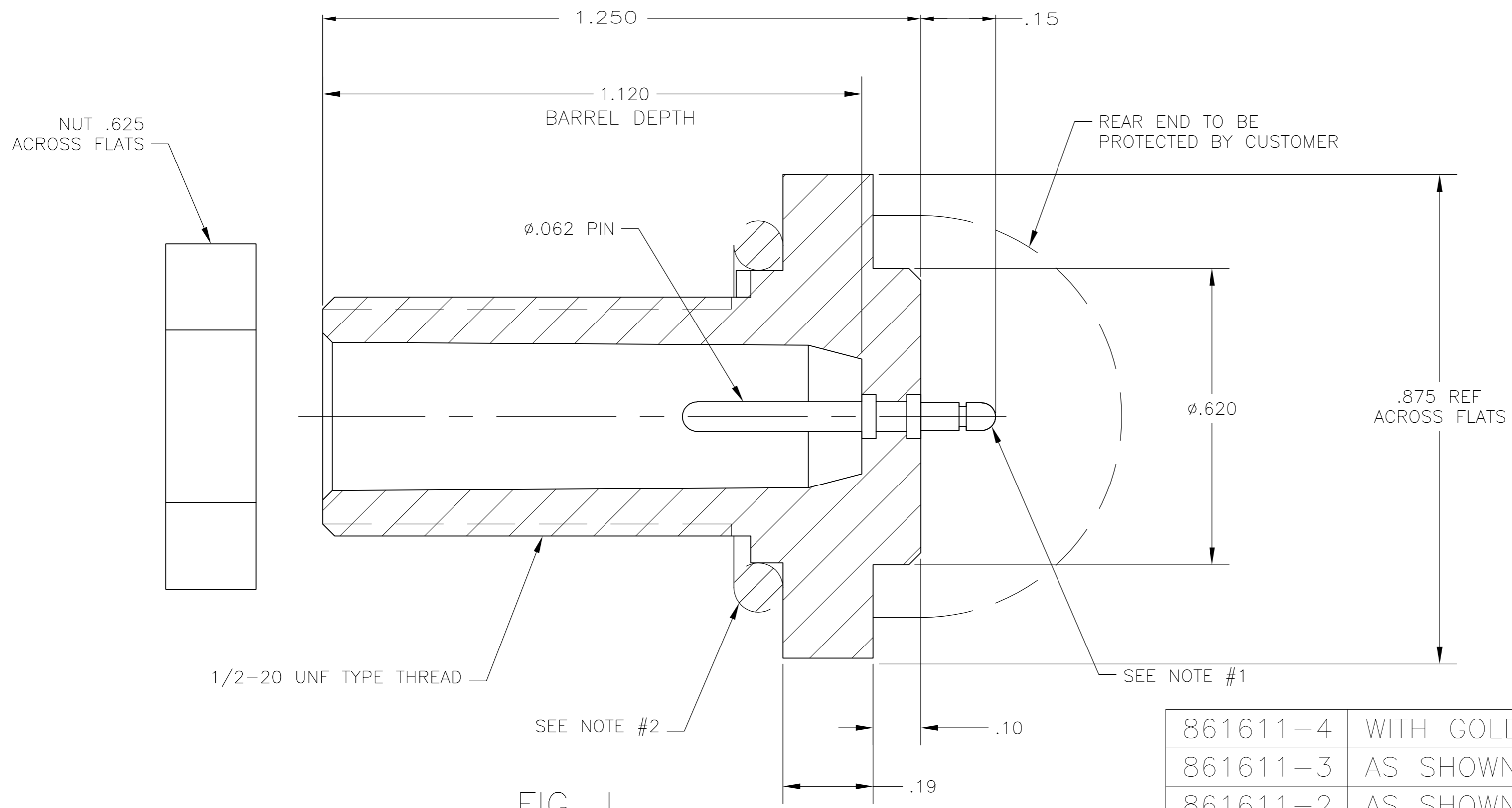


FIG. I

- NOTE:
- DO NOT SOLDER TO PIN: USE SNAP ON SOCKET ONLY.
  - RECOMMENDED "O"RING .612 I.D. X .103 WIDE WHEN REQUIRED (SUPPLIED BY CUSTOMER).
  - USE AMP CRIMP TOOL #90204-1.
  - NUT IS SUPPLIED WITH KIT BUT NOT ASSEMBLED.

PART NO.	DESCRIPTION	FIG. NO.
861611-4	WITH GOLD PLATED STRAIGHT ON SOCKET	II
861611-3	AS SHOWN, WITH RIGHT ANGLE SOCKET	III
861611-2	AS SHOWN, WITH STRAIGHT ON SOCKET	II
861611-1	AS SHOWN, NO SOCKET	I

THIS DRAWING IS A CONTROLLED DOCUMENT.		DWN	J. KAISER	1/12/04	Tyco Electronics Corporation Harrisburg, PA 17105-3608		
DIMENSIONS: INCHES		CHK	D. EABY		NAME		
TOLERANCES UNLESS OTHERWISE SPECIFIED:		APVD	D. EABY		PRODUCT SPEC		
0 PLC ± - 1 PLC ± - 2 PLC ± .01 3 PLC ± .005 4 PLC ± - ANGLES ± -		APPLICATION SPEC			SIZE	CAGE CODE	DRAWING NO
MATERIAL	POLYESTER	FINISH	BLACK	WEIGHT	-	A2	00779
CUSTOMER DRAWING				SCALE	5:1	SHEET	1 of 1
				REV	L	RESTRICTED TO	